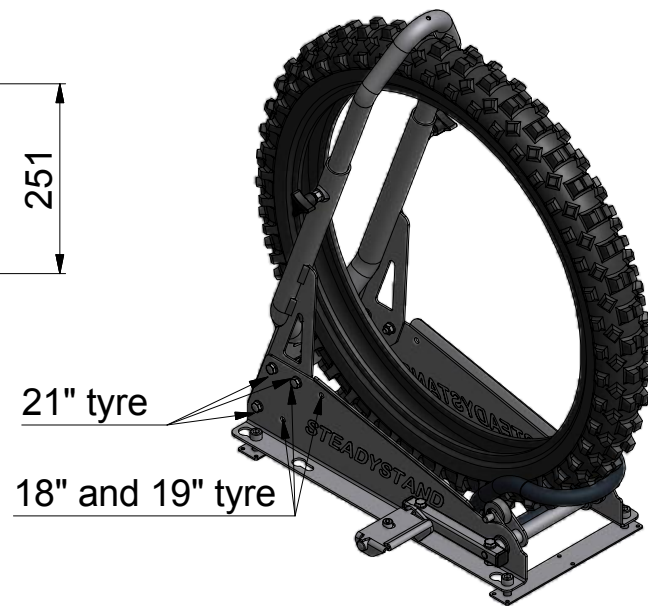
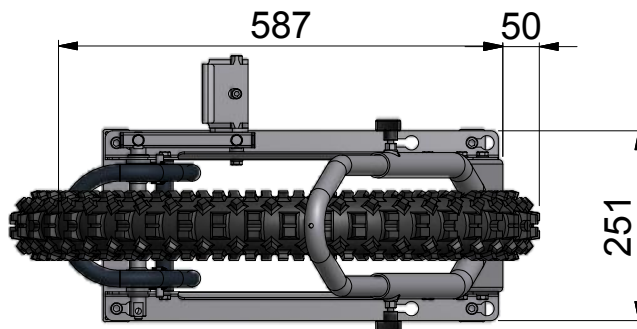


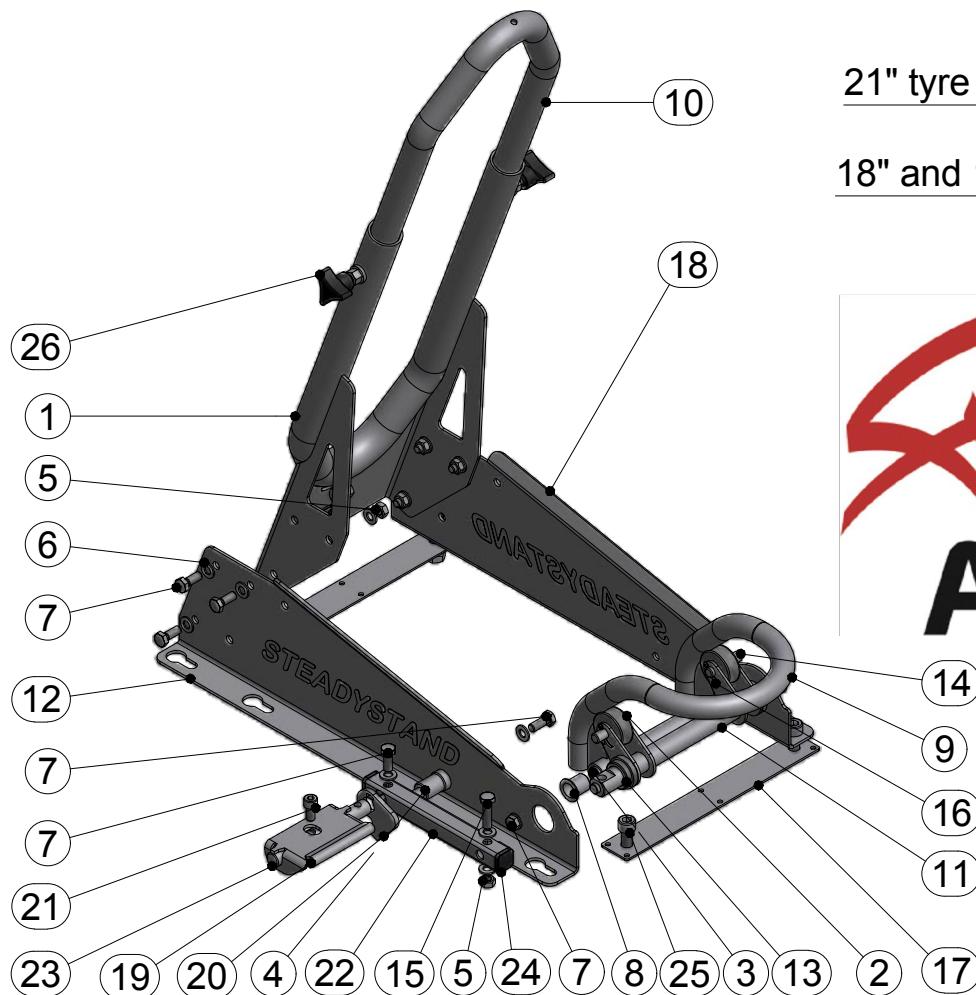
# STEADY STAND CROSS

Model 190

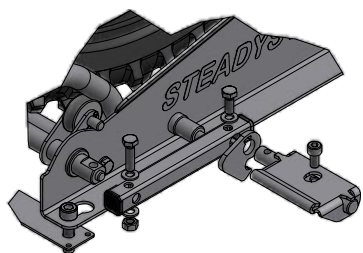


Designed by Aceproducts b.v.

26	2	Star Knob
25	4	Din912 M10x30
24	2	Tube cap 20x20
23	1	Shaft padel
22	1	Tube 20x20
21	1	Din912 M8x16
20	1	Fixation plate
19	1	Padel
18	1	Sideframe Left
17	2	Nut plate
16	4	Slit pin 2.5x16
15	1	Bolt M8x30
14	2	Shaft roller
13	2	Bearing 20
12	1	Sideframe Right
11	1	Shaft roller
10	1	Front tube 2
9	1	Clamping tube rear
8	2	Bearing 1517/20
7	10	Bolt M8x20
6	18	Washer 8
5	7	Hex nut M8
4	1	Axle end
3	1	Shaft 15
2	2	Roller
1	1	Front tube 1
lte	QTY	Description



**Assembly choice**  
Padel left or right position



De Steenmaat 4  
NL-7783DE  
Gramsbergen  
Holland

[WWW.ACEBIKES.NL](http://WWW.ACEBIKES.NL)