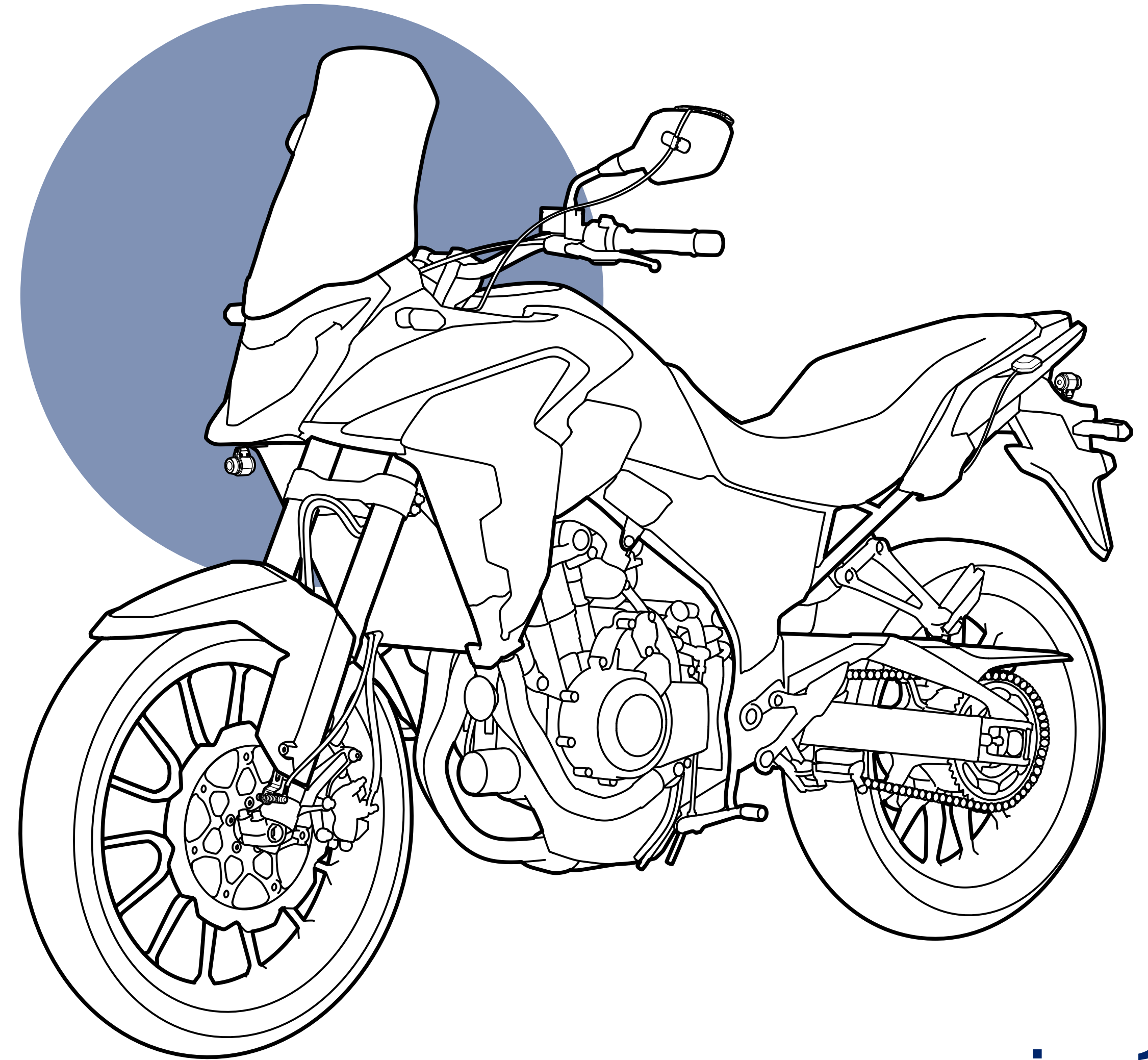
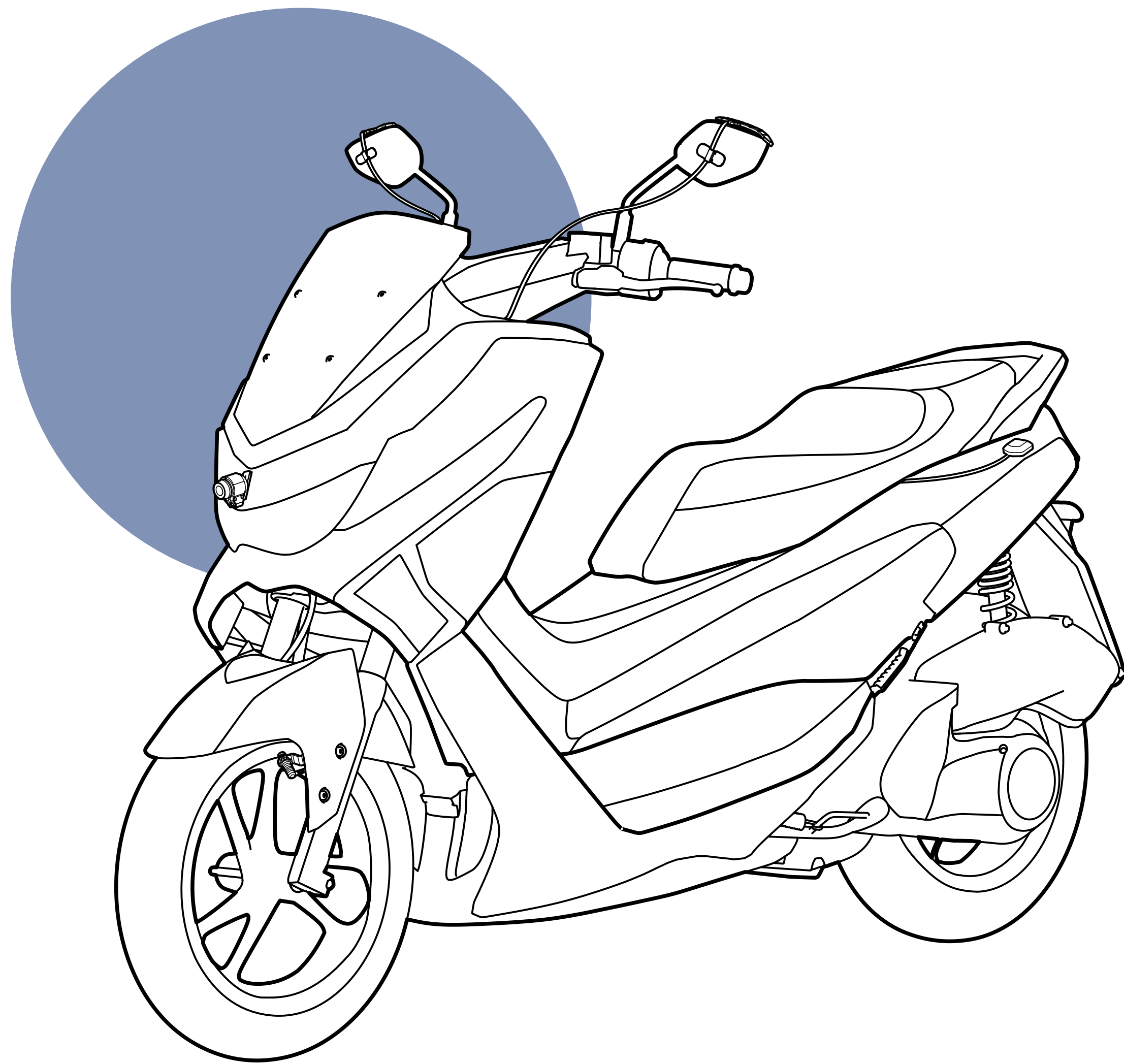


# **RIDEVISION**

**Saving Riders' Lives**

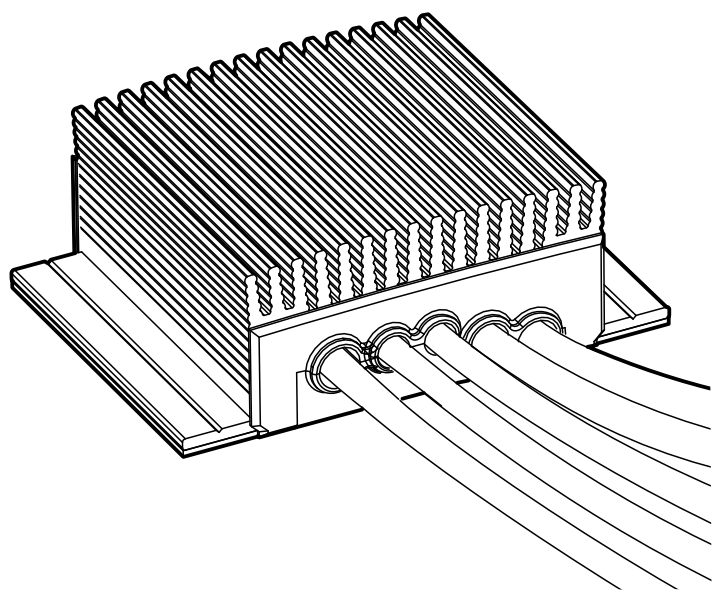
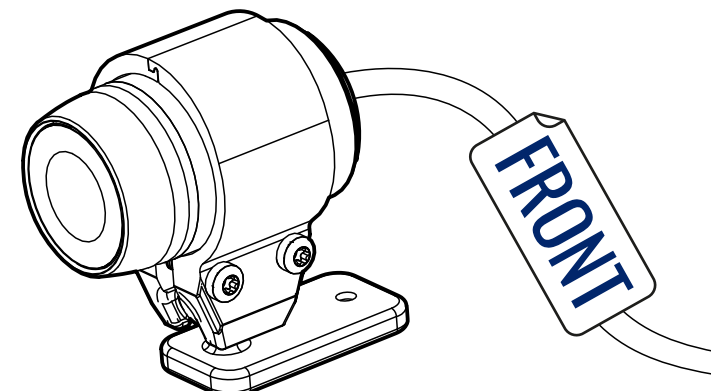
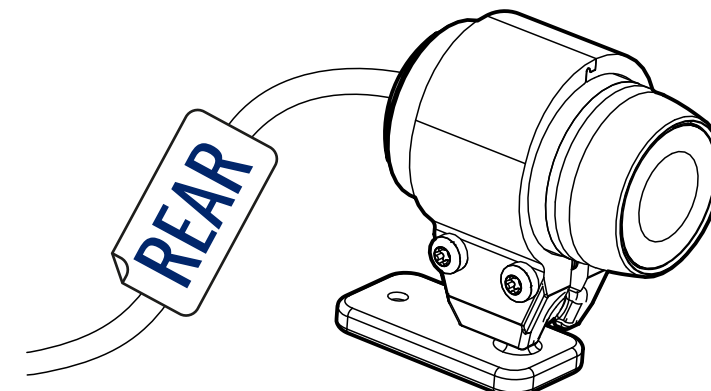
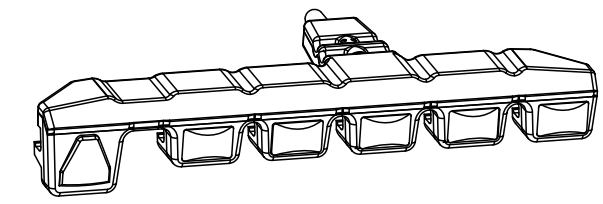
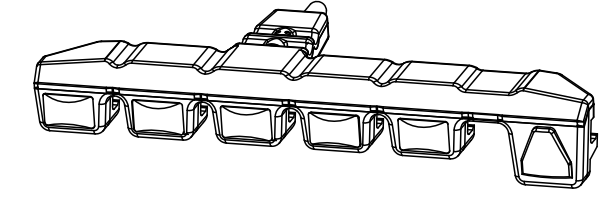
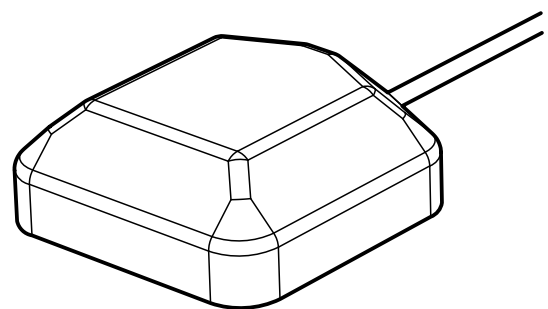
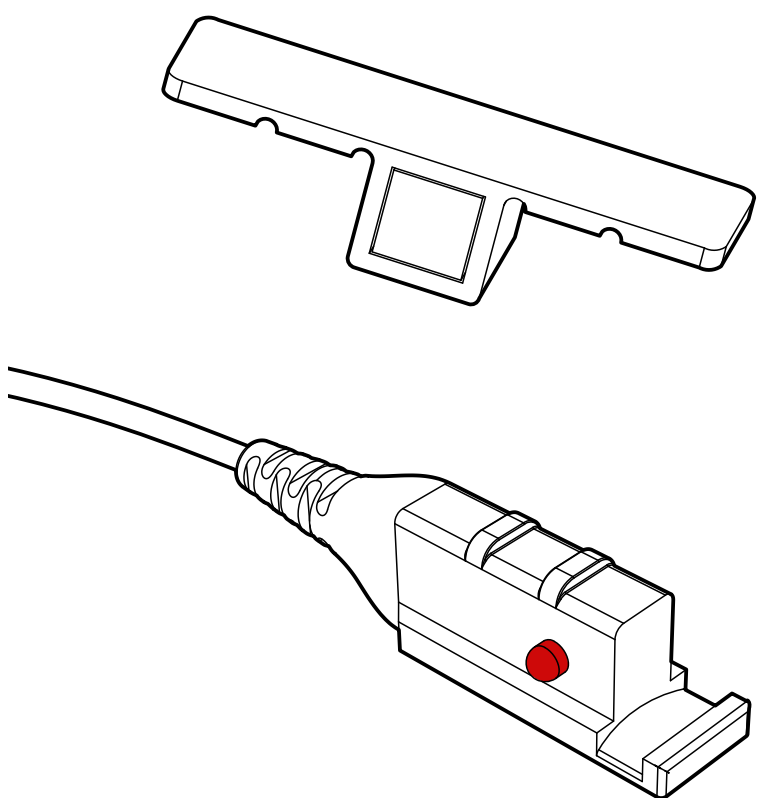
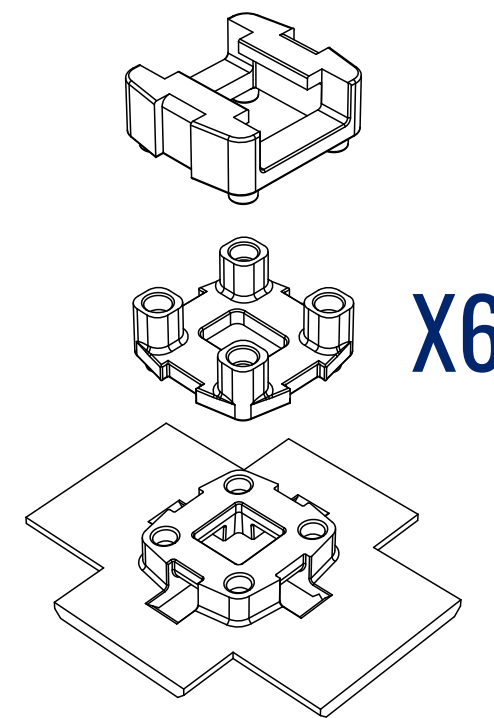
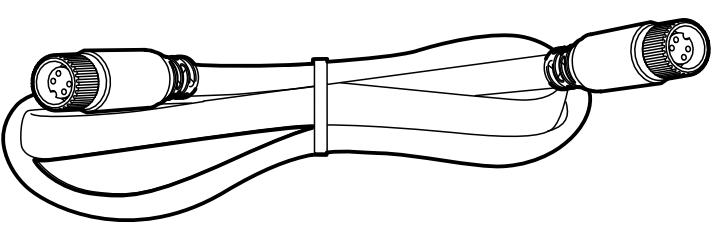
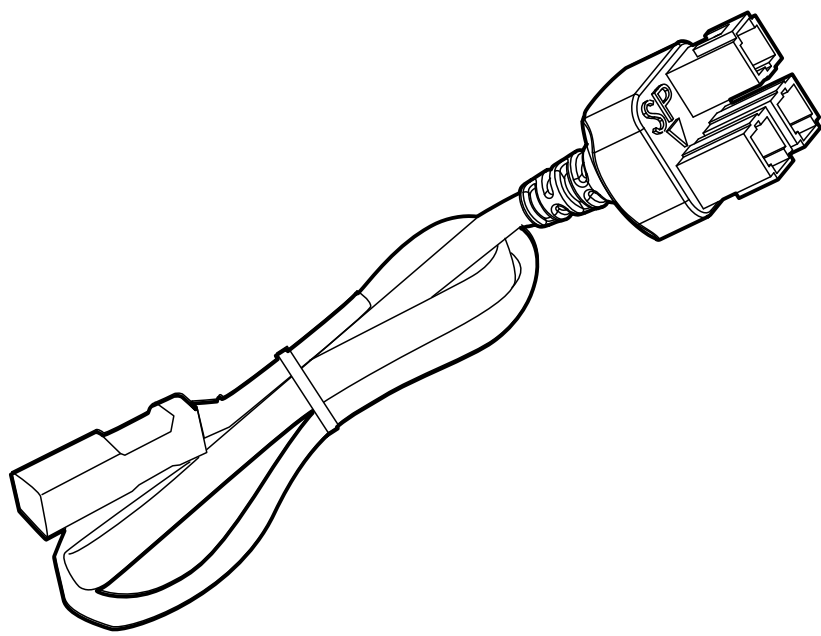
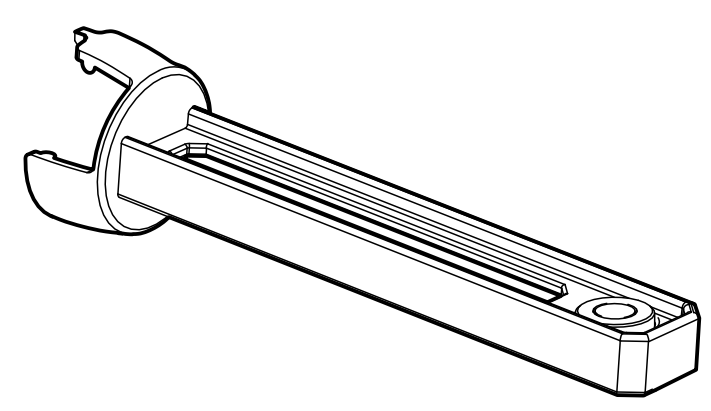
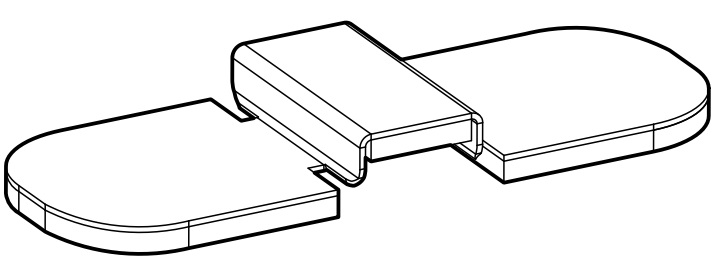
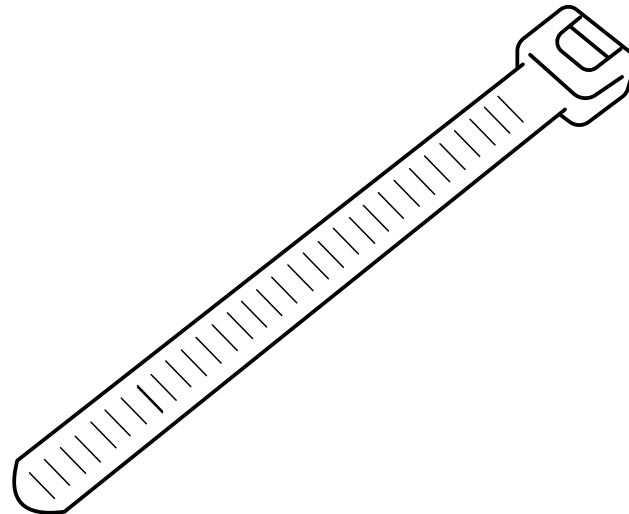
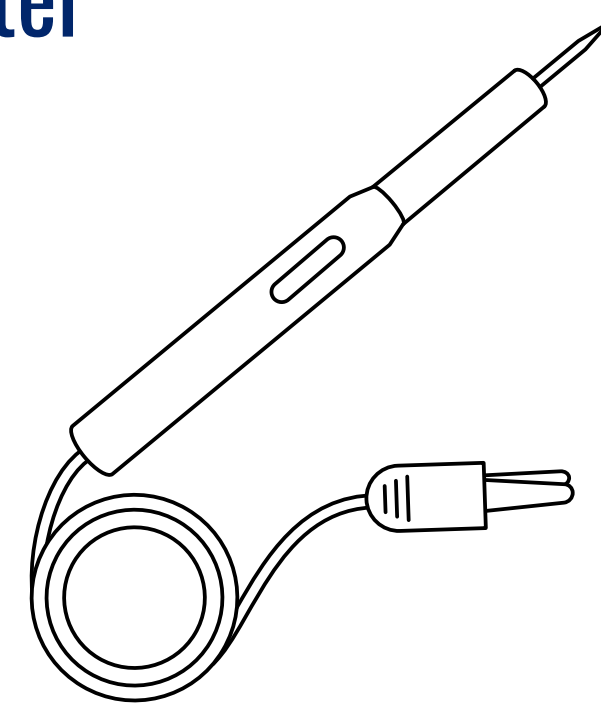
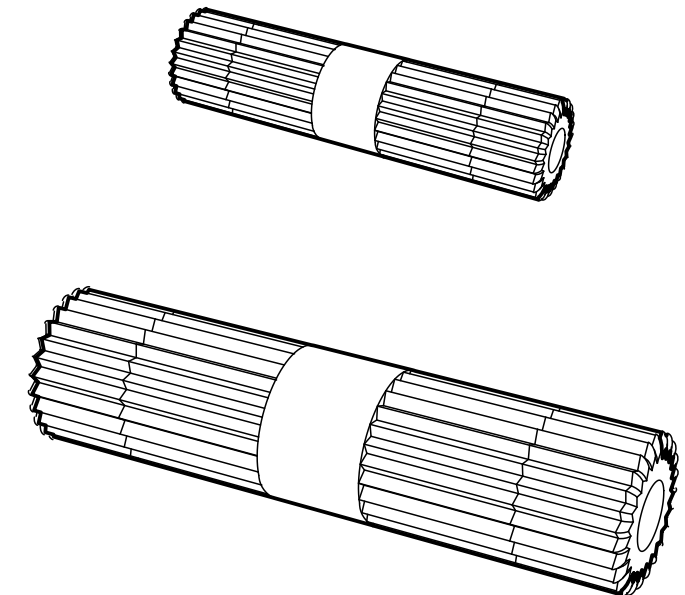

## **RV 2 Installation Manual**



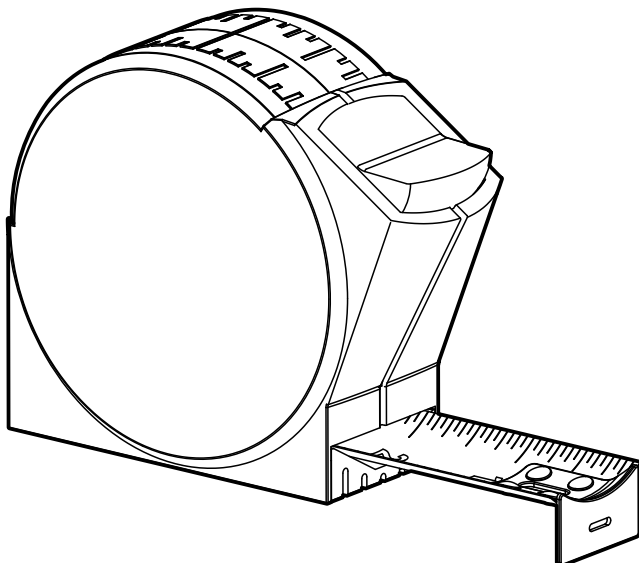
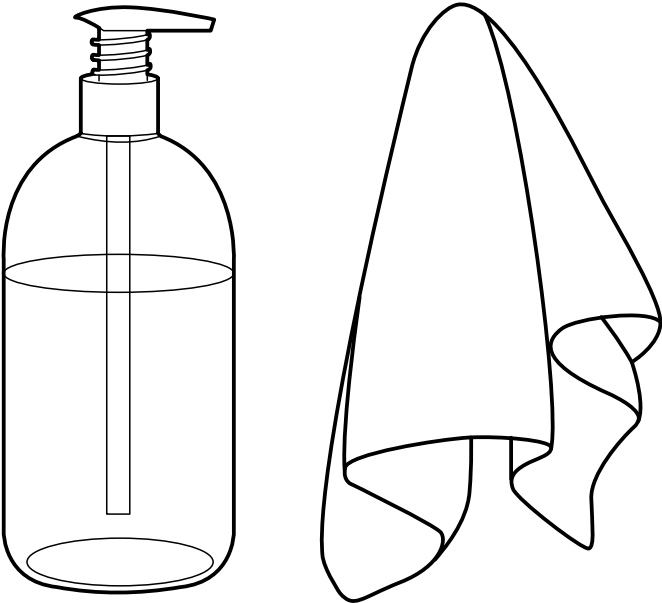
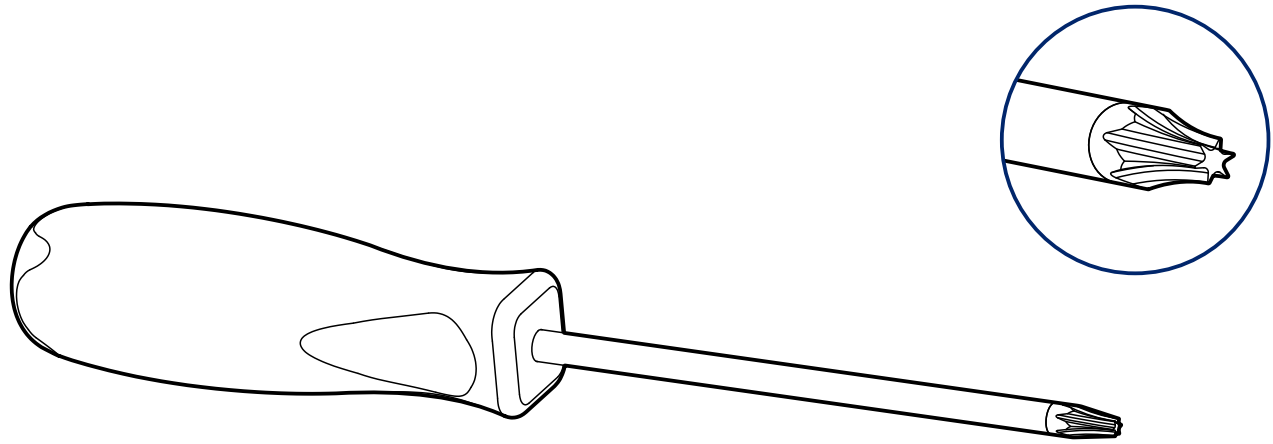
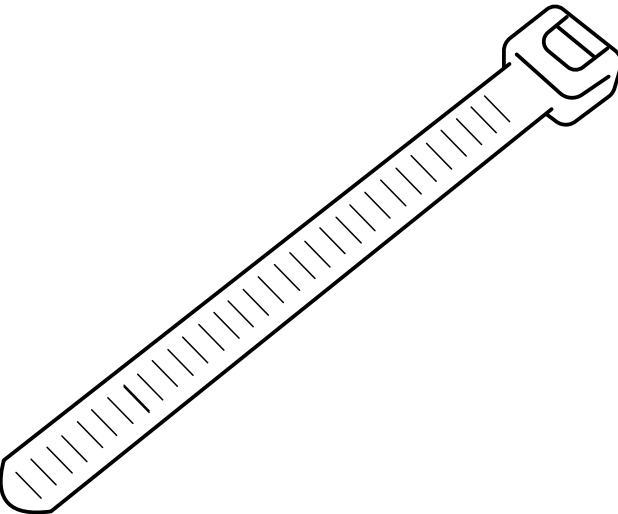
**version 1.1**



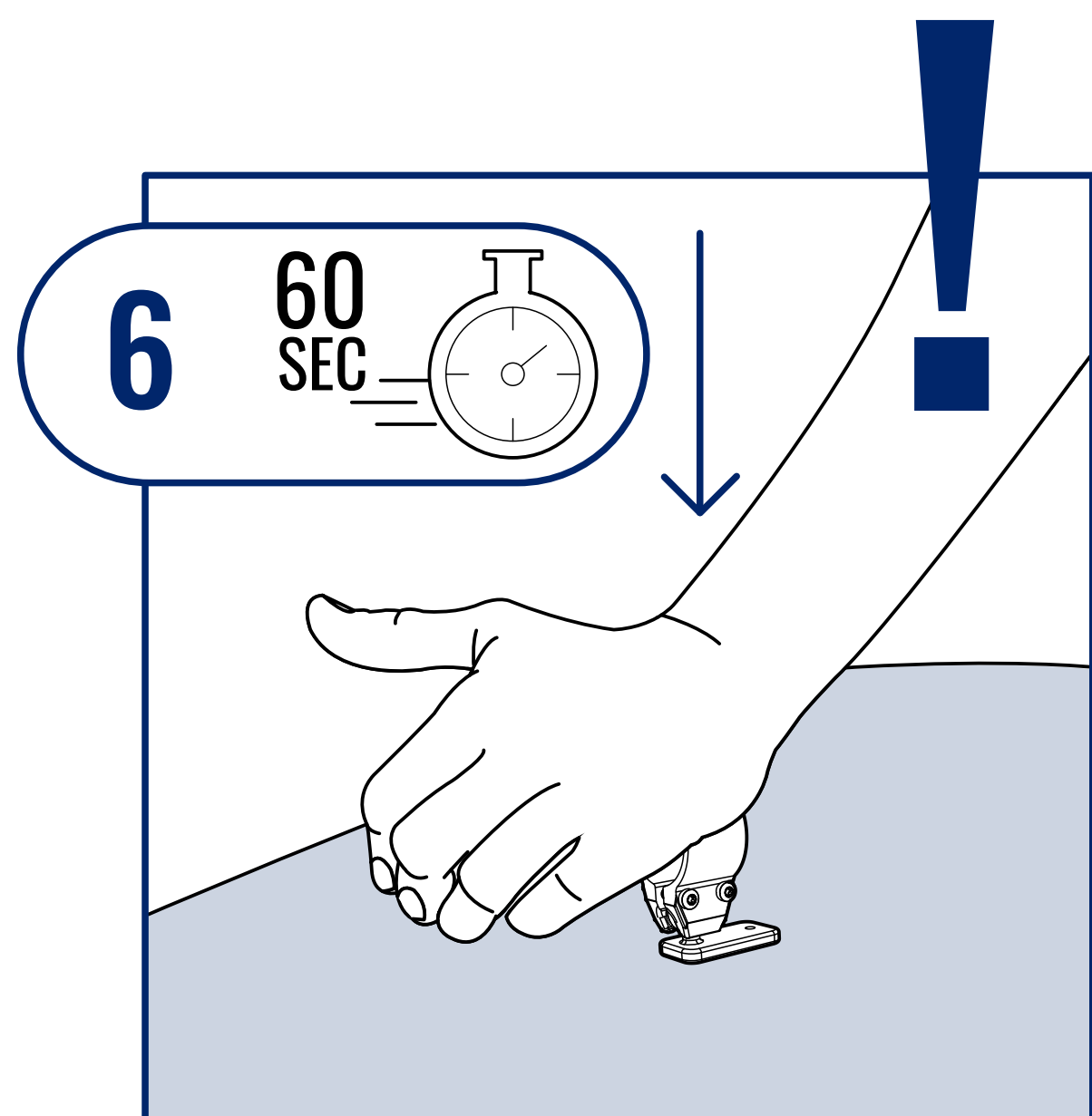
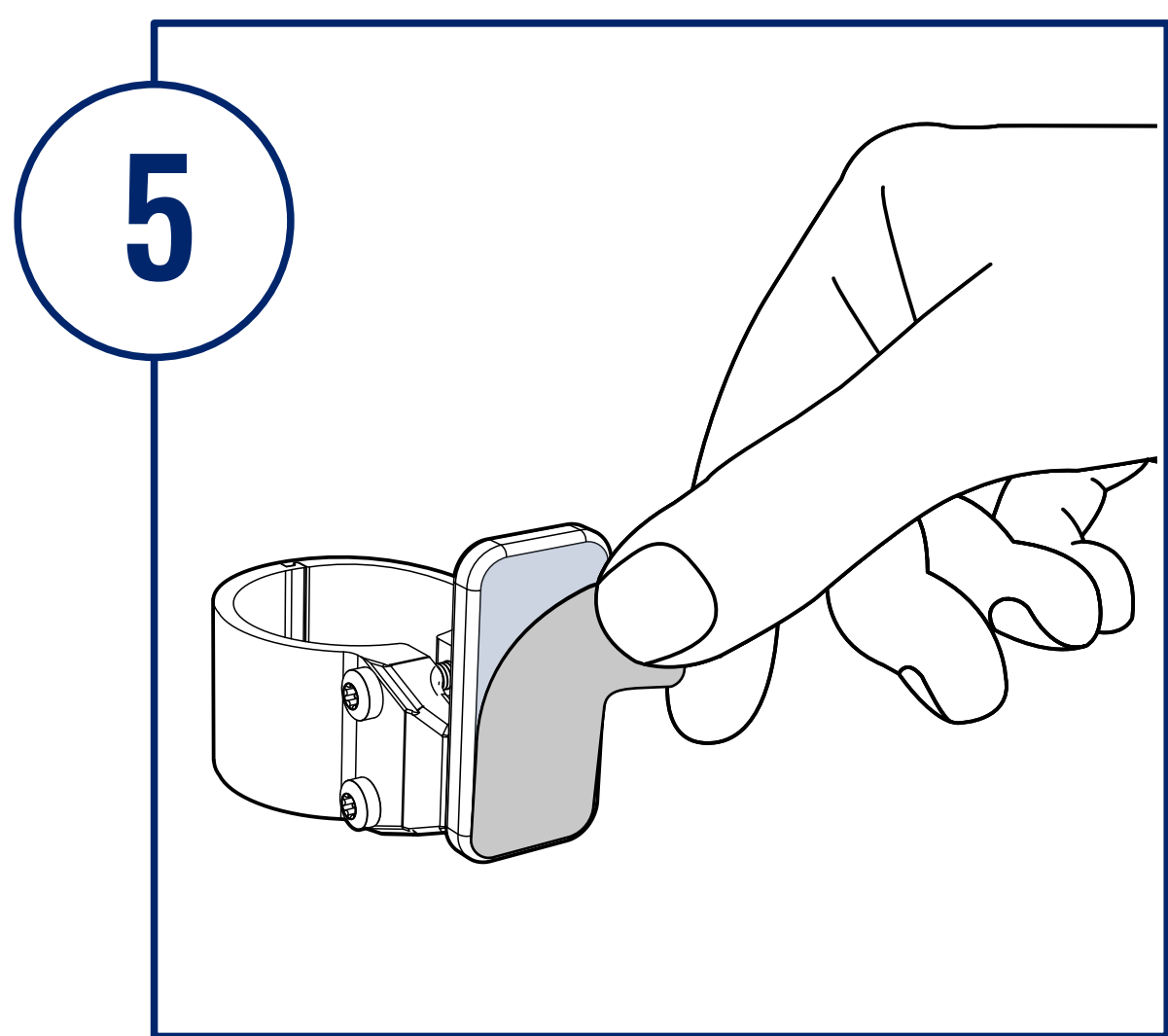
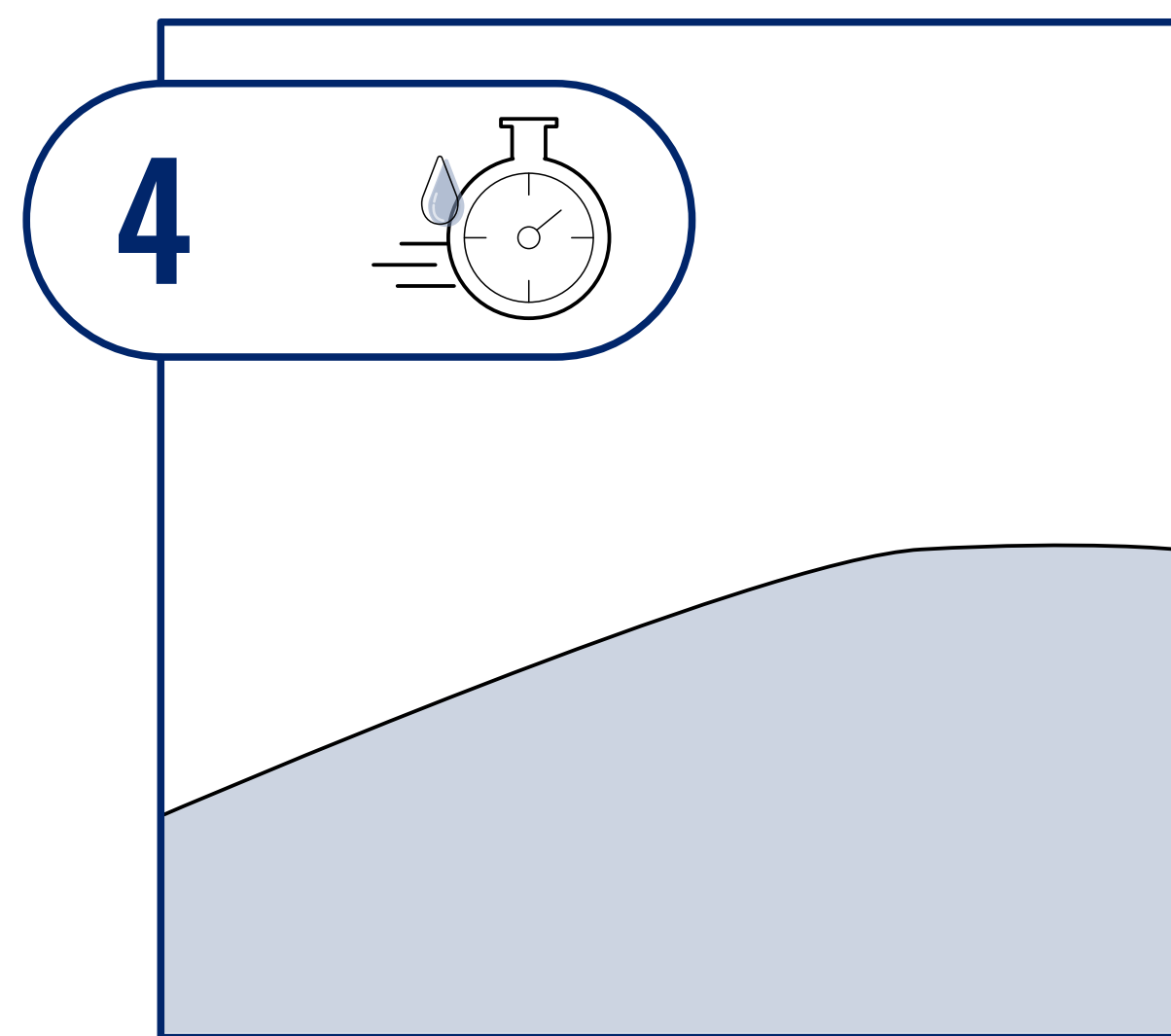
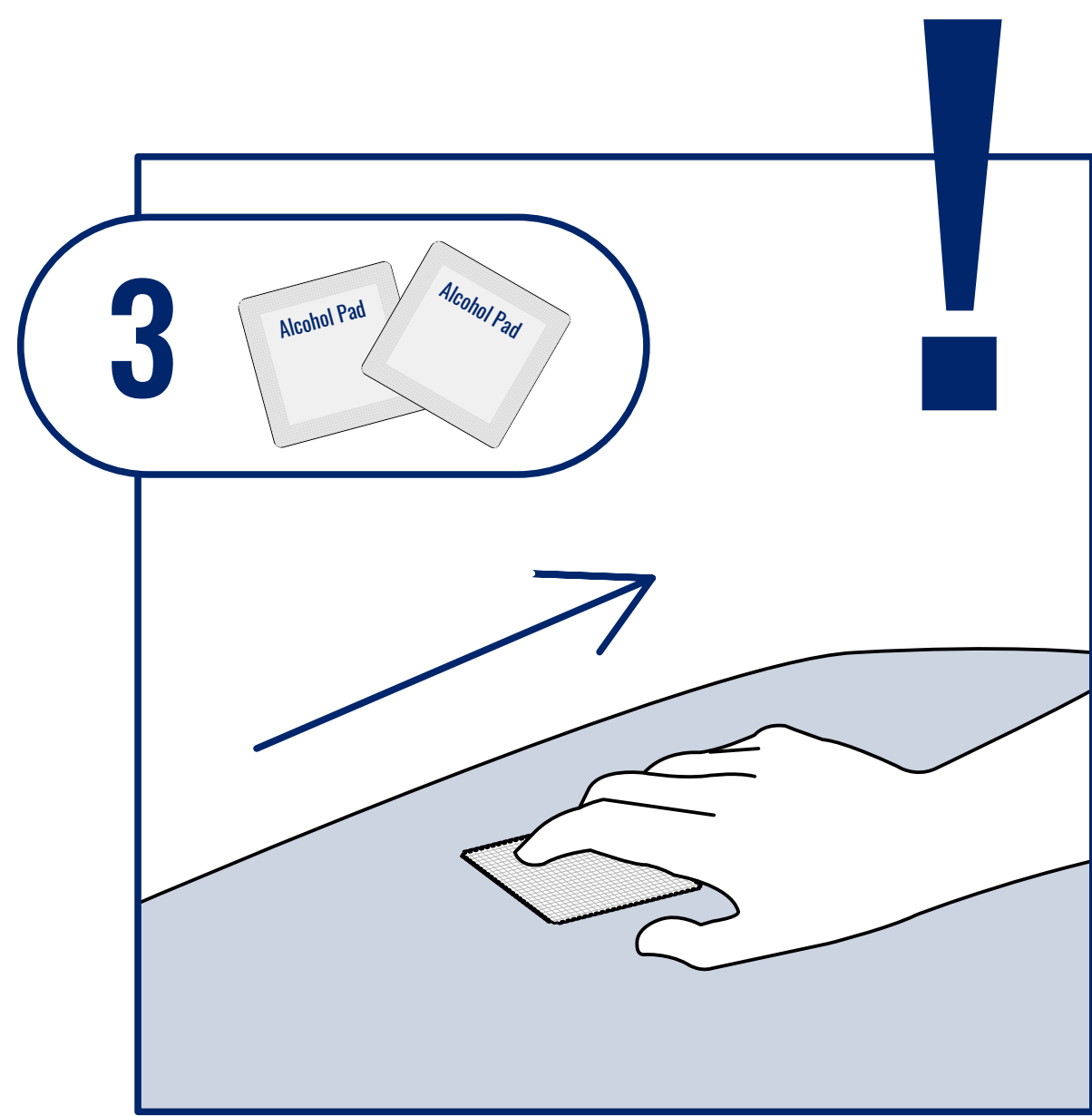
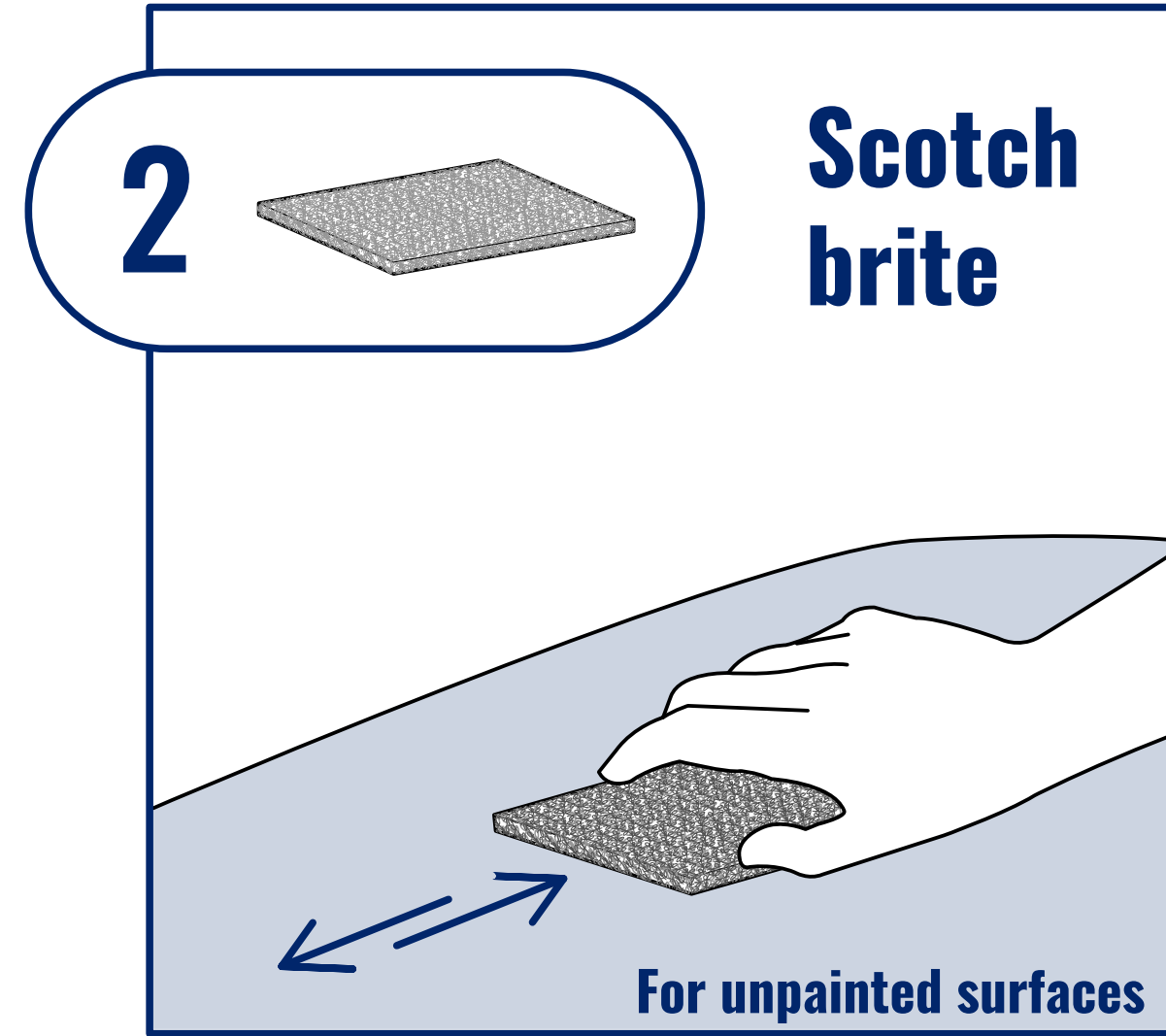
# Ride Vision 2 Content

	<p><b>Front camera</b></p> 	<p><b>Rear camera</b></p> 	<p><b>Left indicator</b></p>  <p><b>Right indicator</b></p> 	
				
<p><b>X2</b></p> 		<p><b>Tester</b></p> 		

# Tools

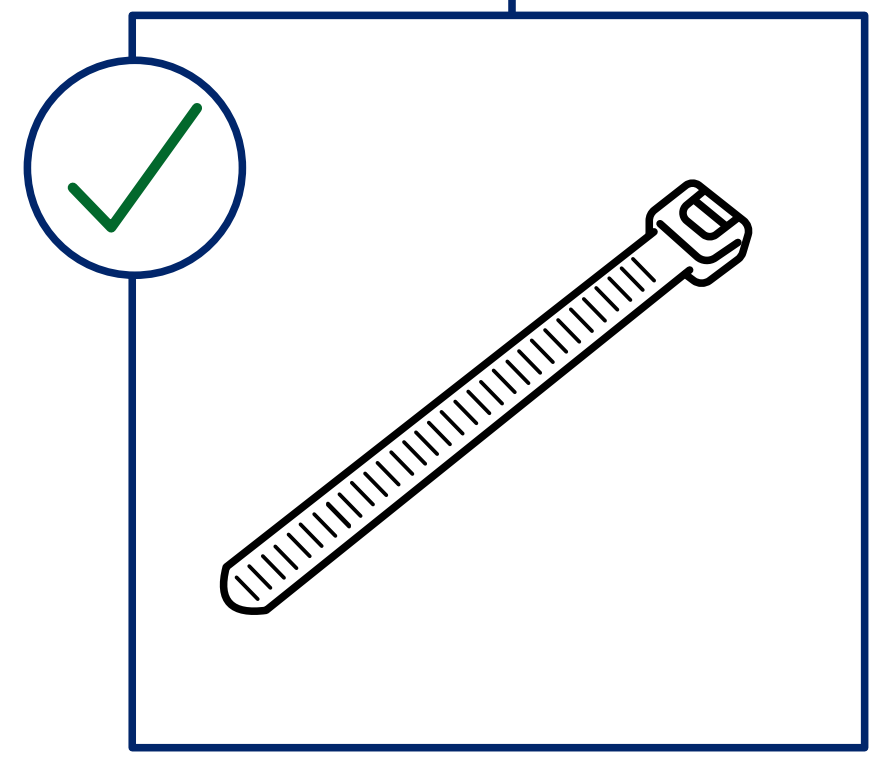
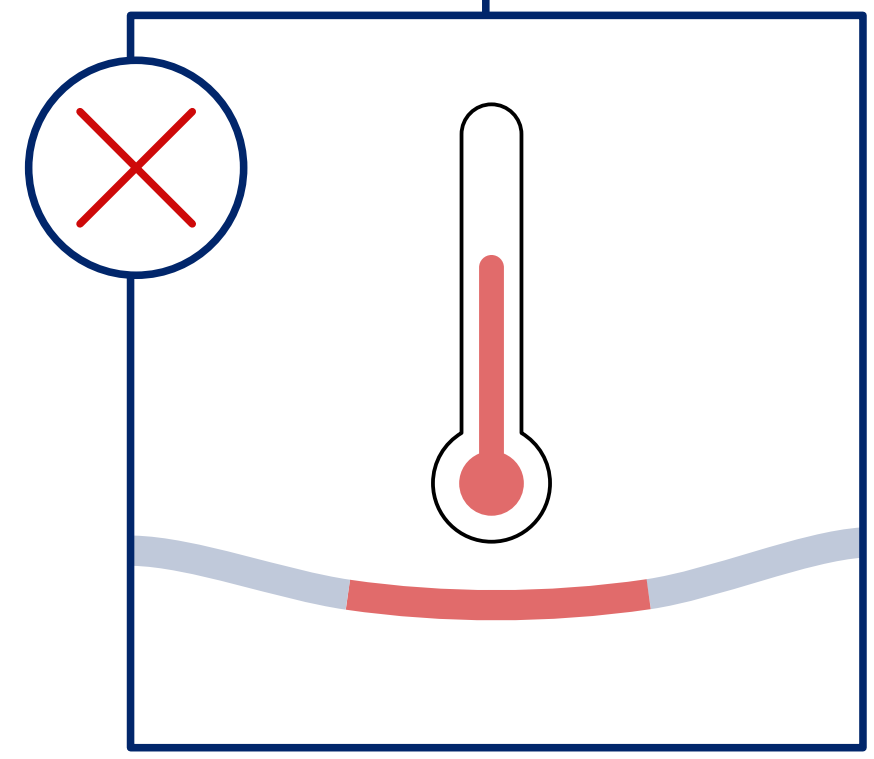
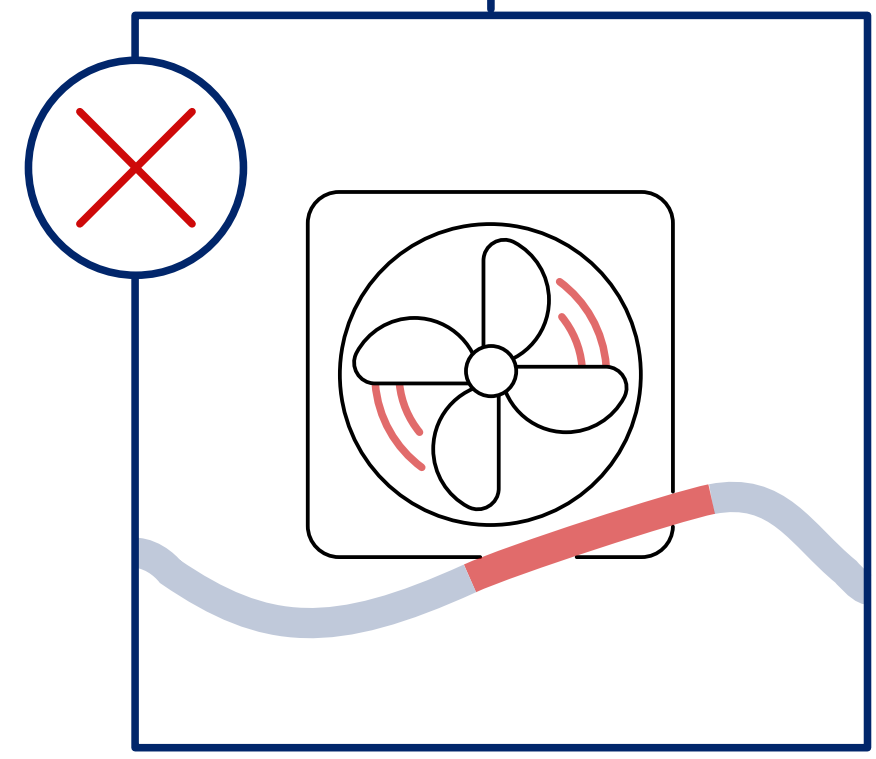
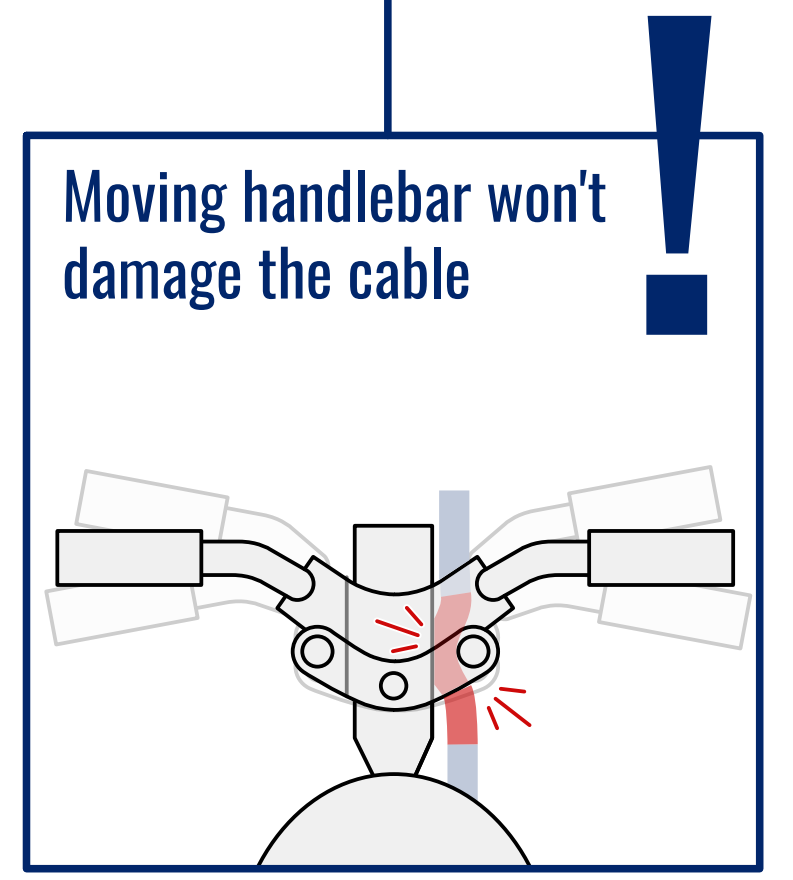
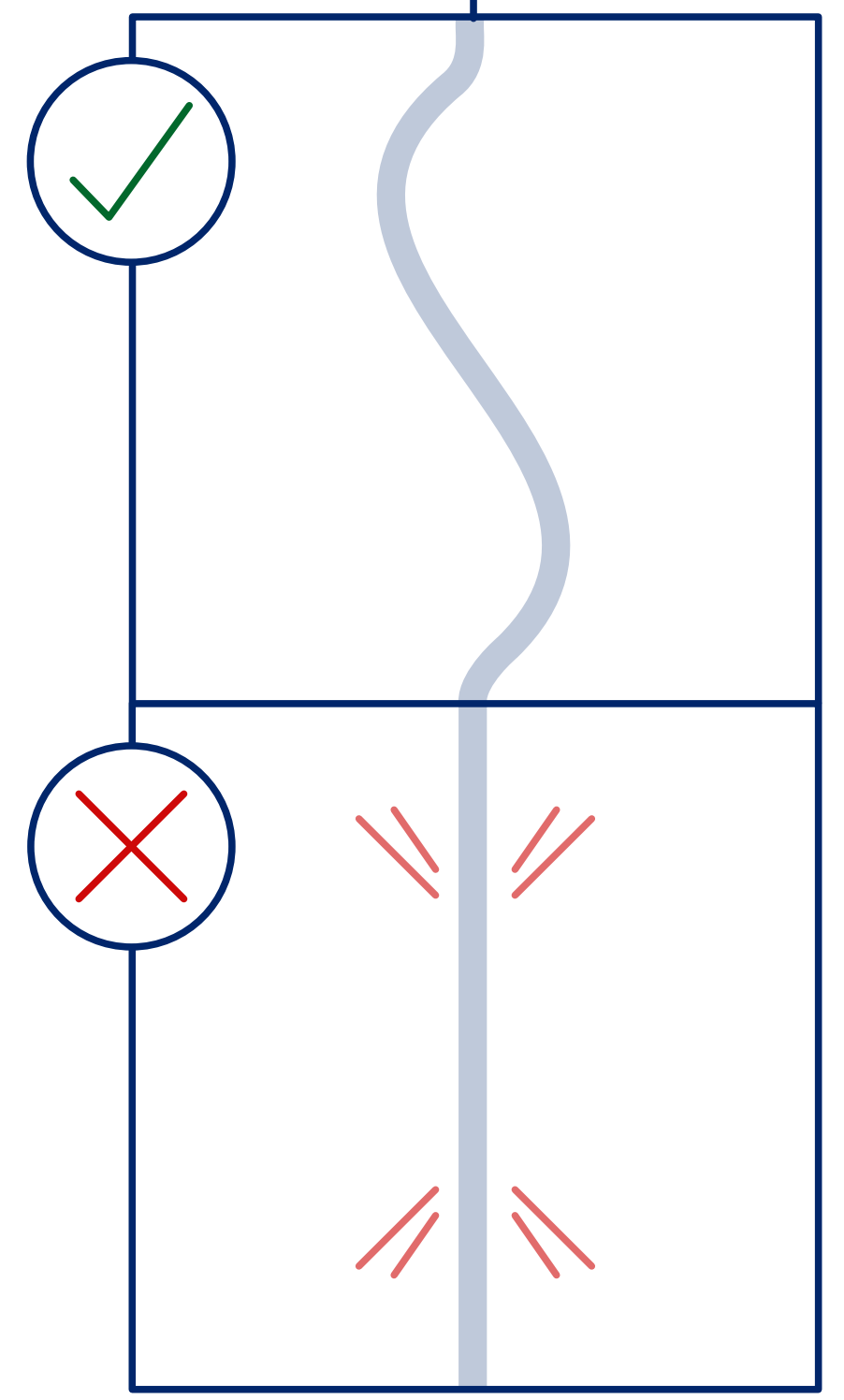
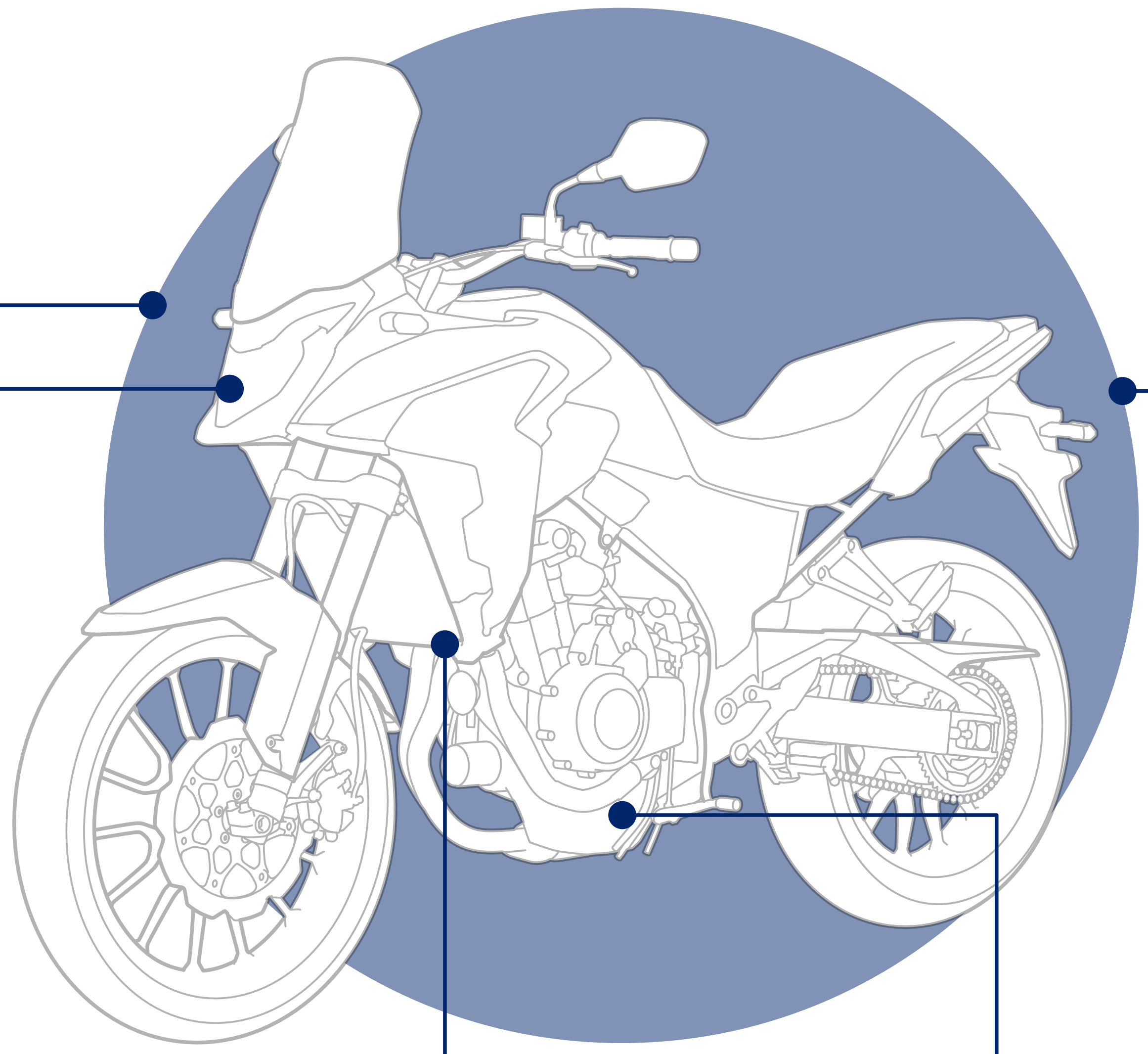
 <p>Measuring tape</p>	
 <p>TORX T10</p>	

# Adhesive Usage Guide



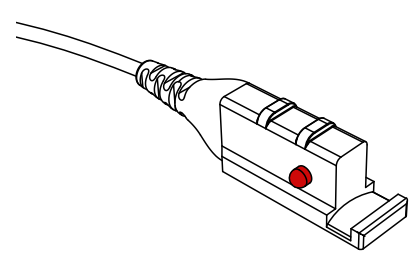


# Wiring Guide

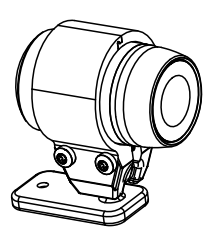


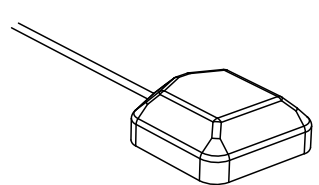


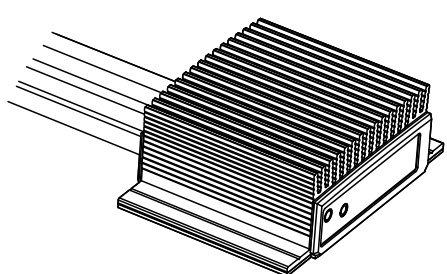
**1** -  **Alert indicators**

**2** -  **Speed sensor**

**3** -  **Front camera**

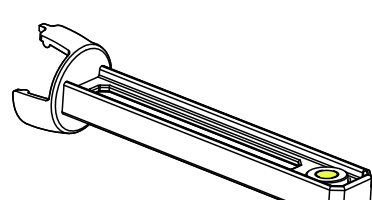
**4** -  **Rear camera**

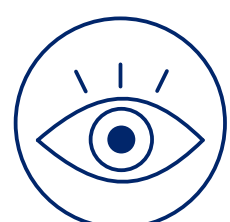
**5** -  **GPS**

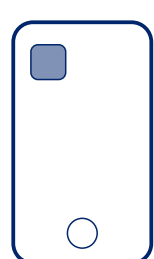
**6** -  **Main unit**

**7** -  **Cable connection**

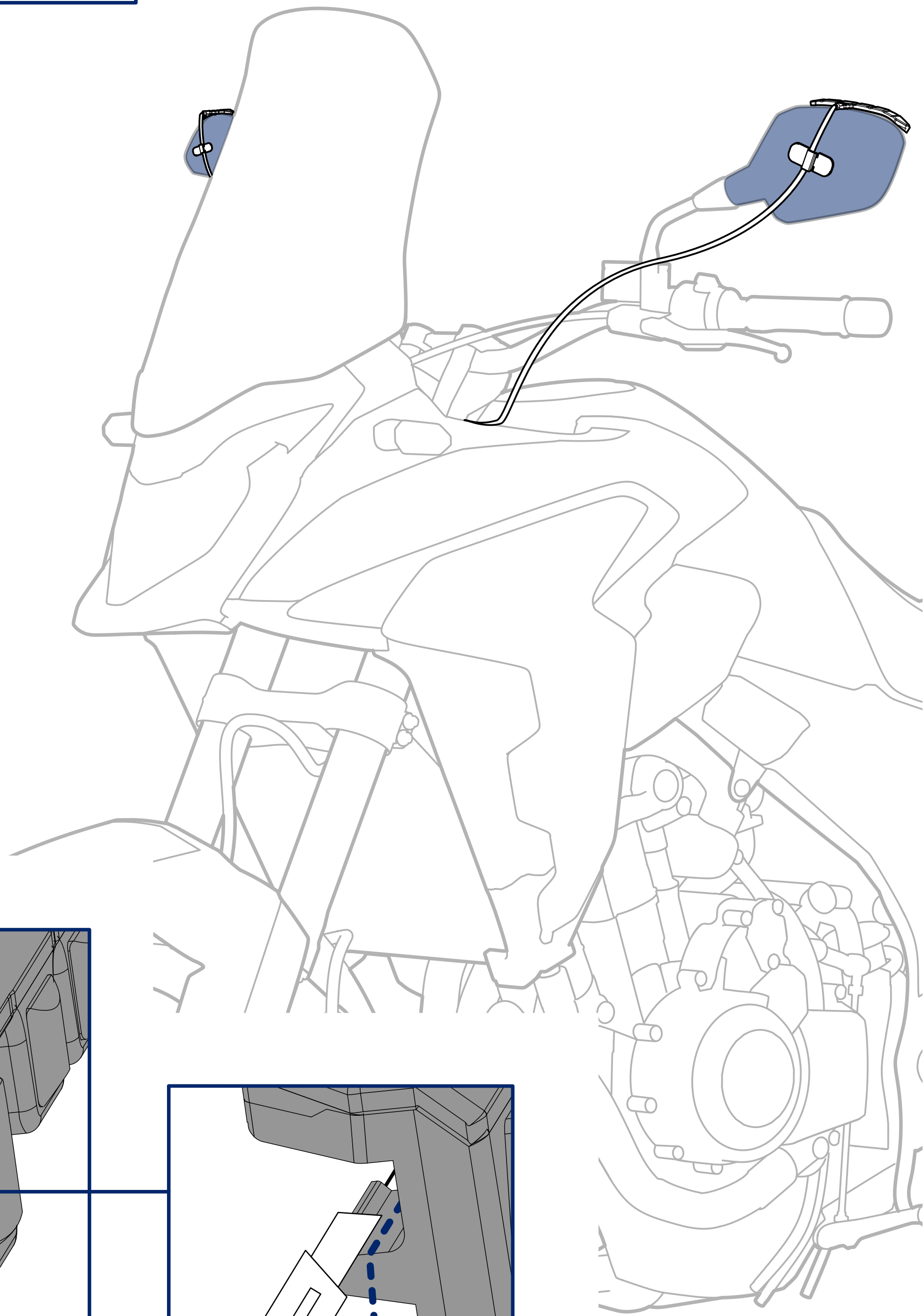
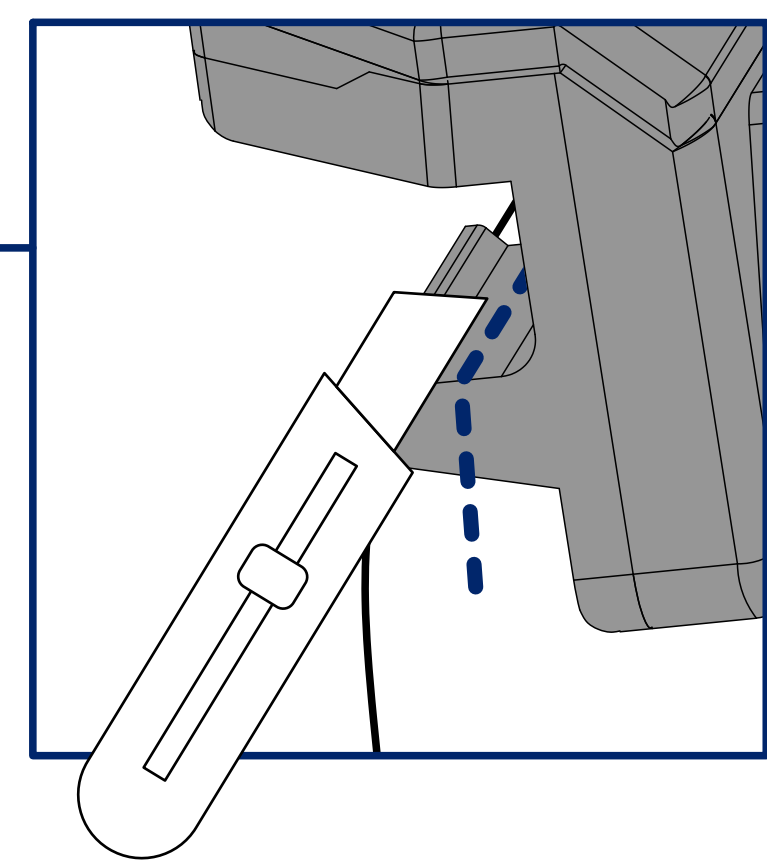
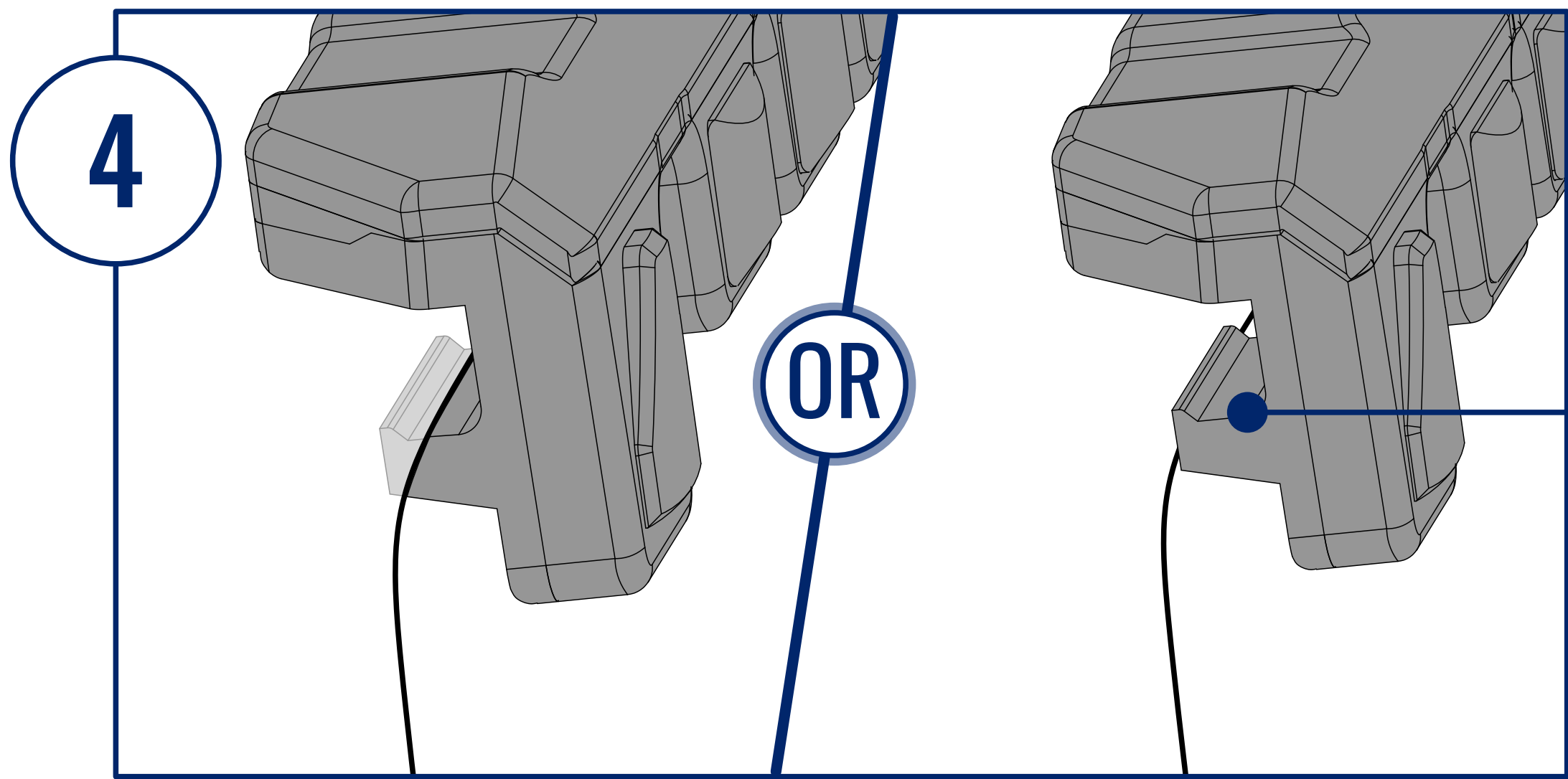
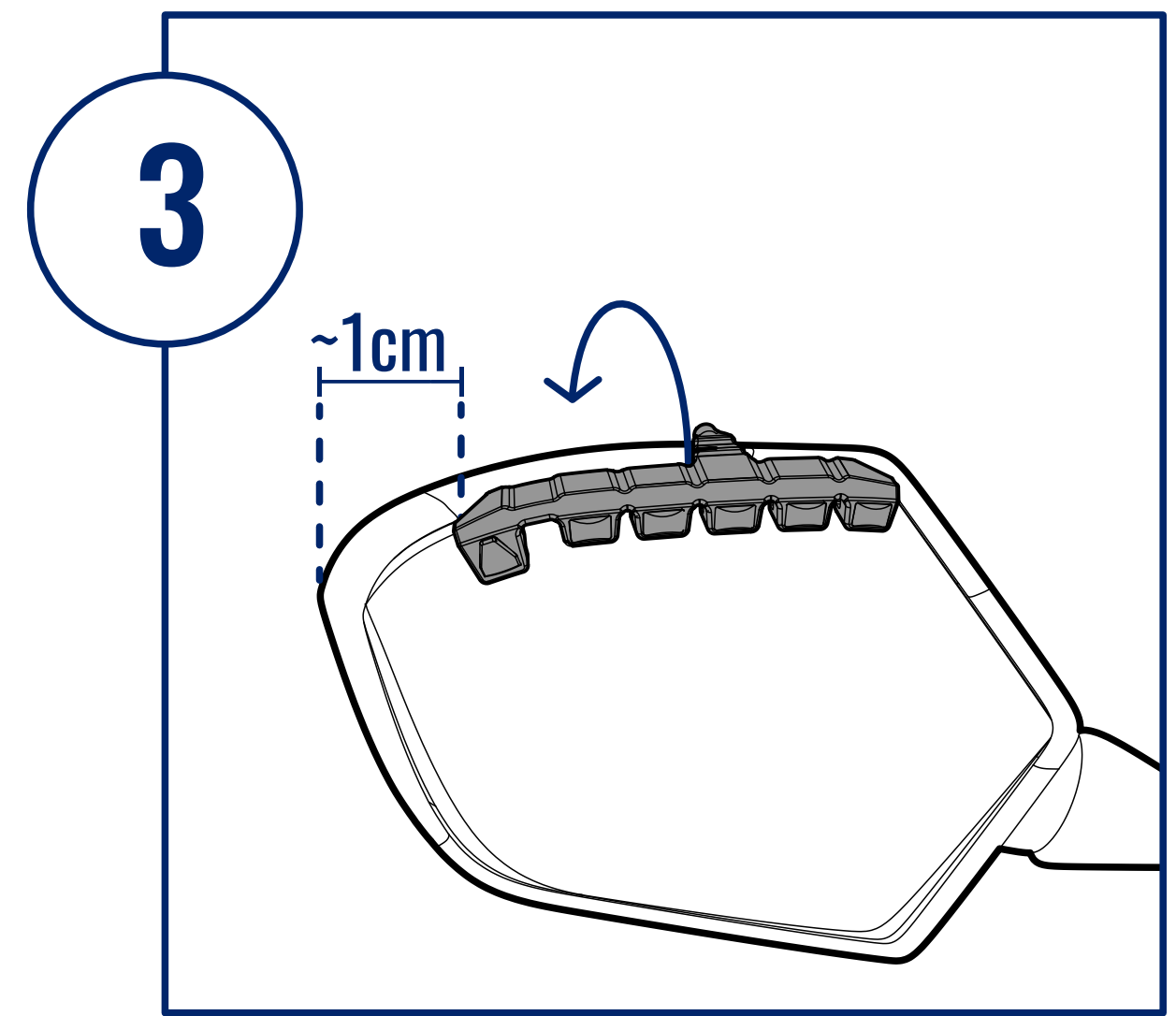
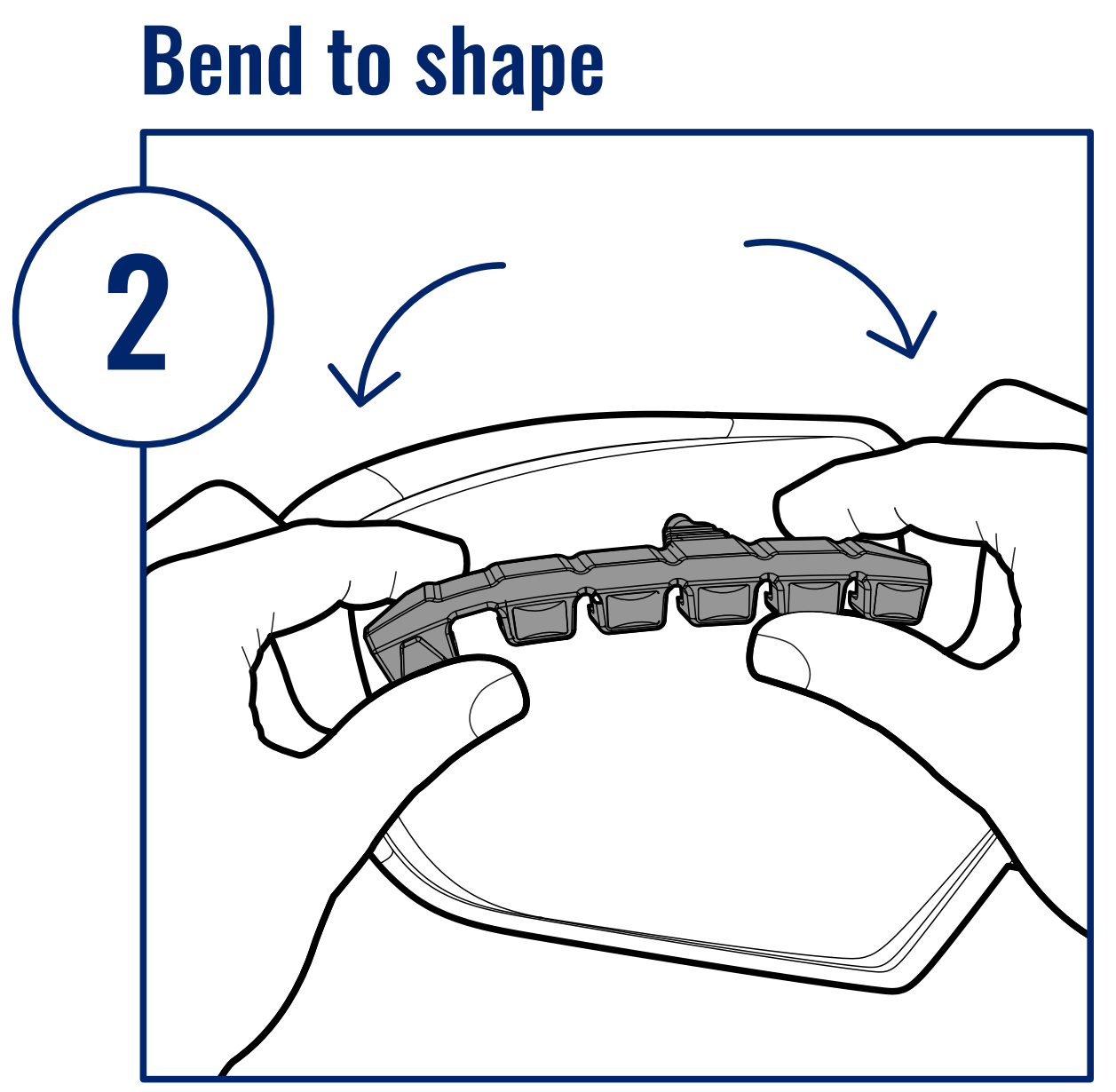
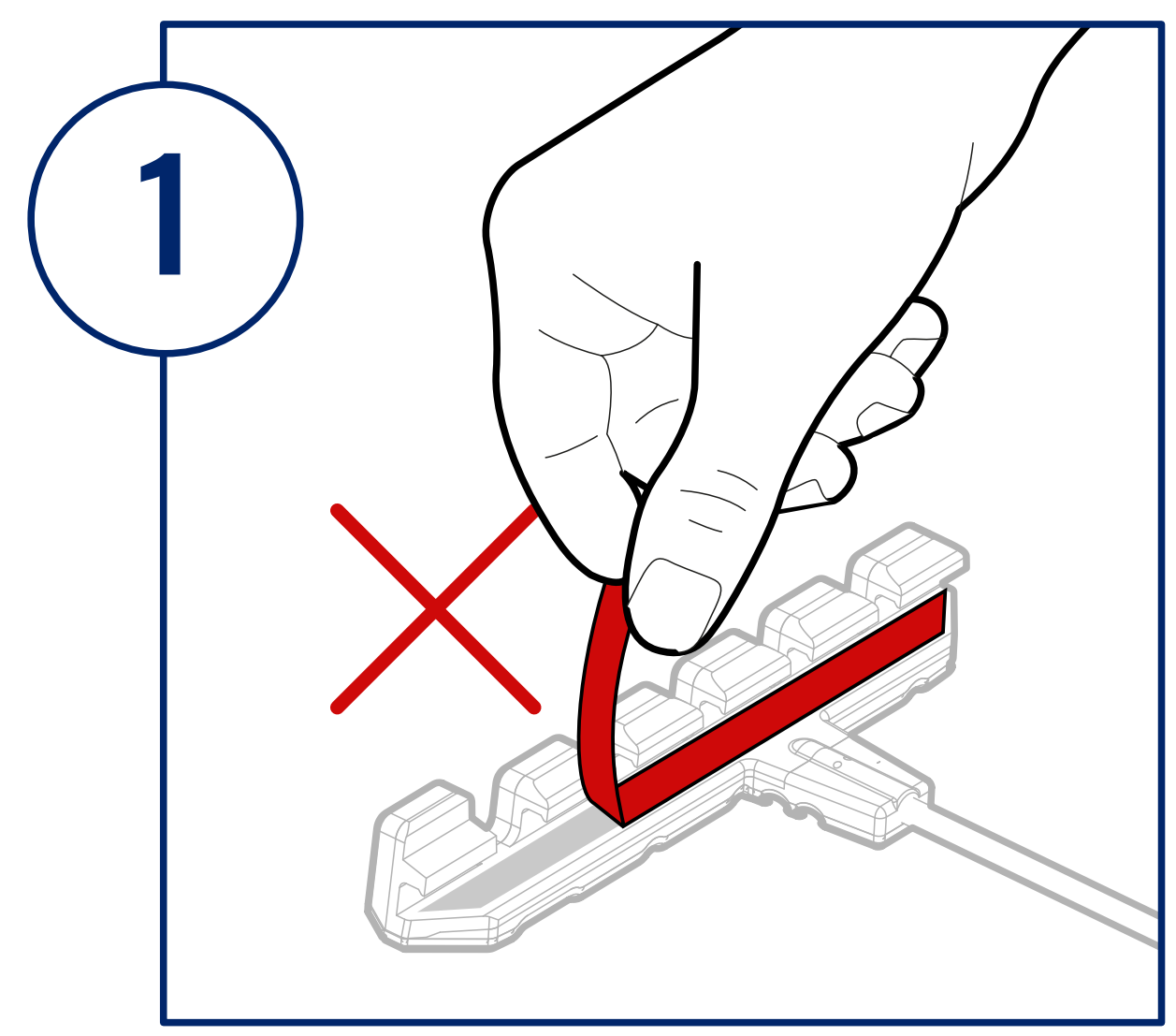
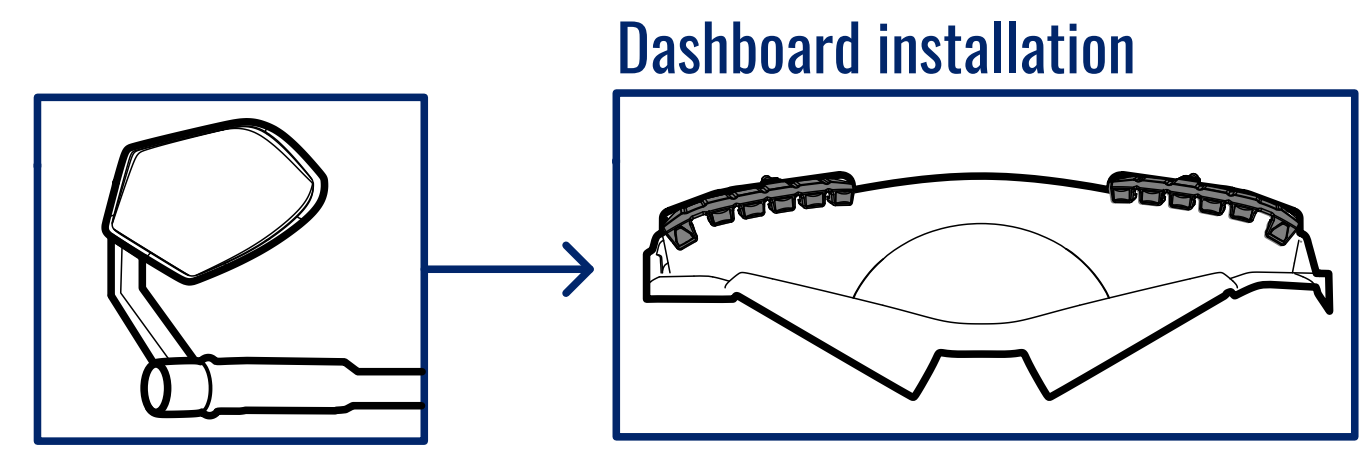
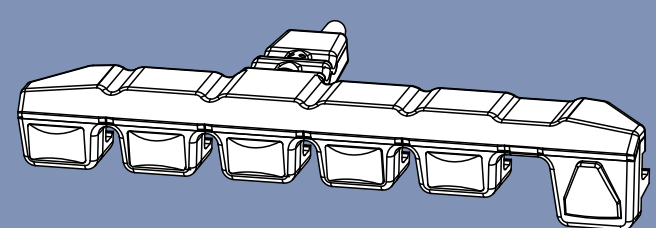
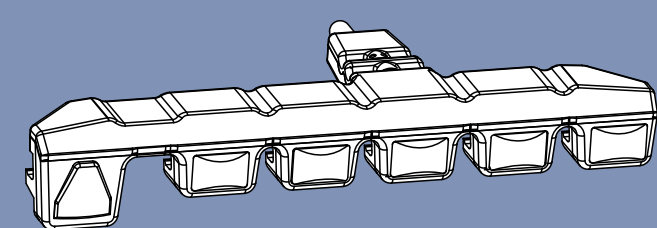
**8** -  **Battery connection**

**9** -  **Leveling**

**10** -  **Validation**

**11** -  **Mobile app**

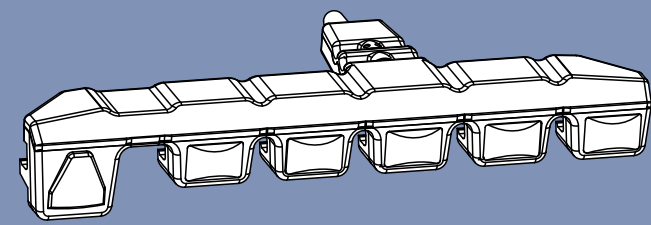
**1** Left Indicator Right Indicator



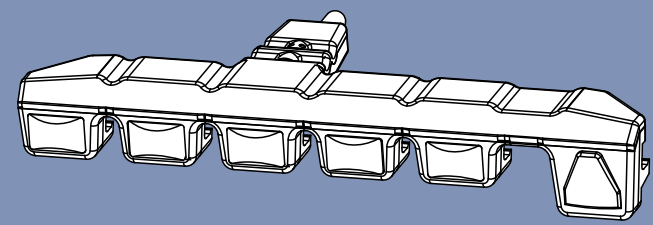


1

Left Indicator

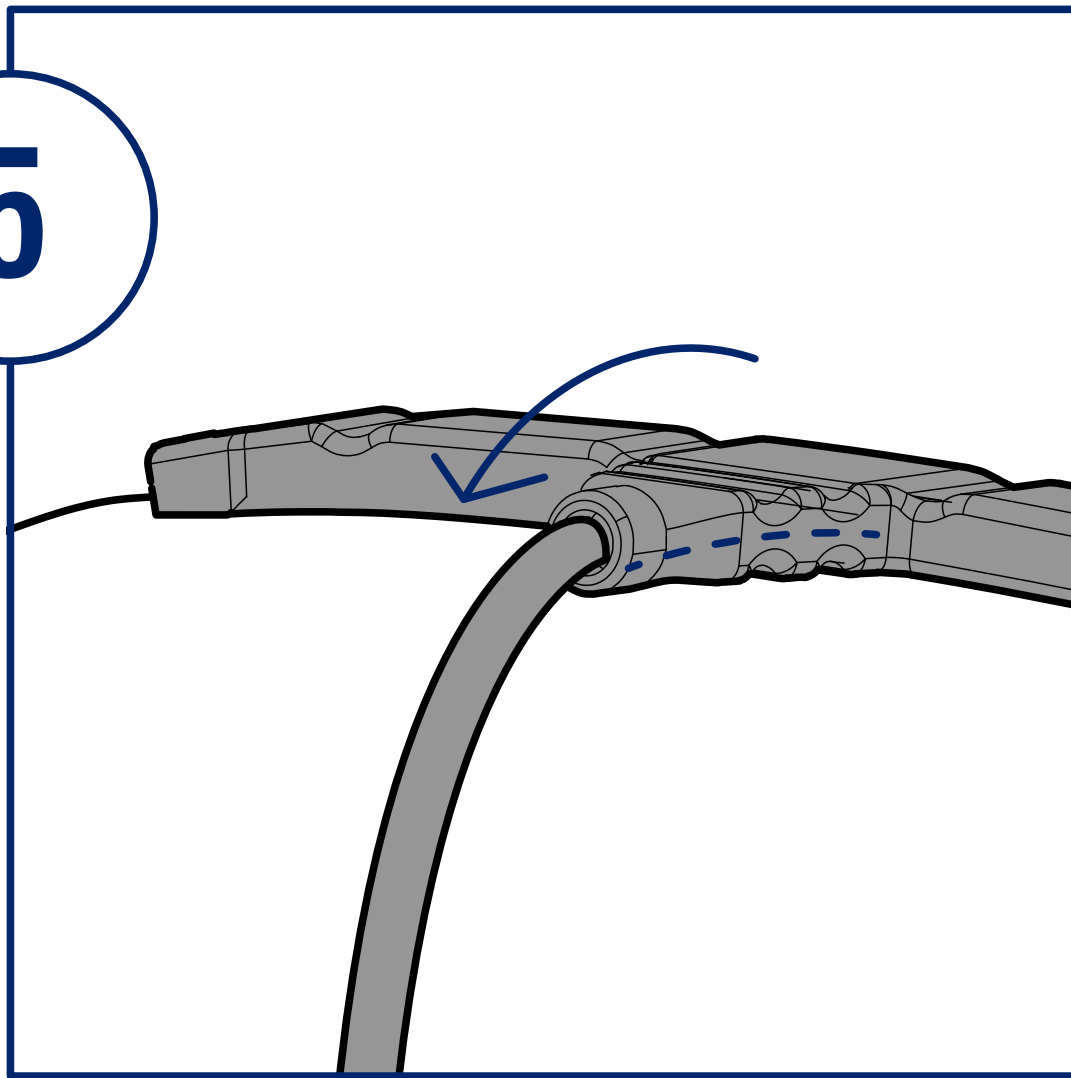


Right Indicator

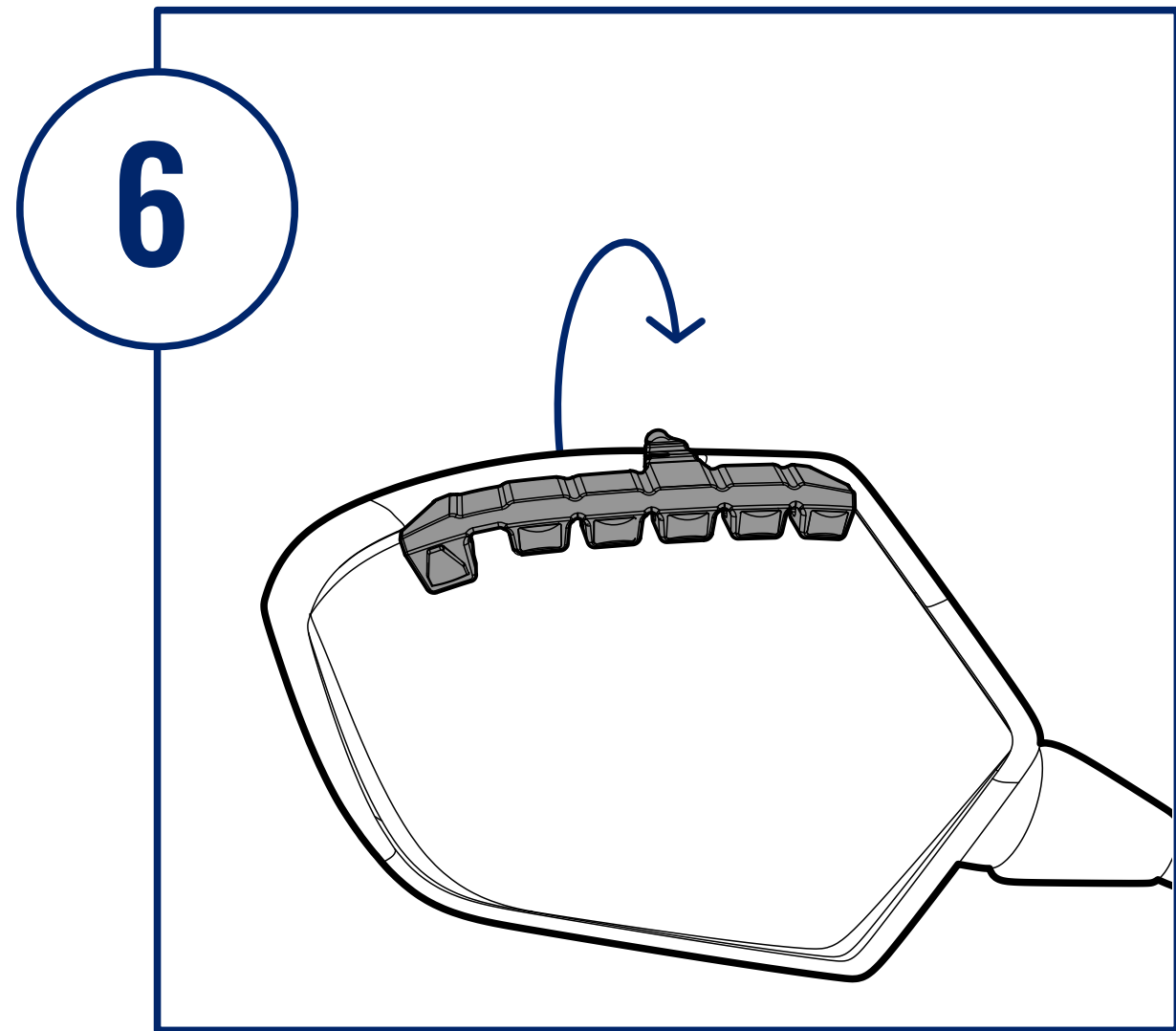


Bend to shape

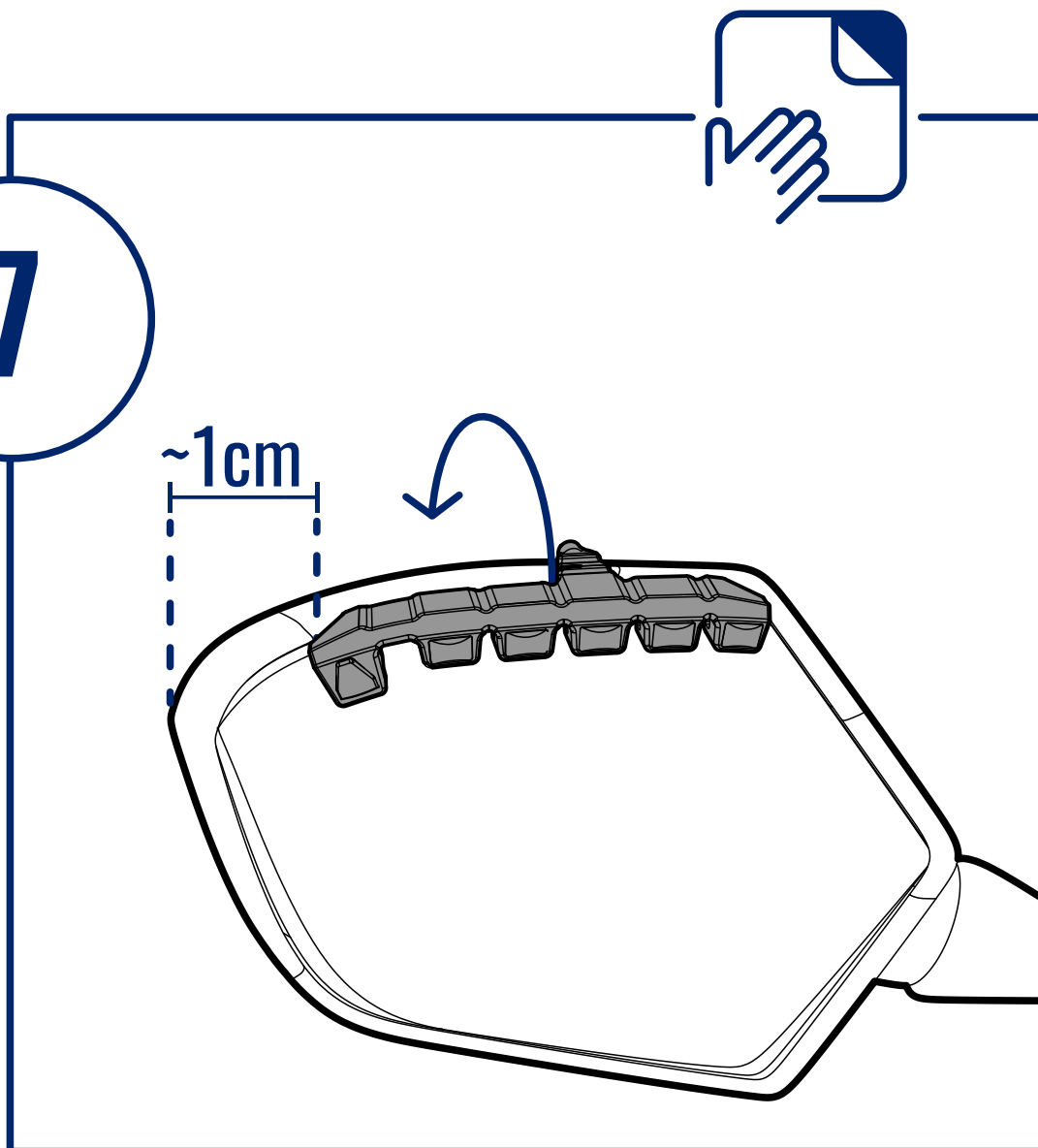
5



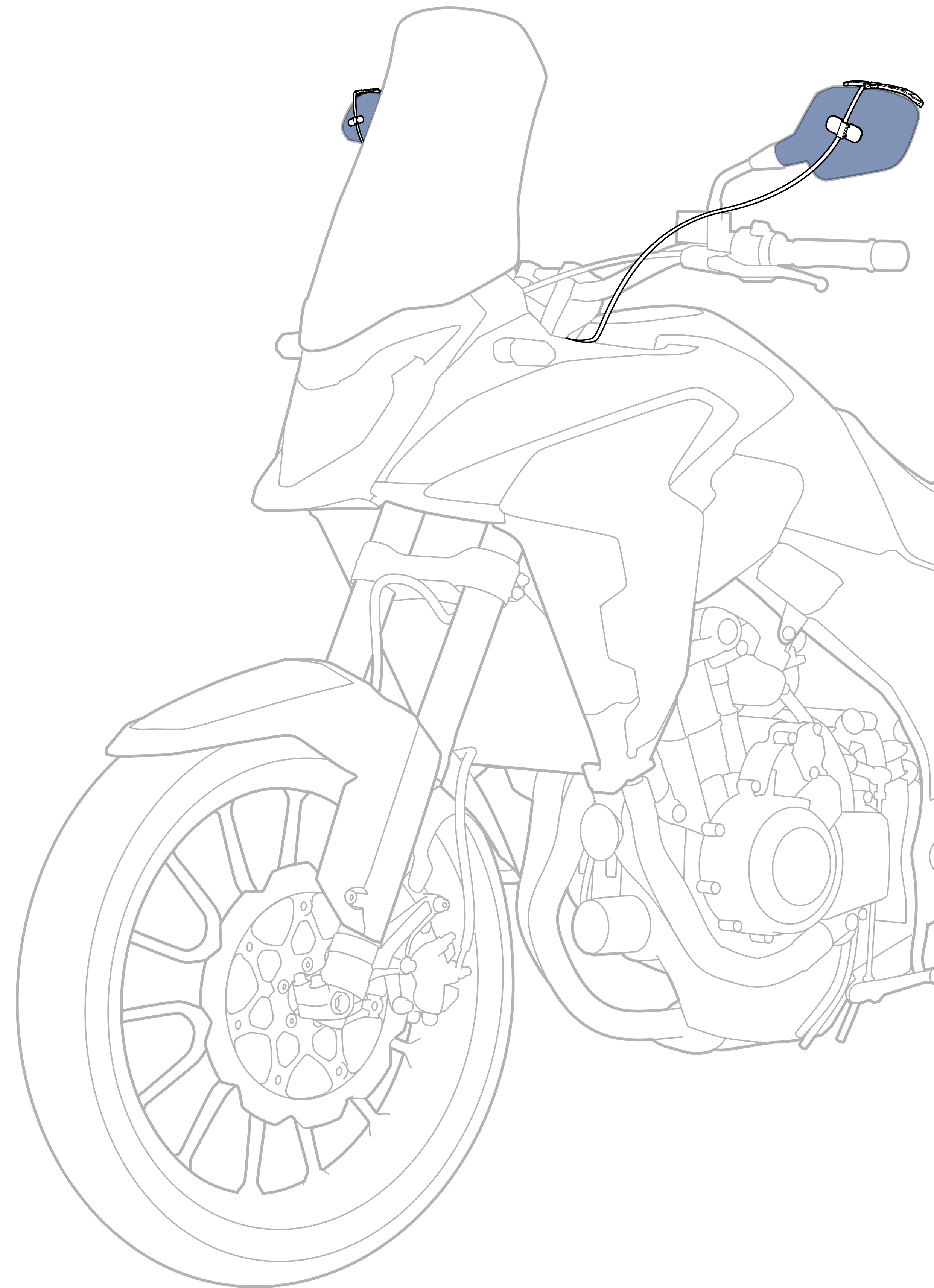
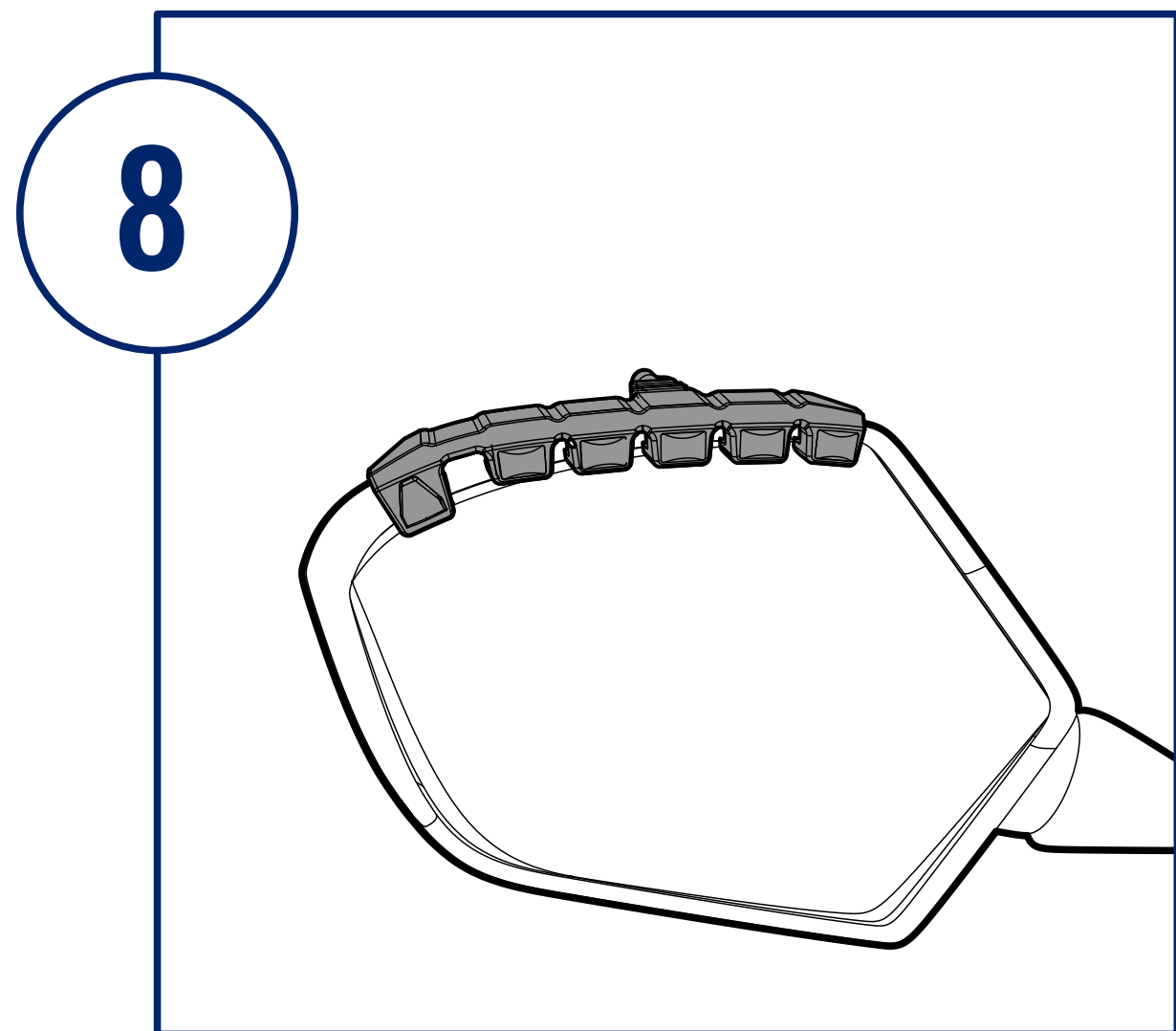
6



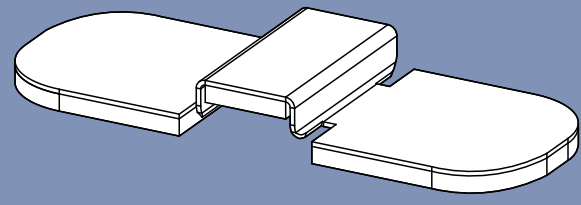
7



8



1.A

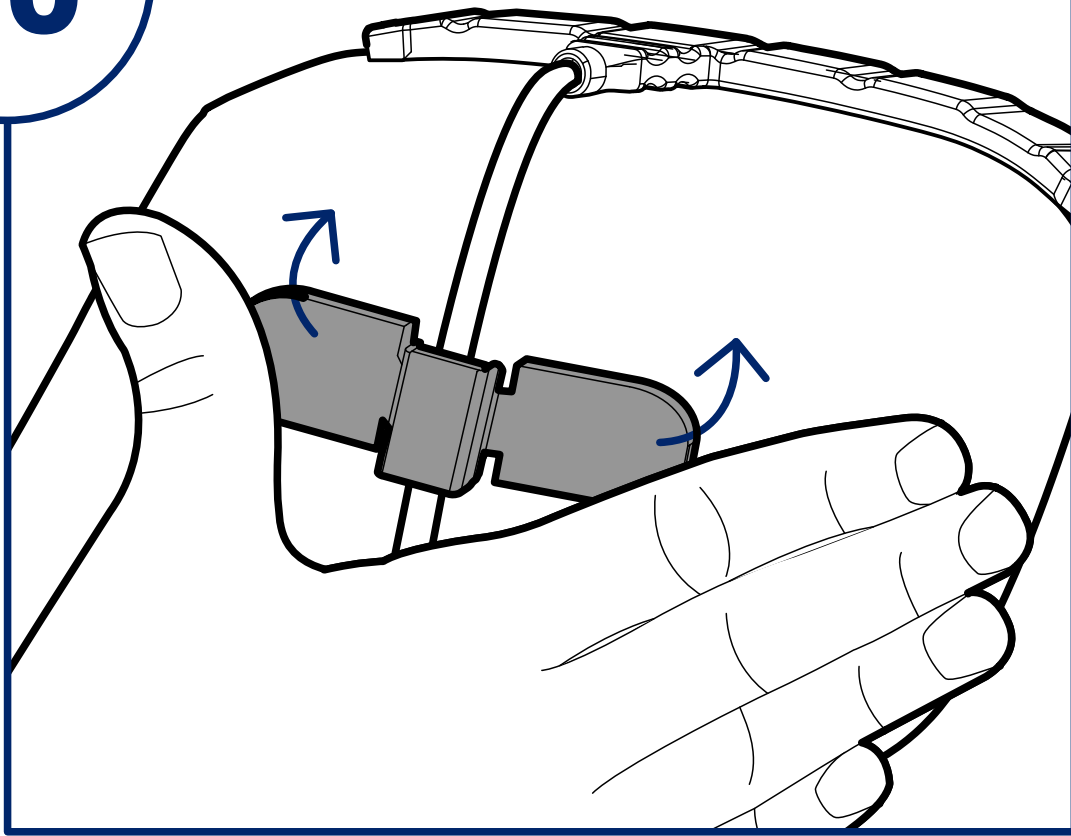


X2 R/L

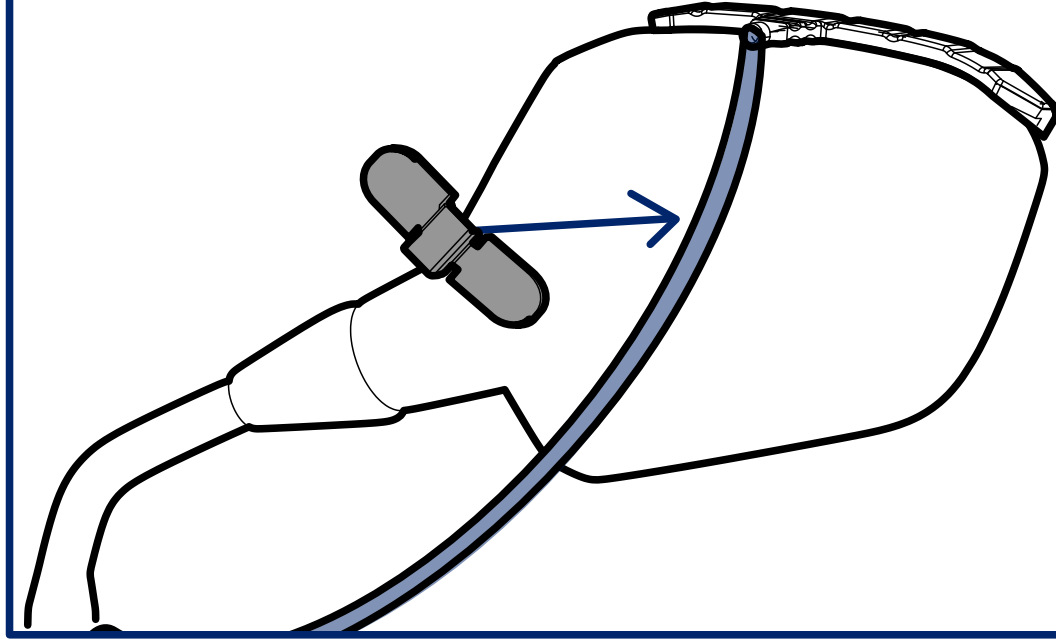
Bend to shape



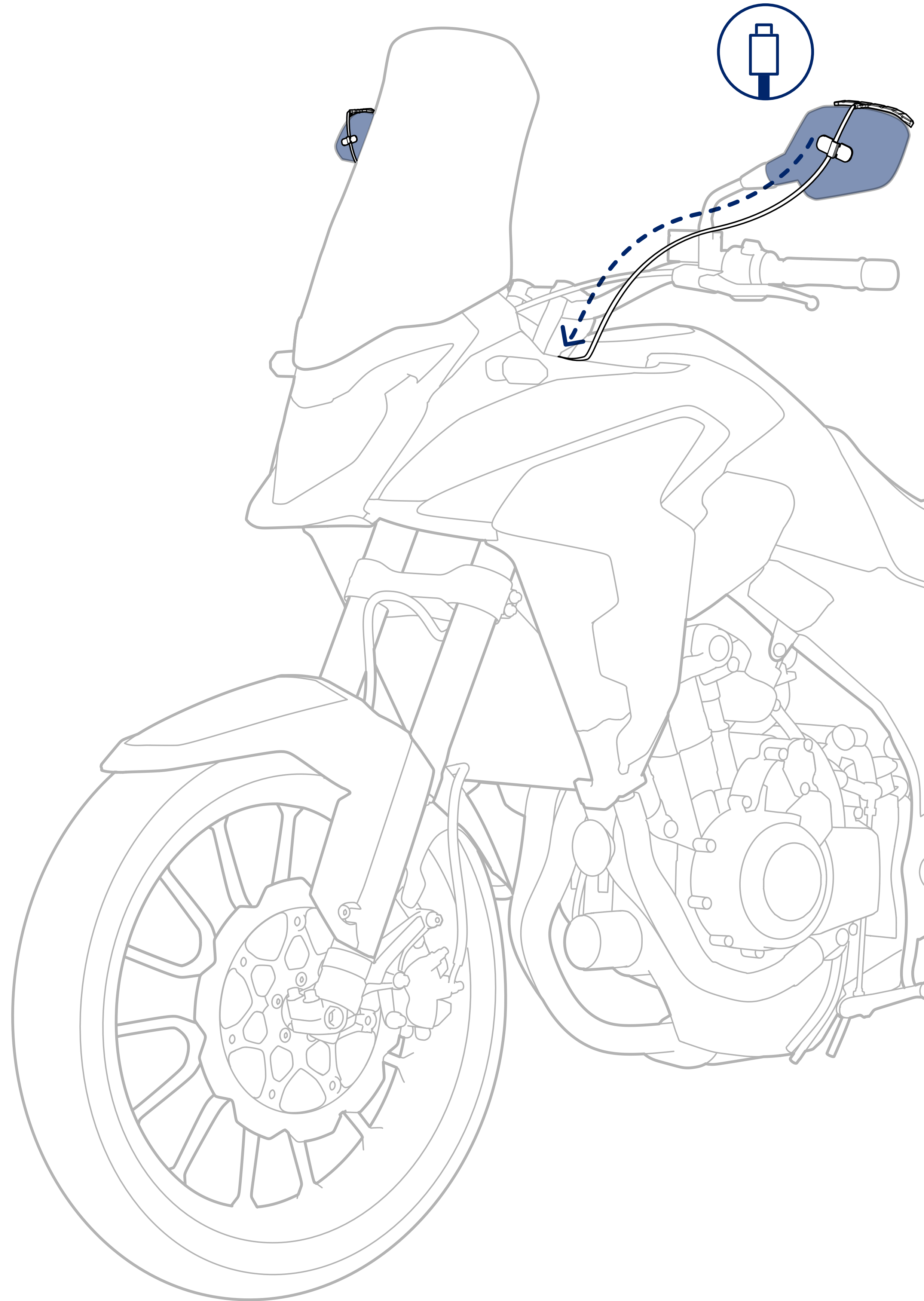
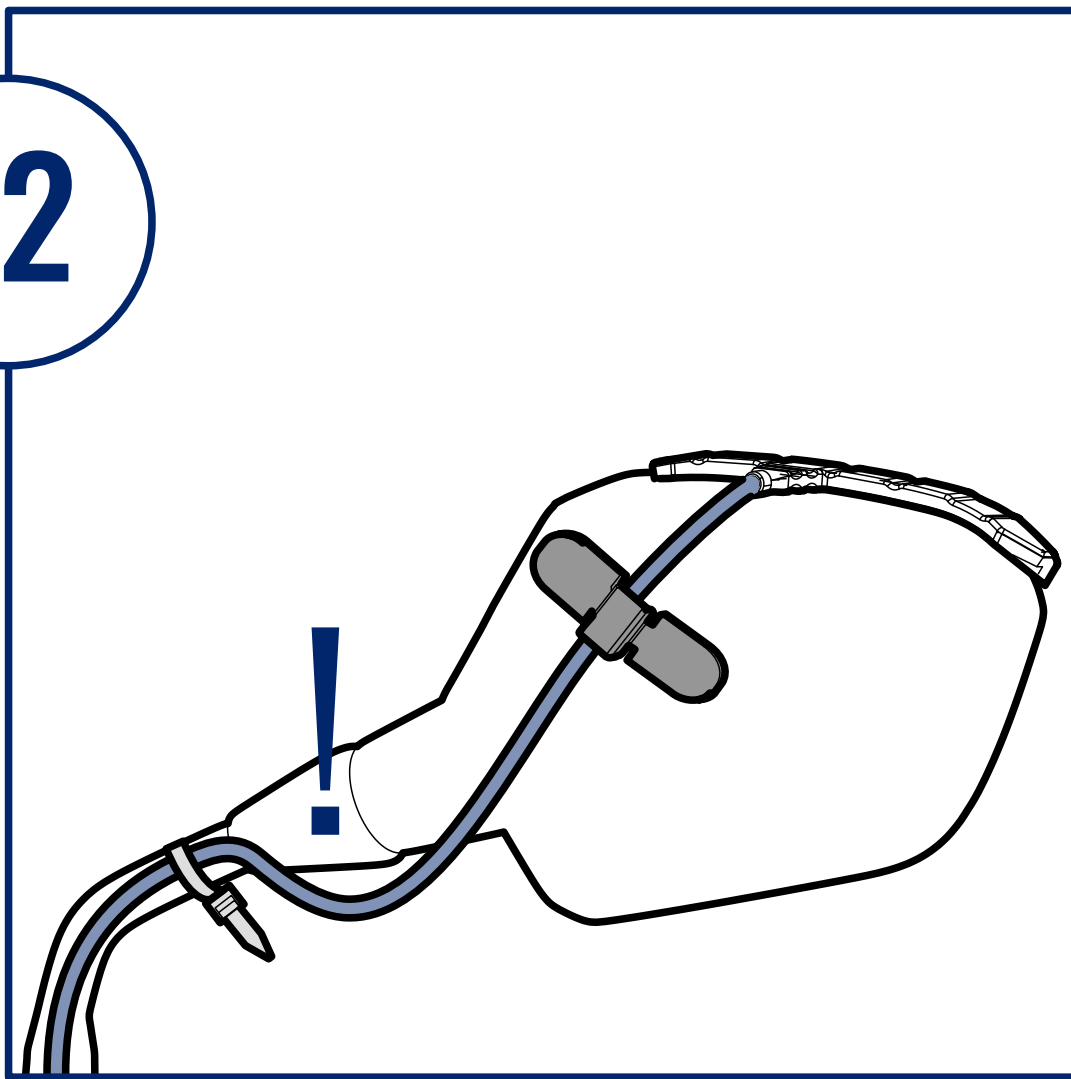
10



11

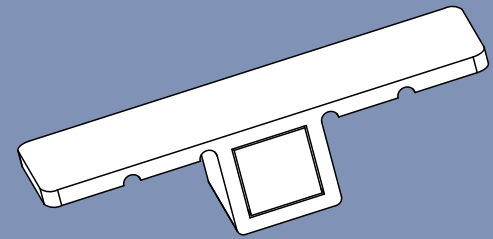


12



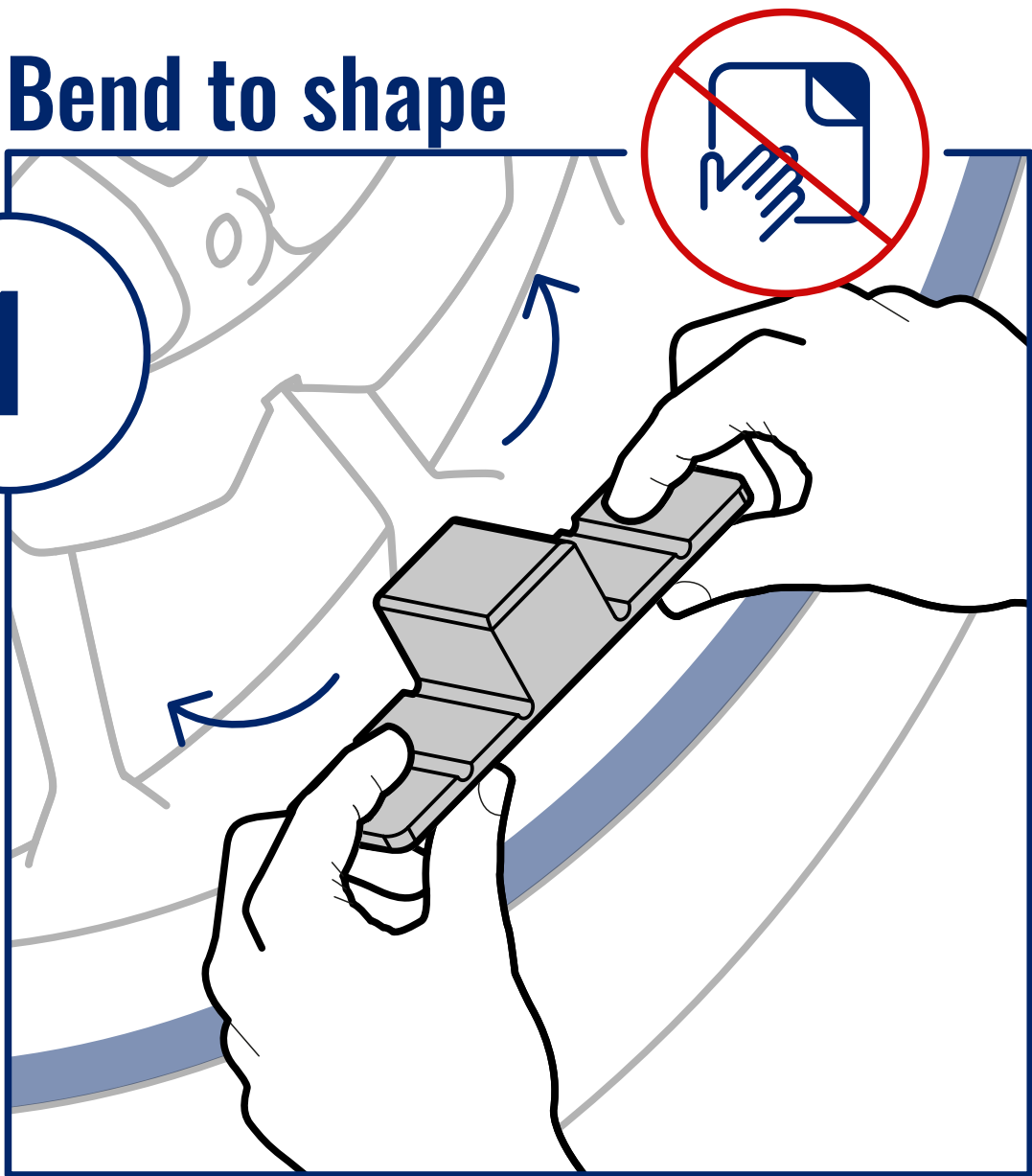


2

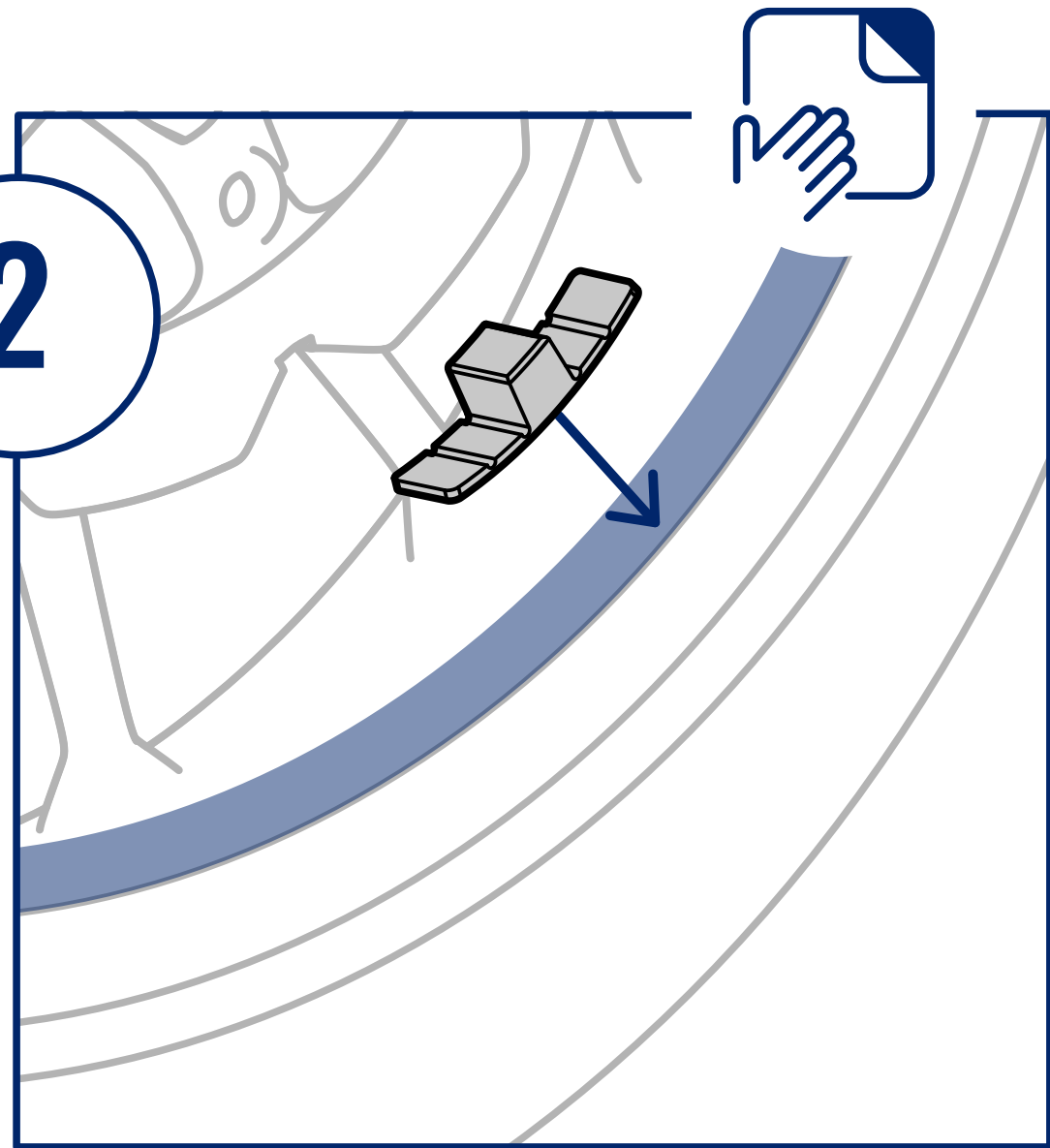


Bend to shape

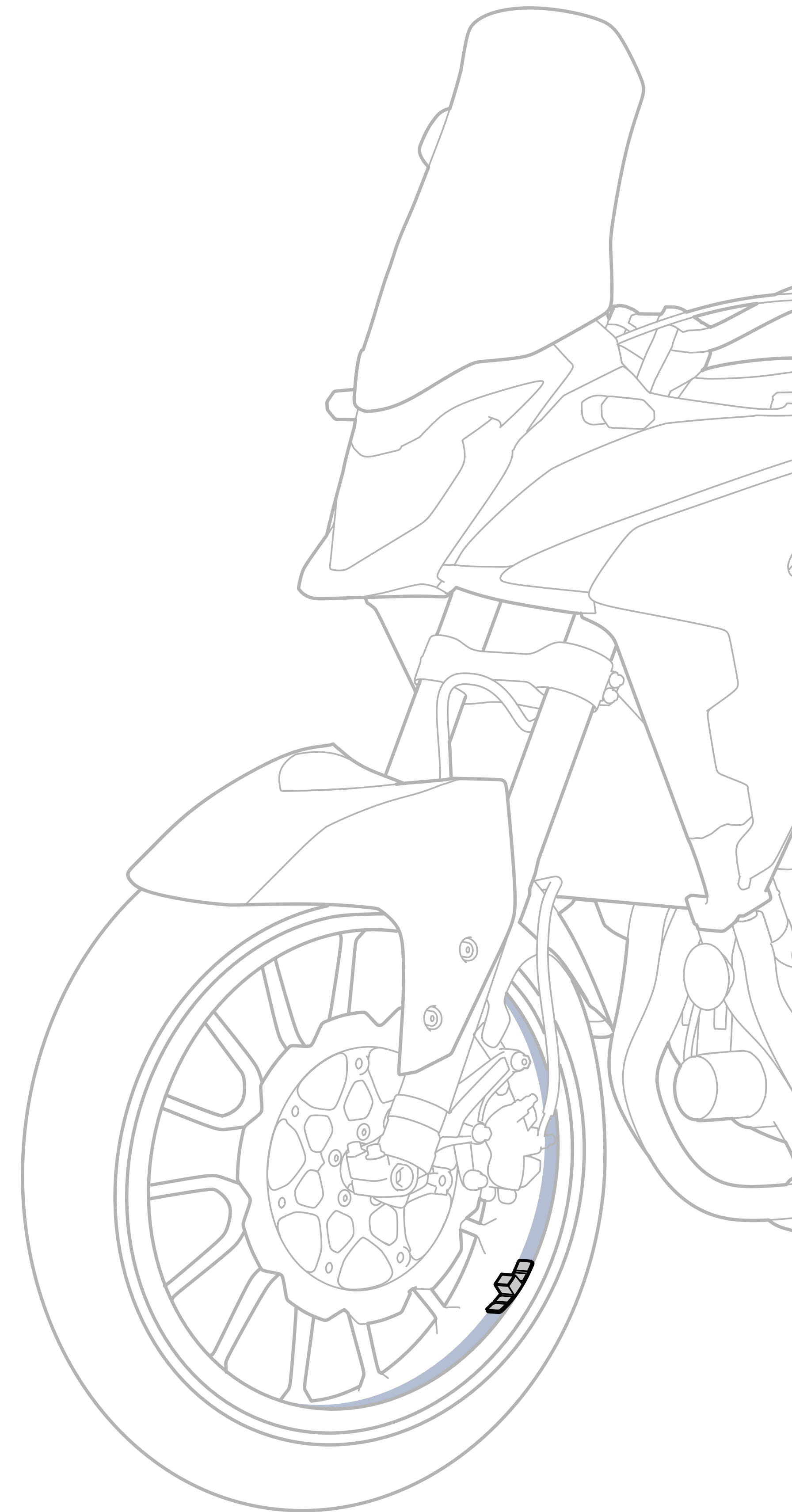
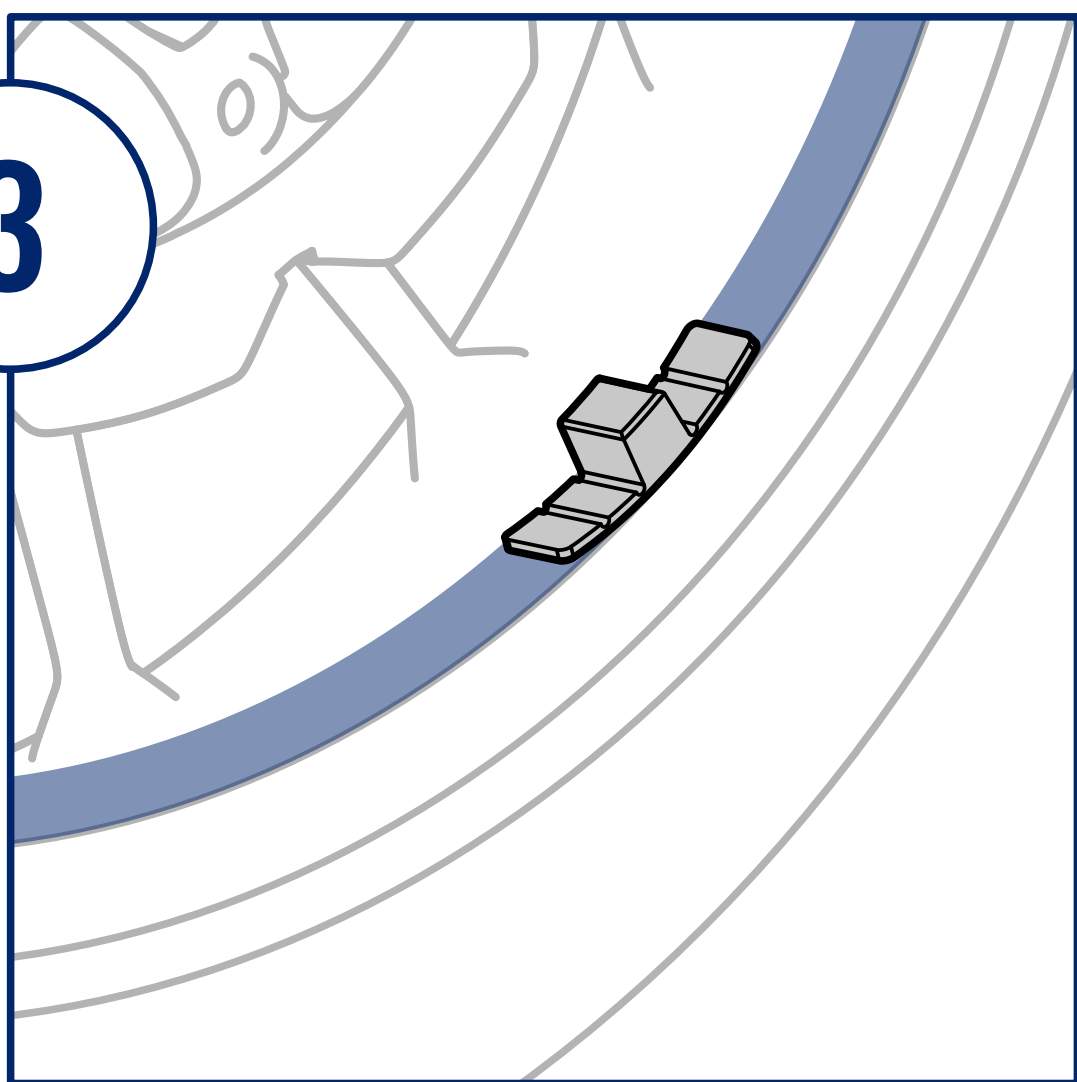
1



2



3

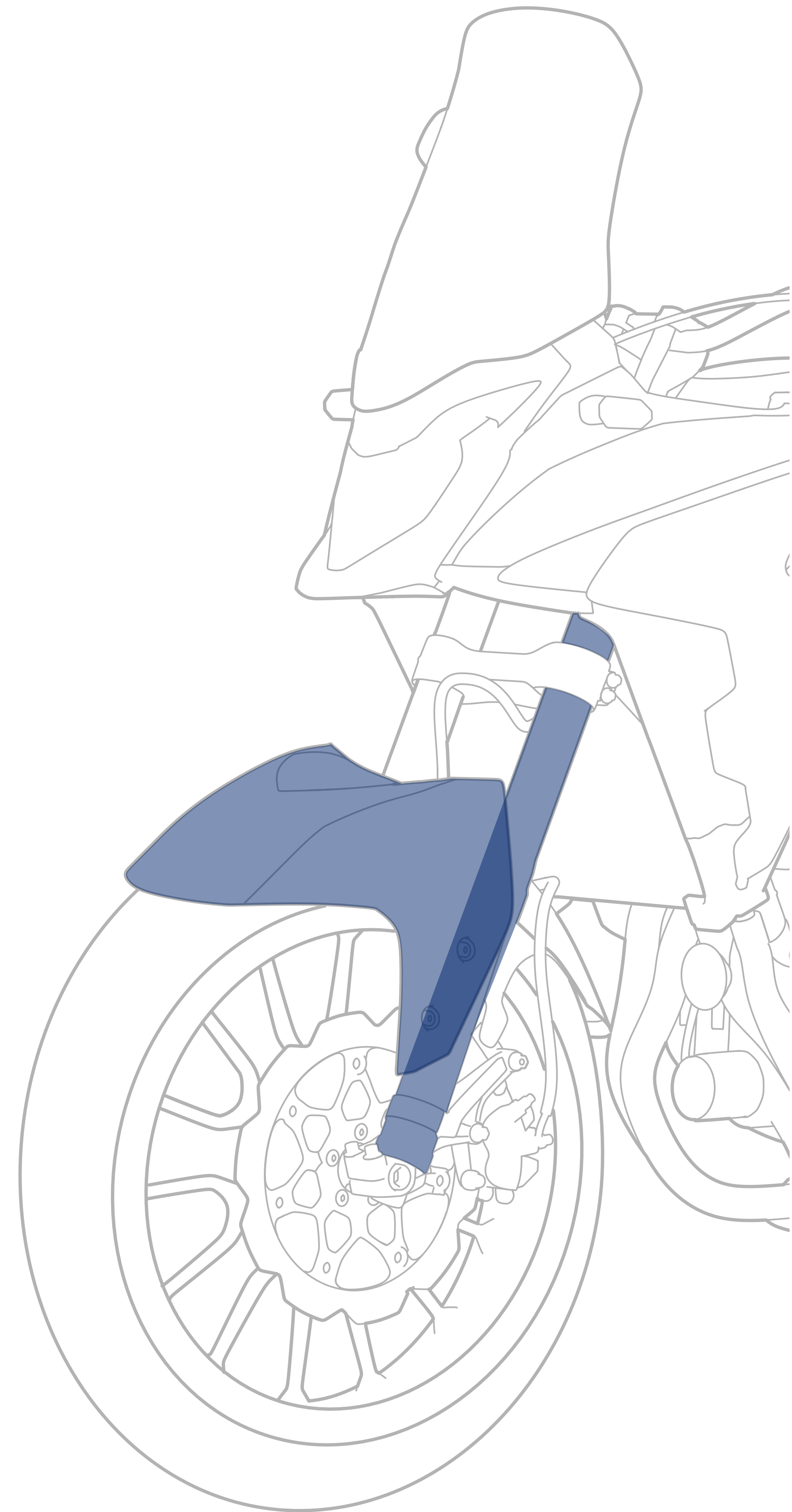
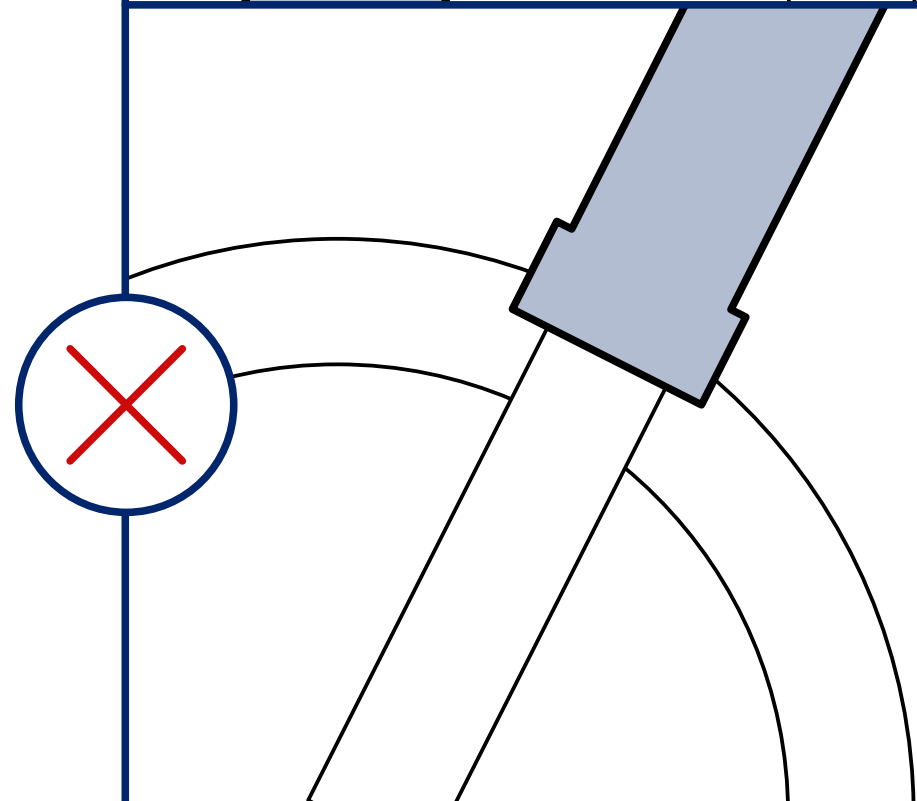
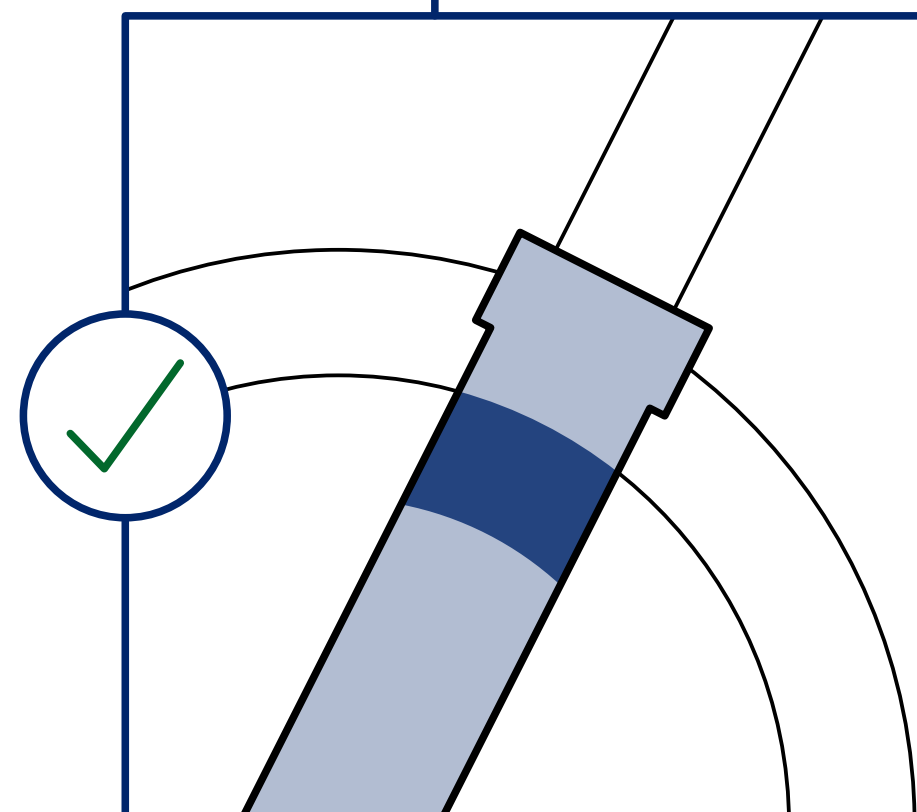
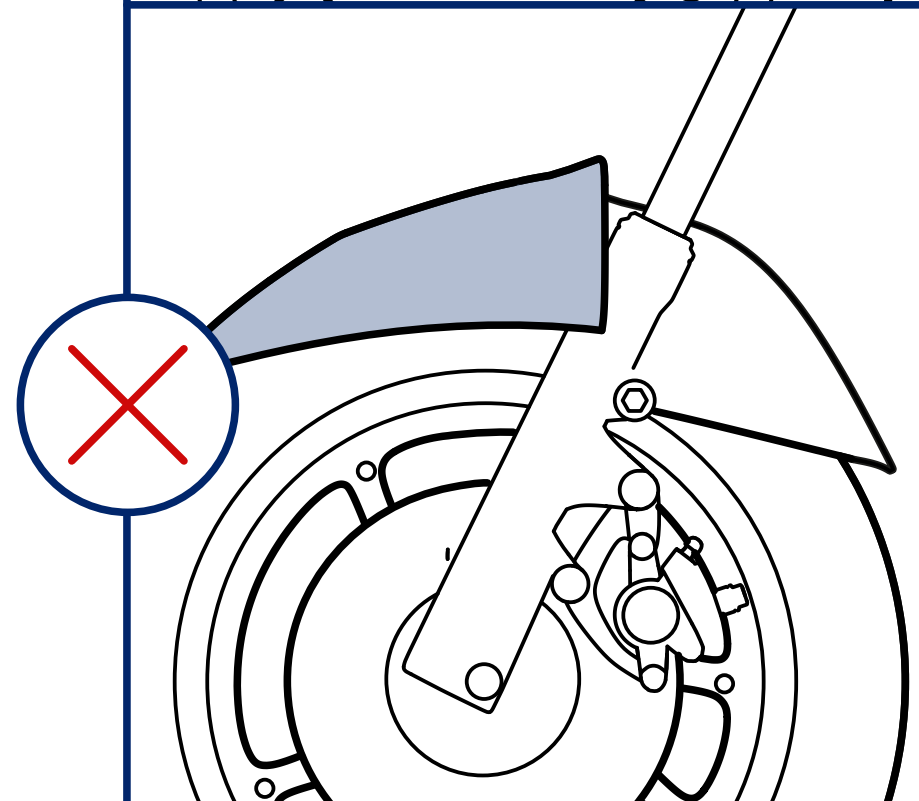
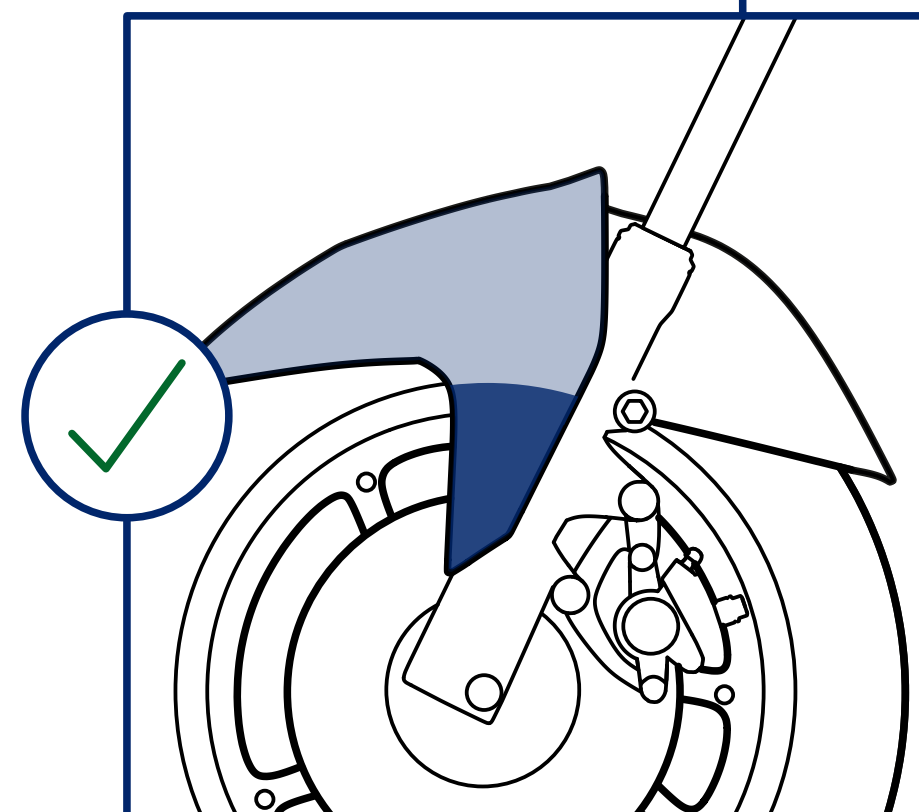
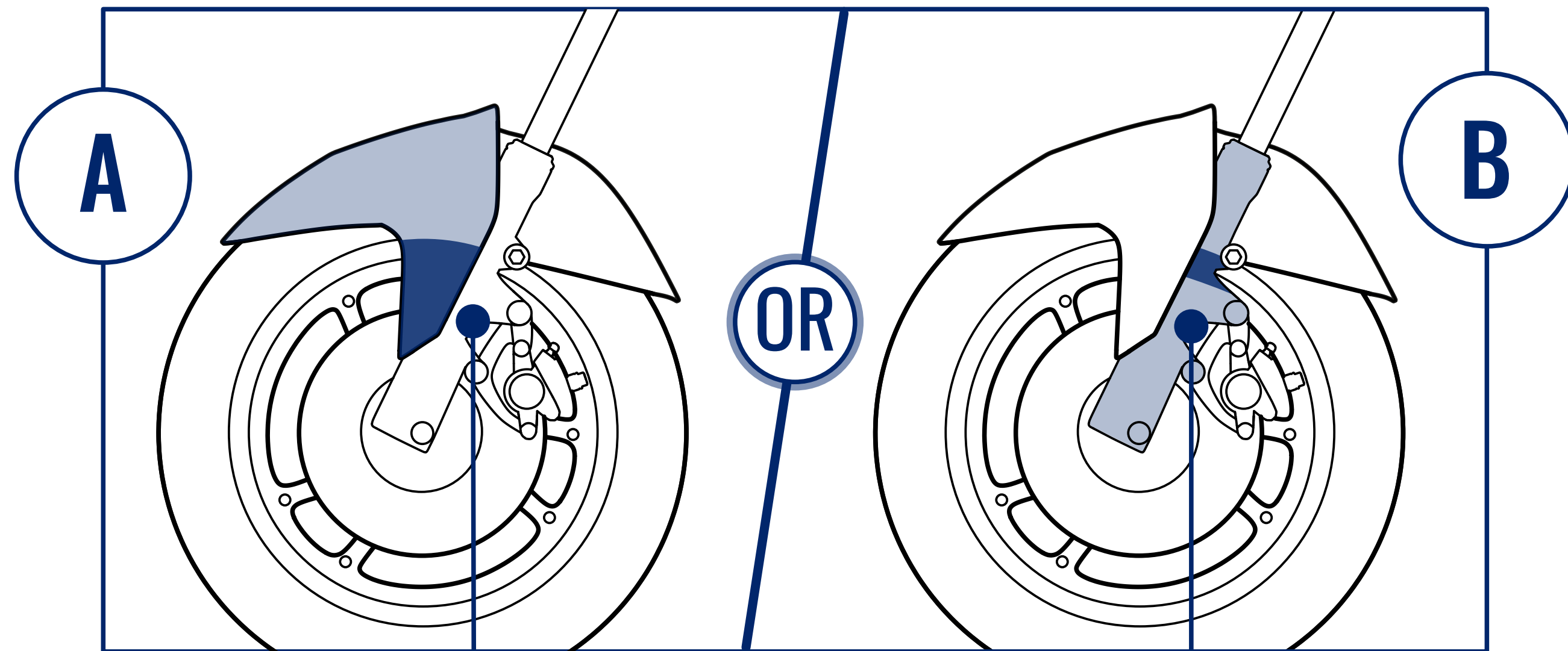
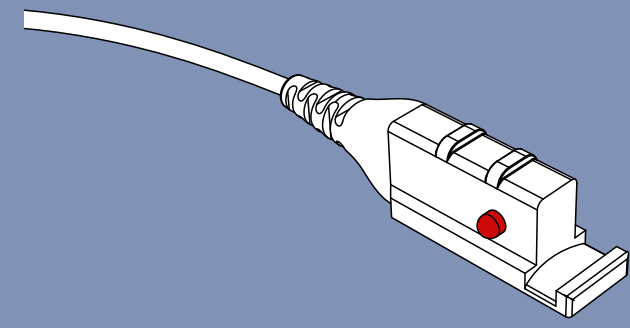




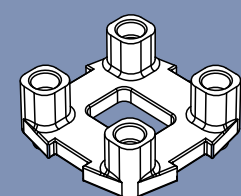
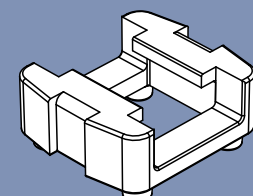
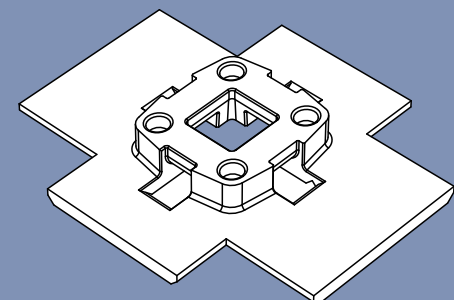
2

i

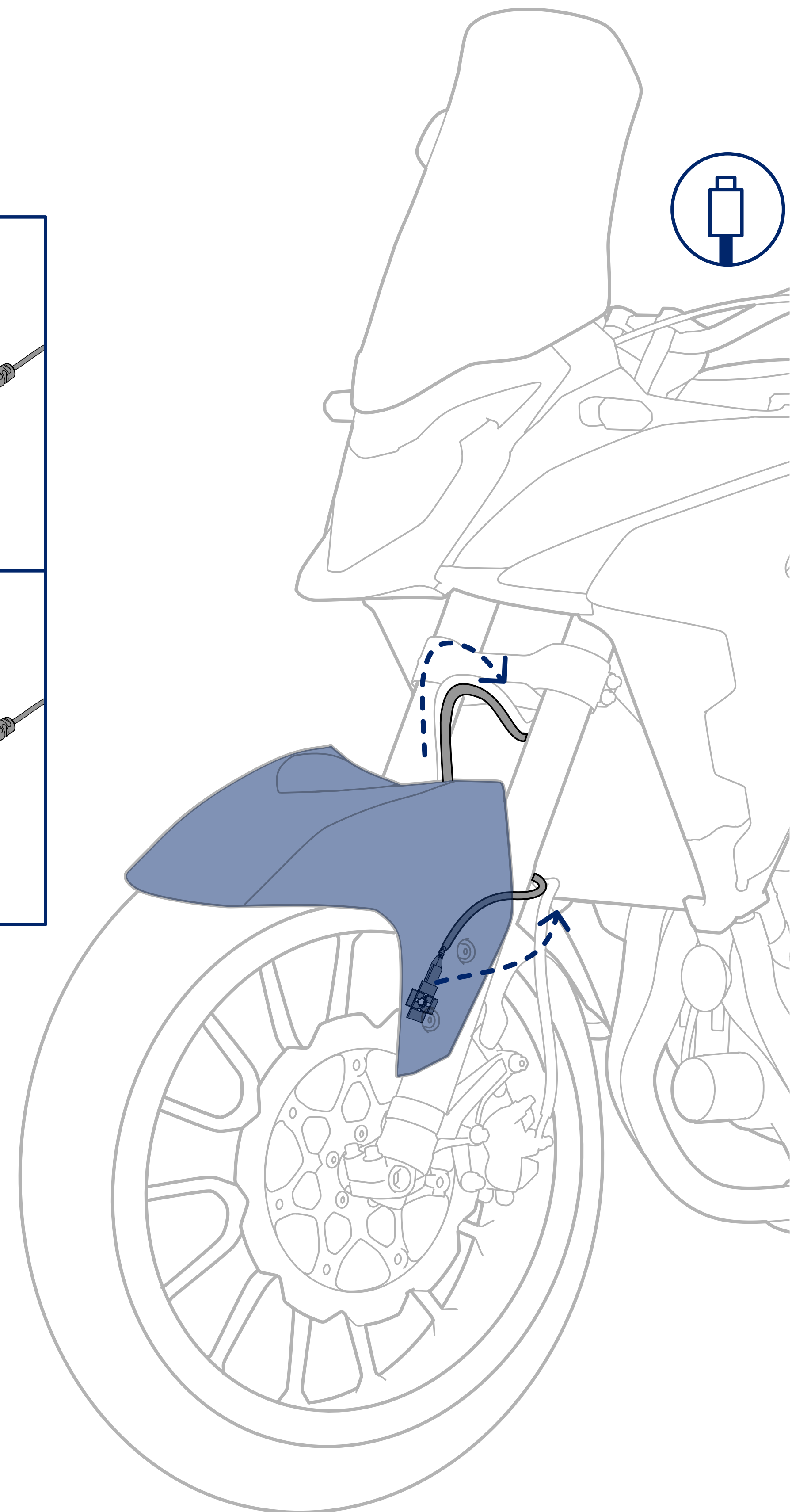
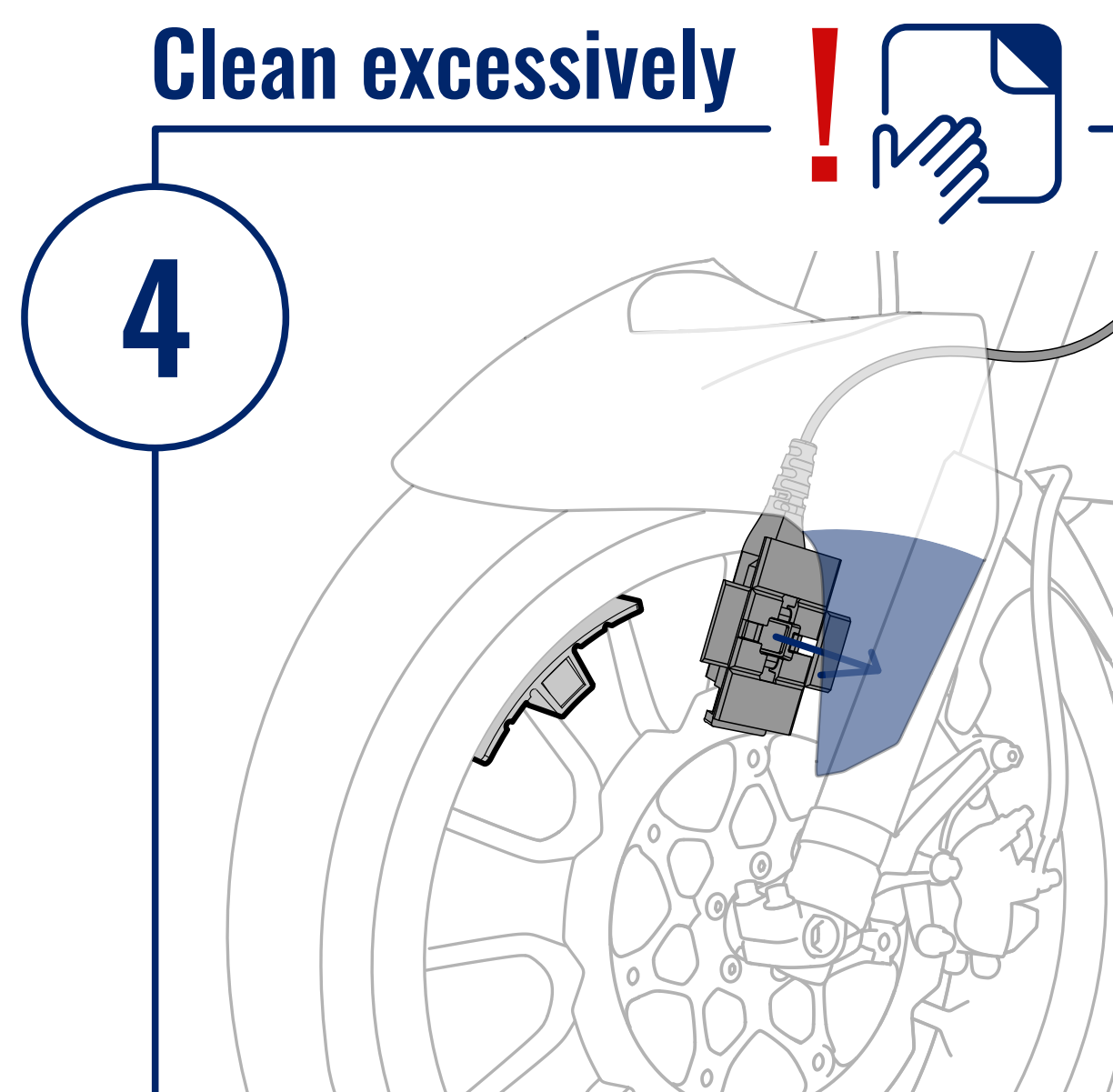
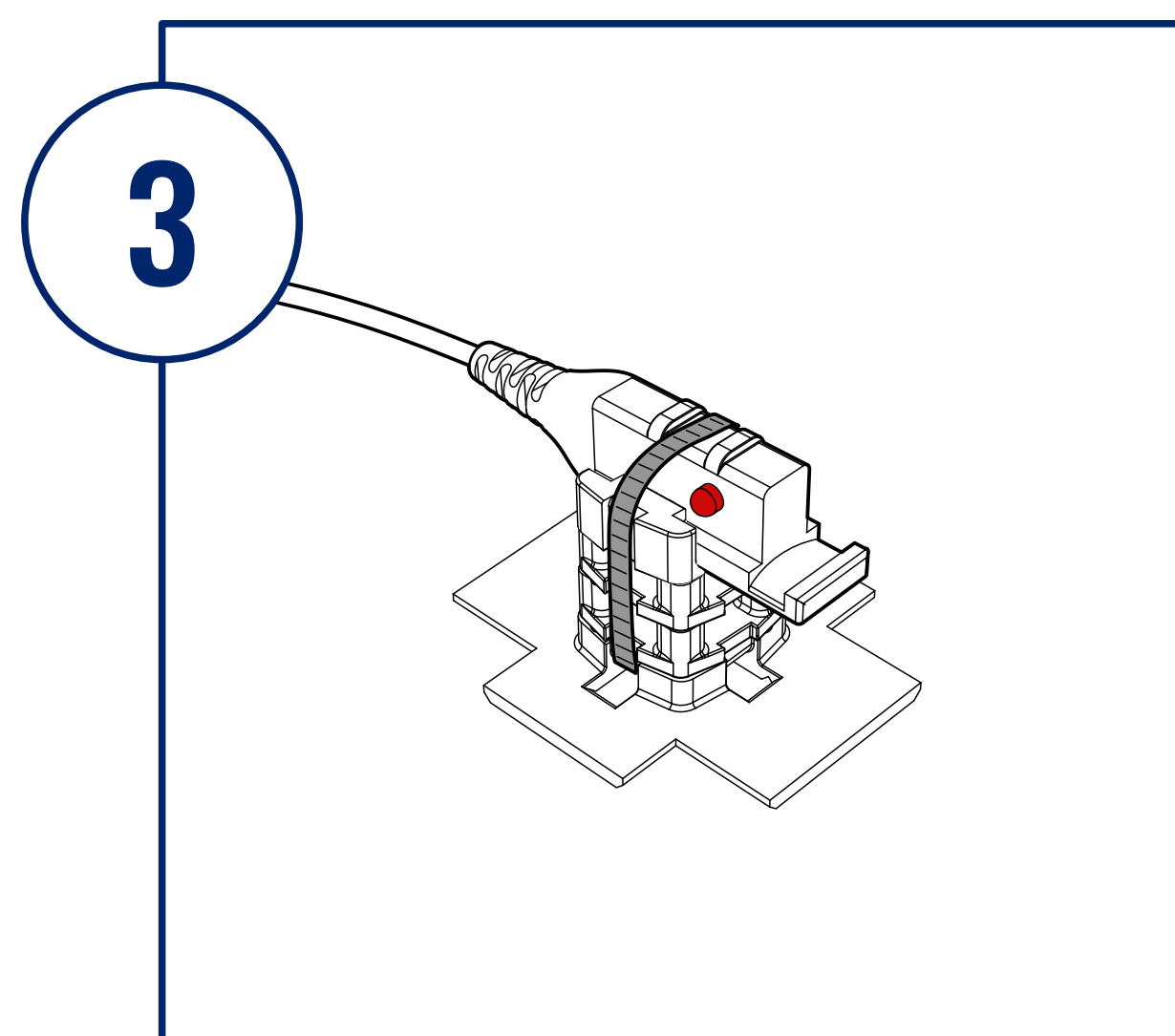
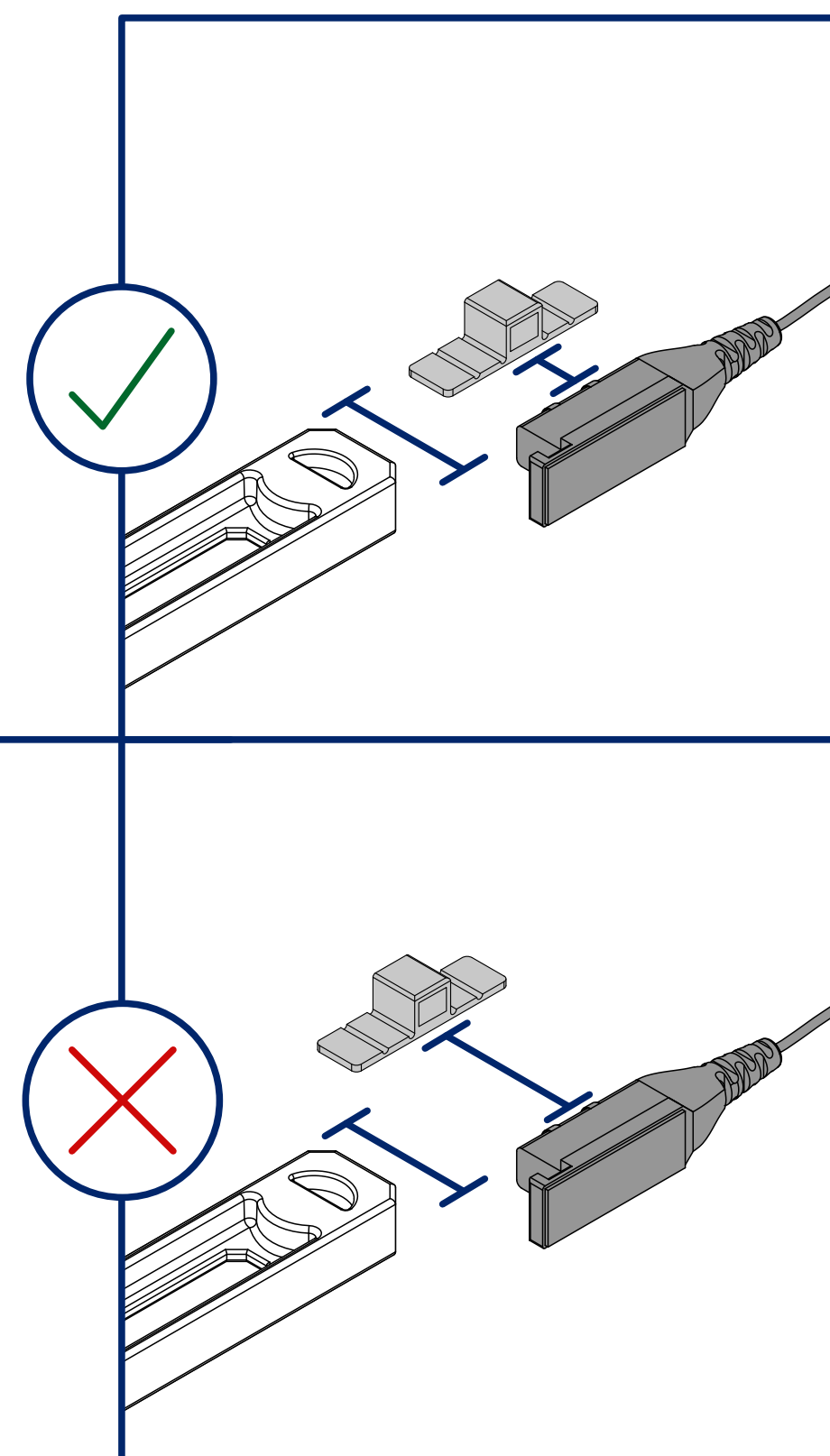
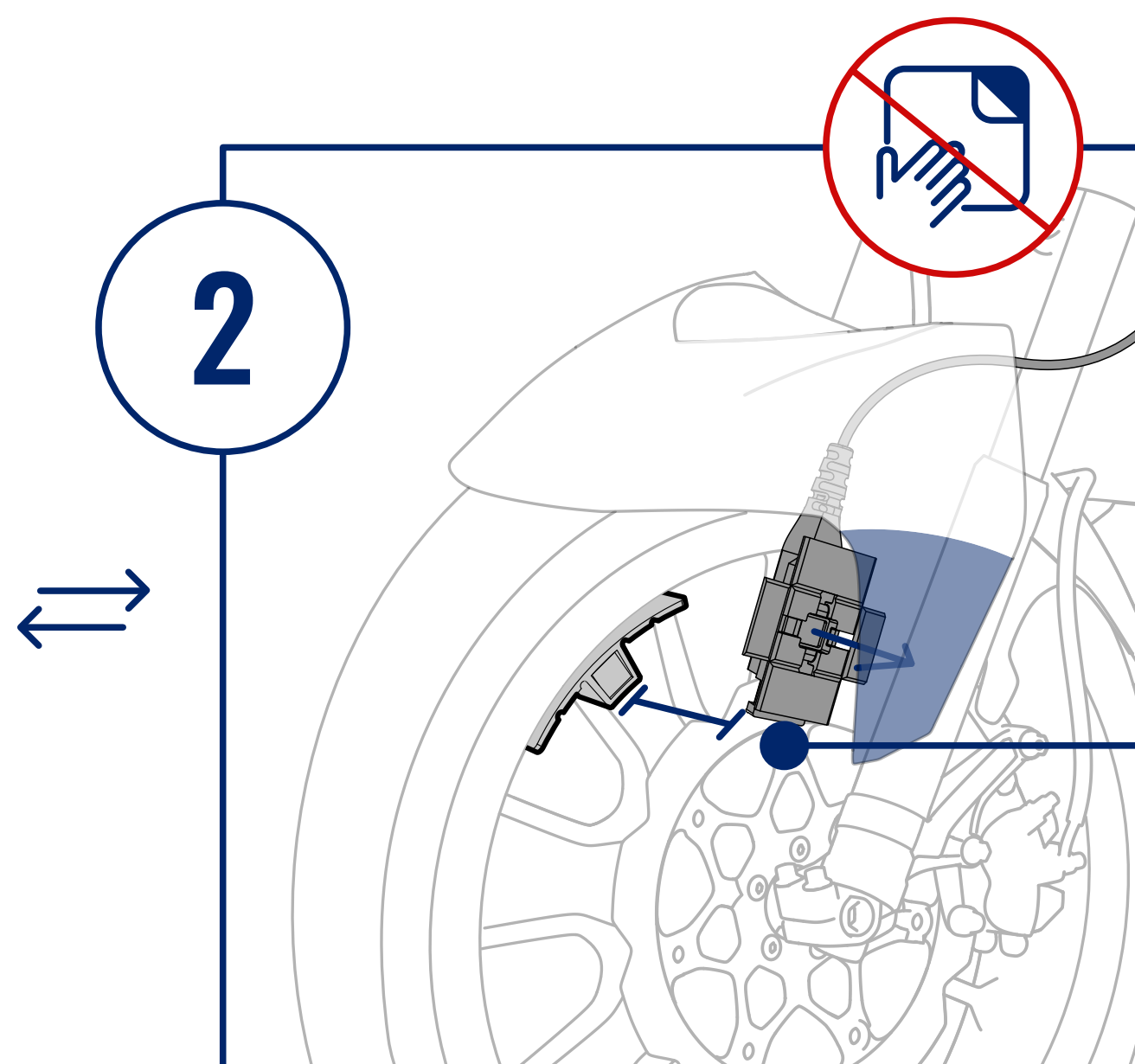
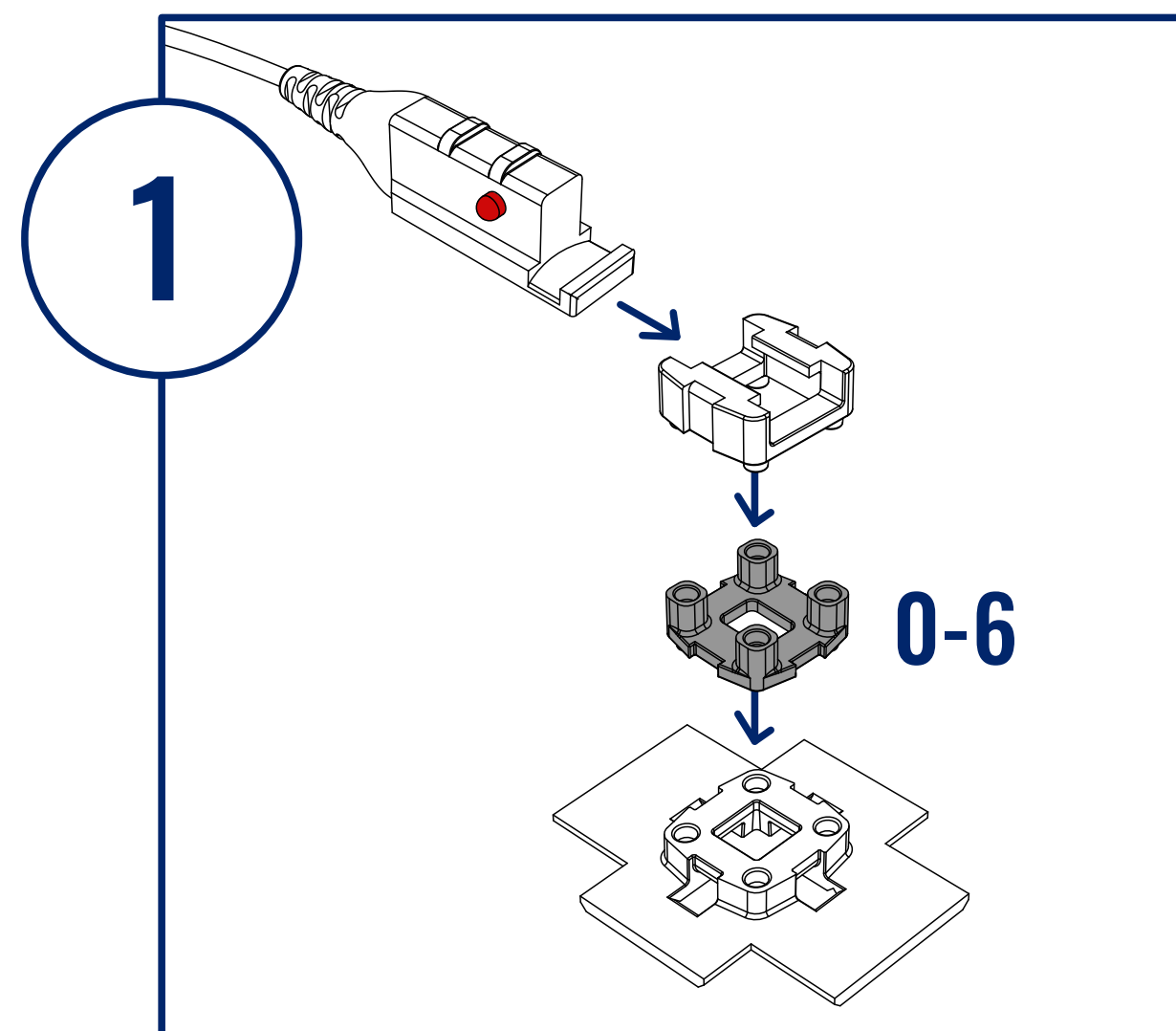
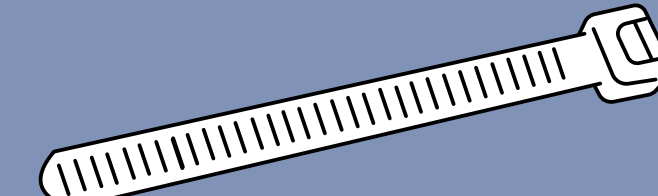
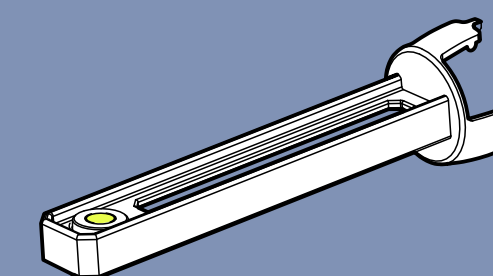
Find Location



2.A

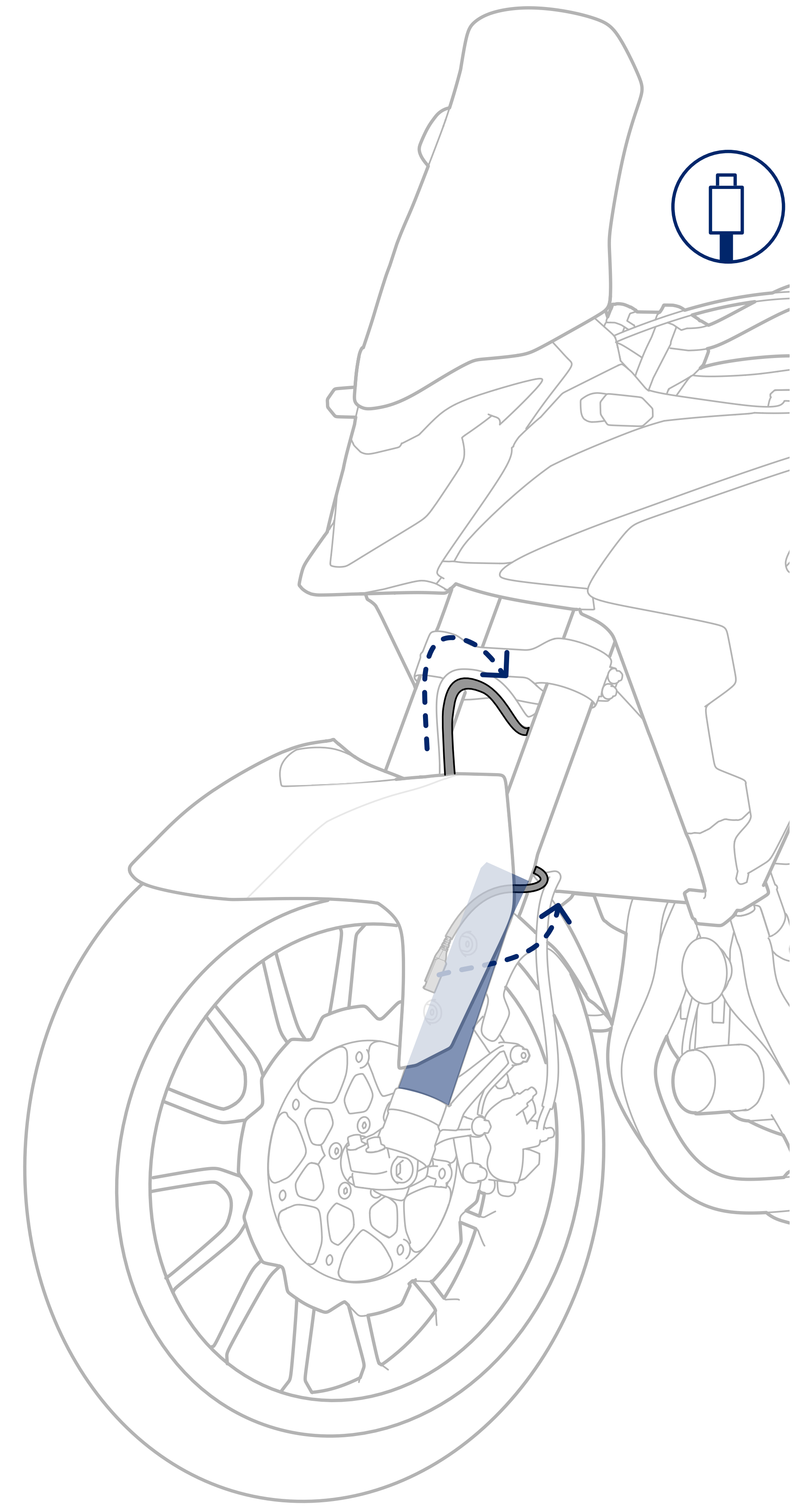
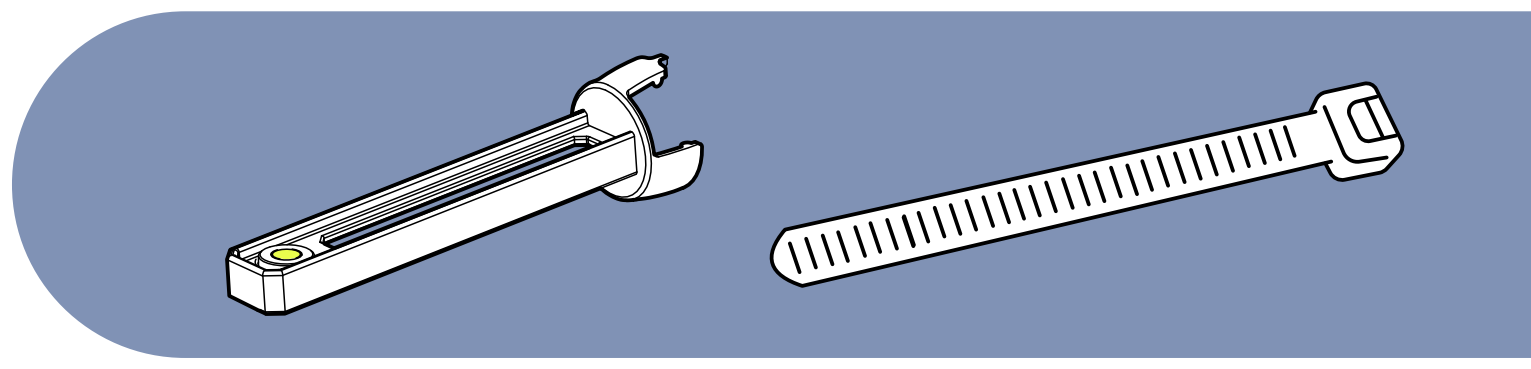
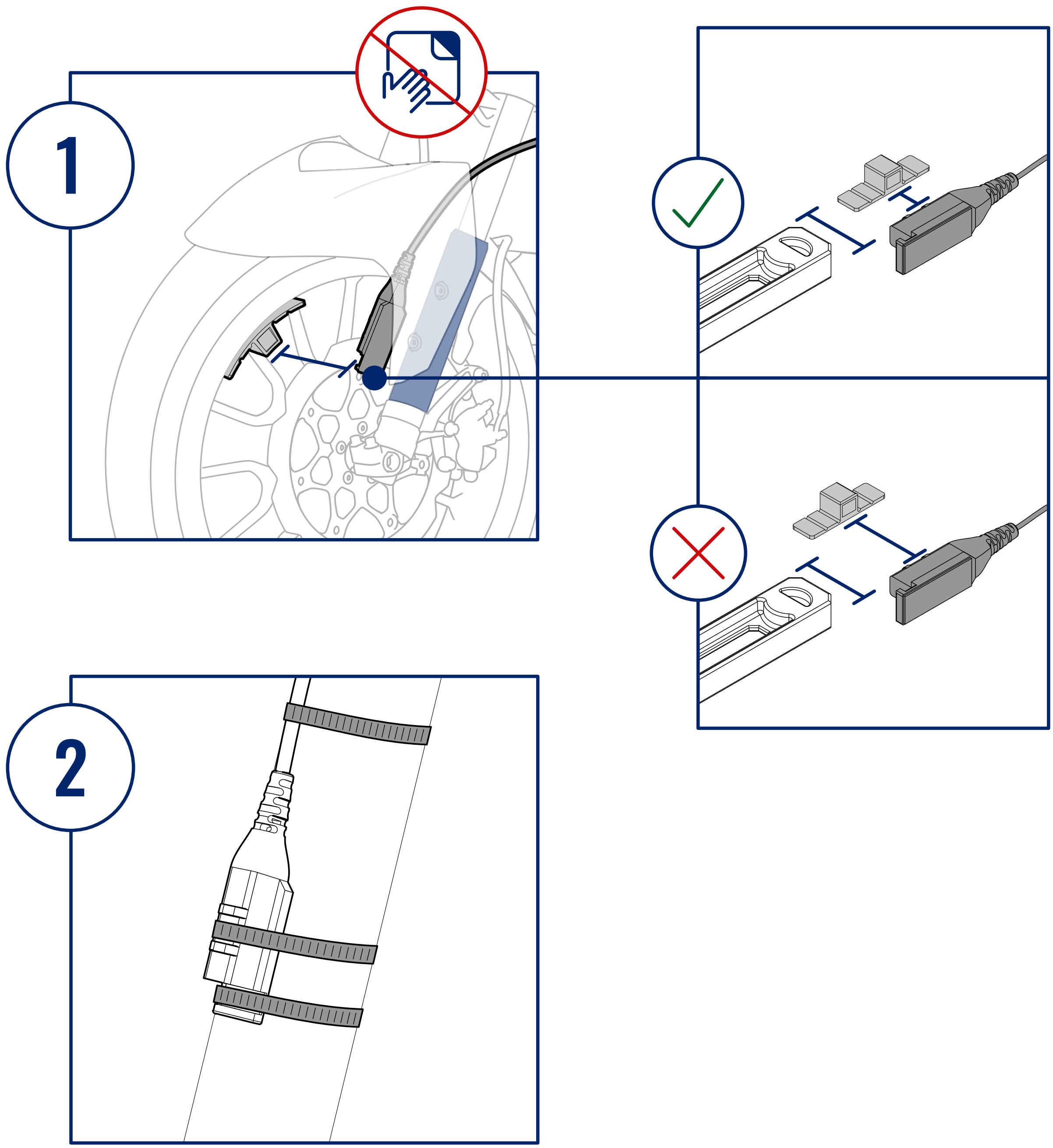


x6





2.B

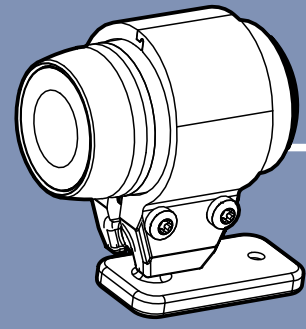




3



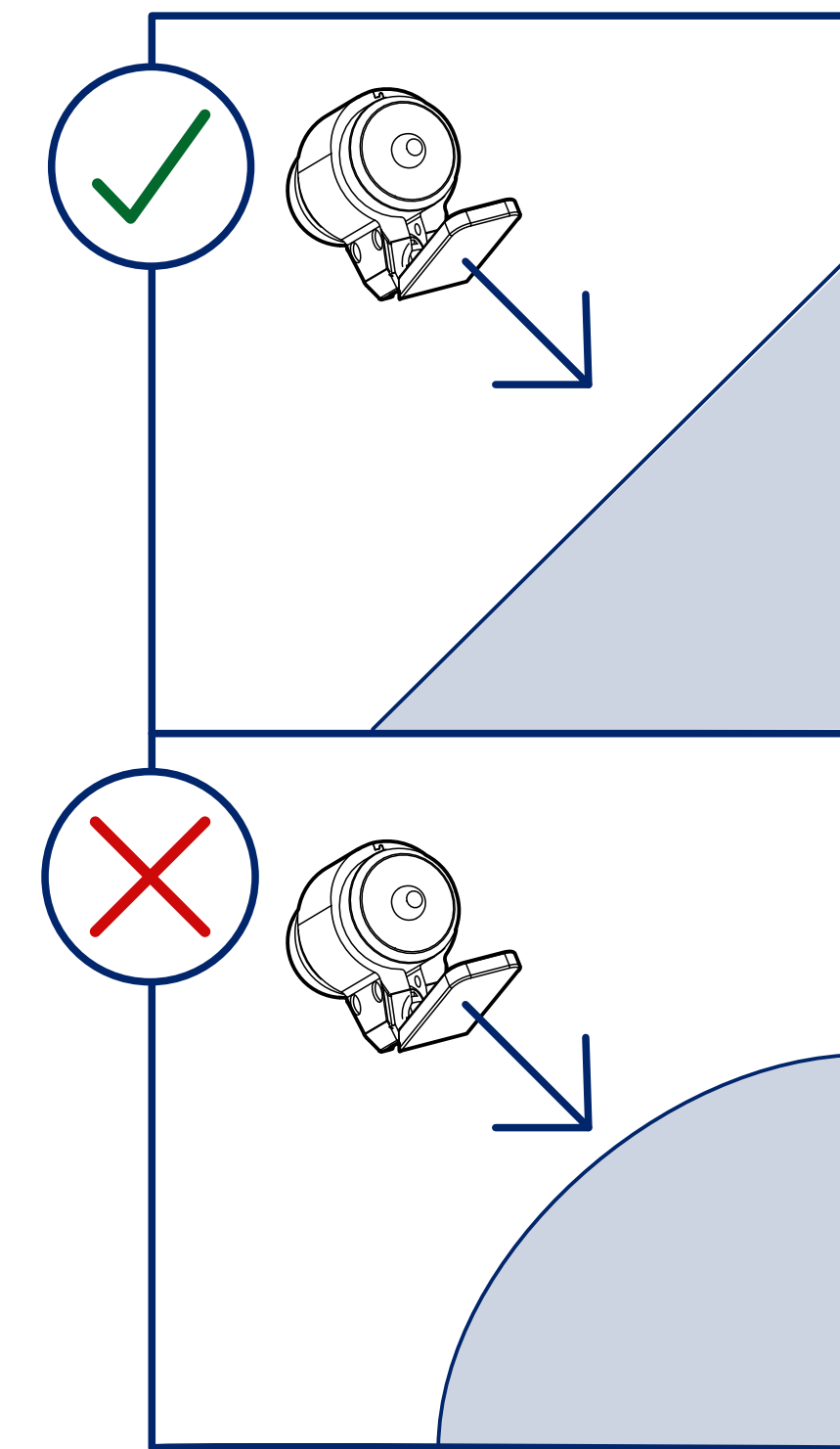
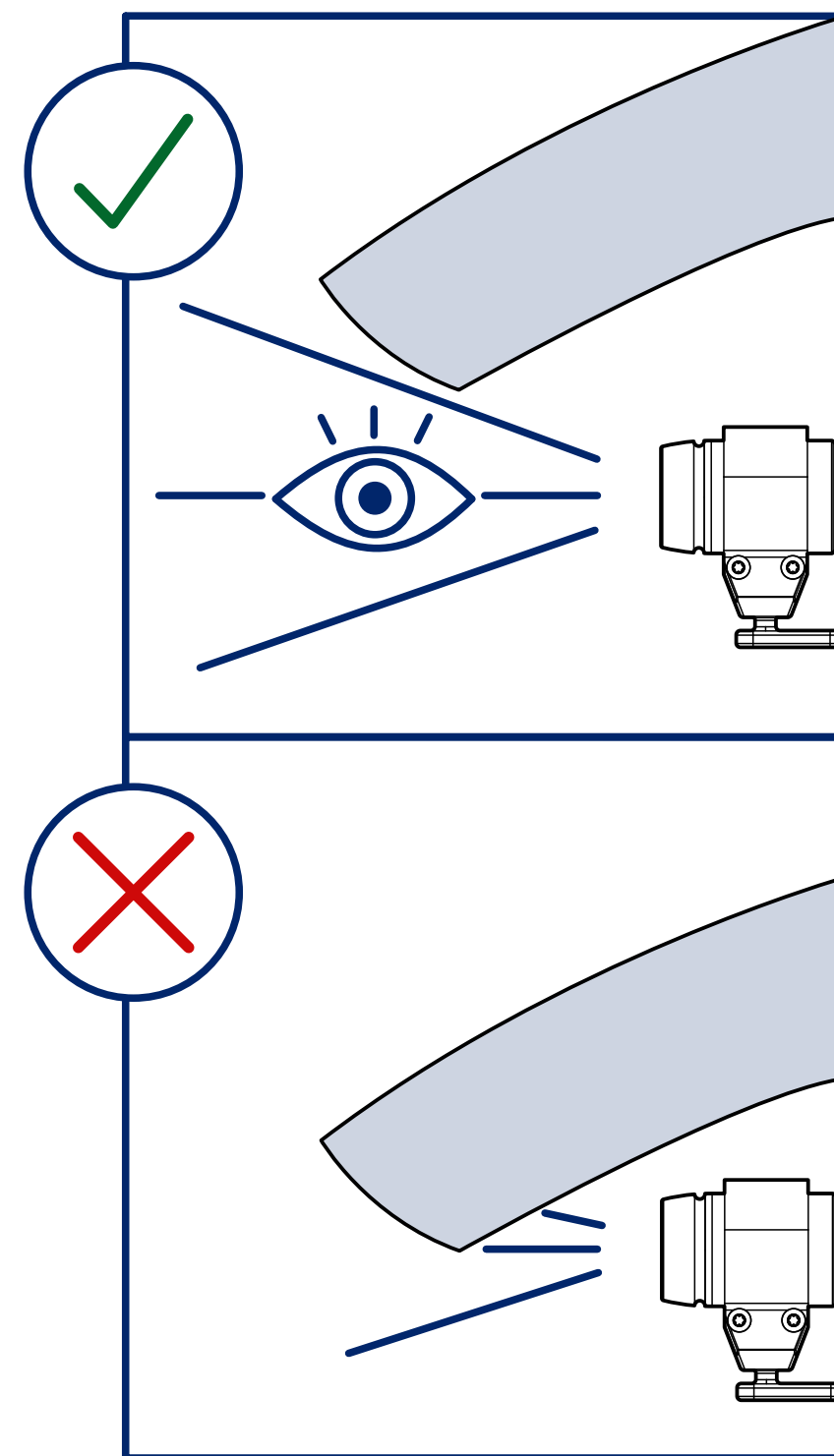
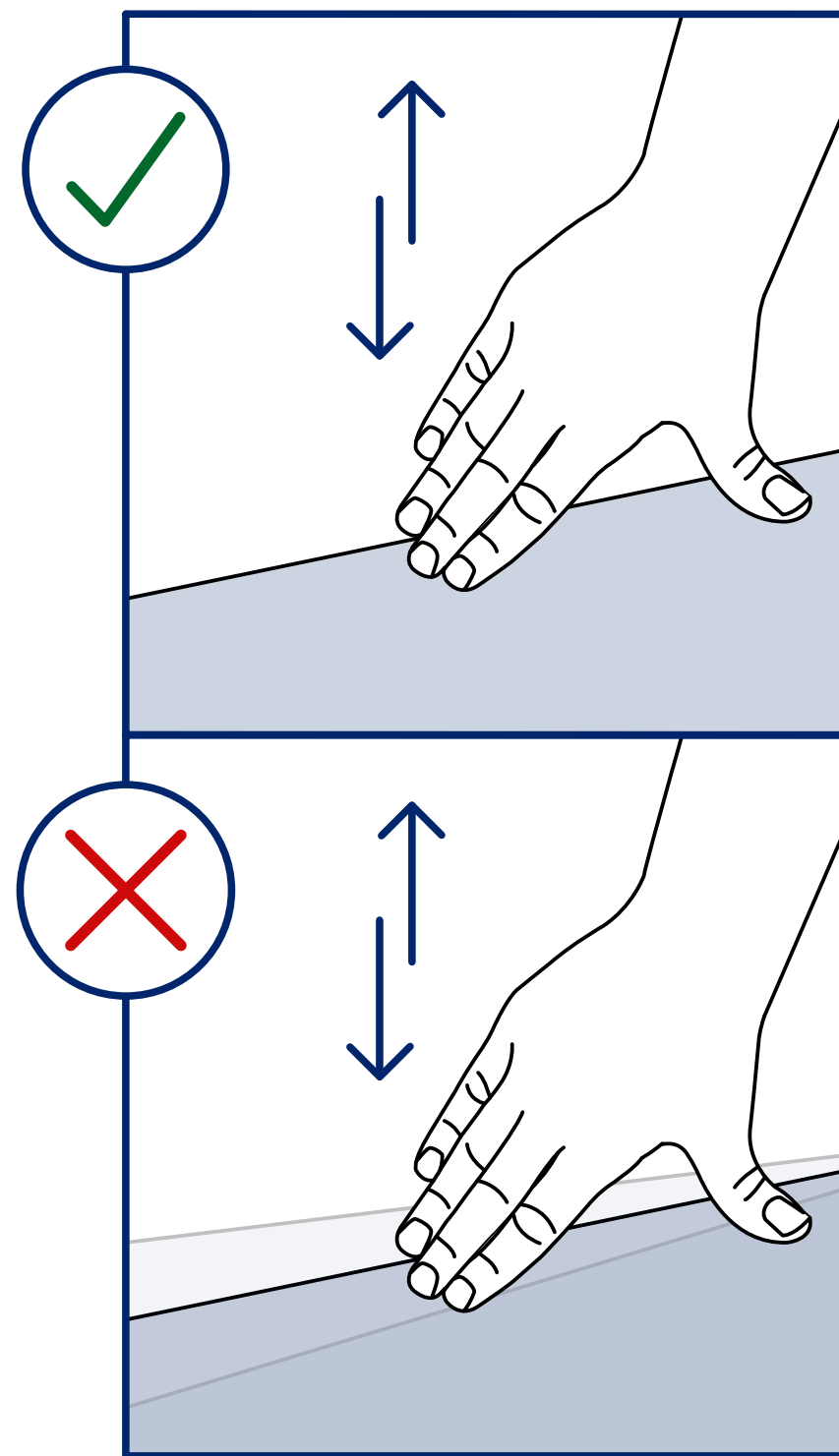
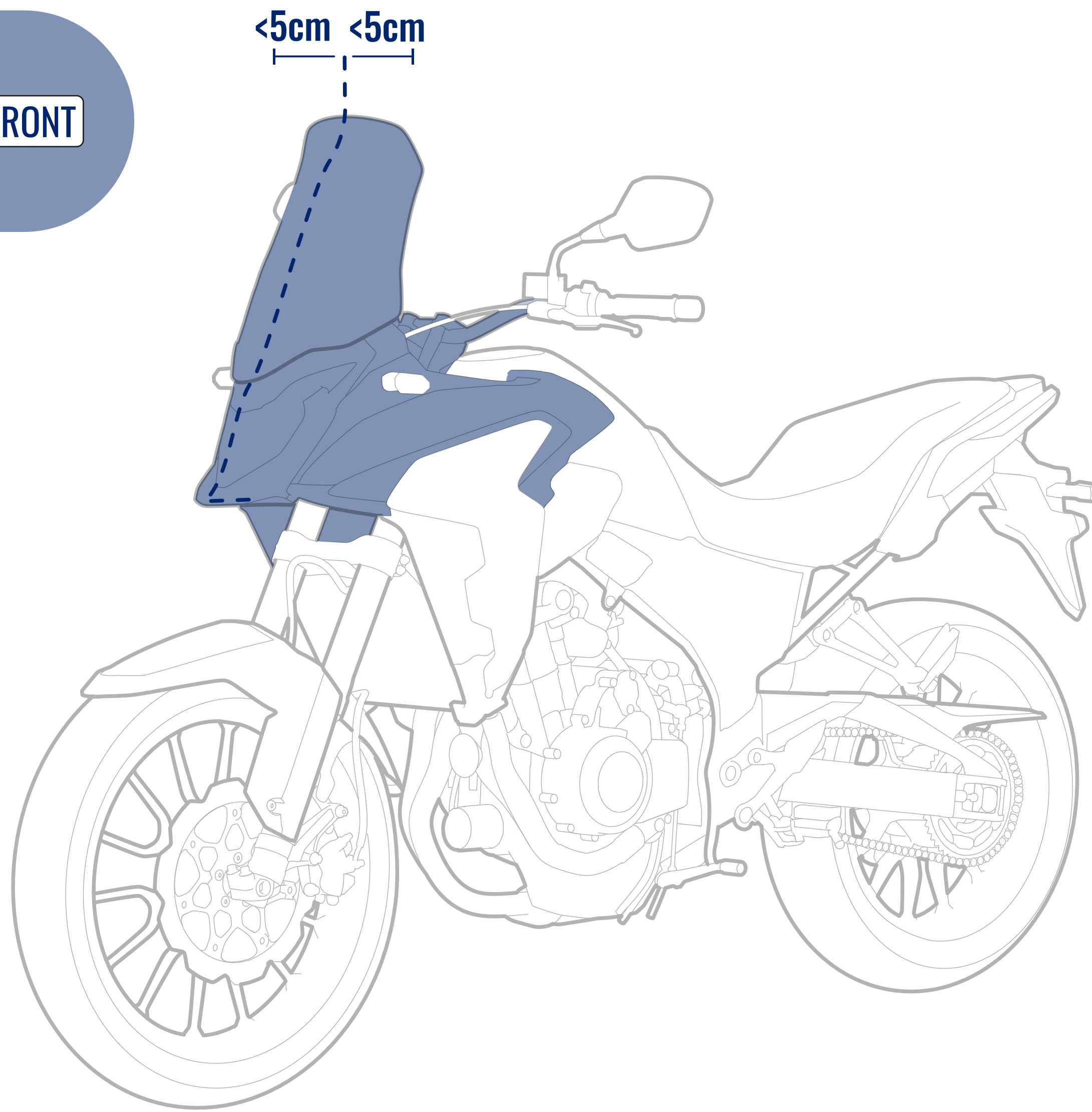
Find Location



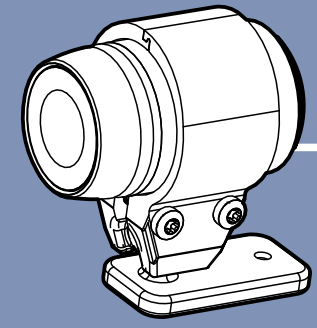
FRONT

<5cm <5cm

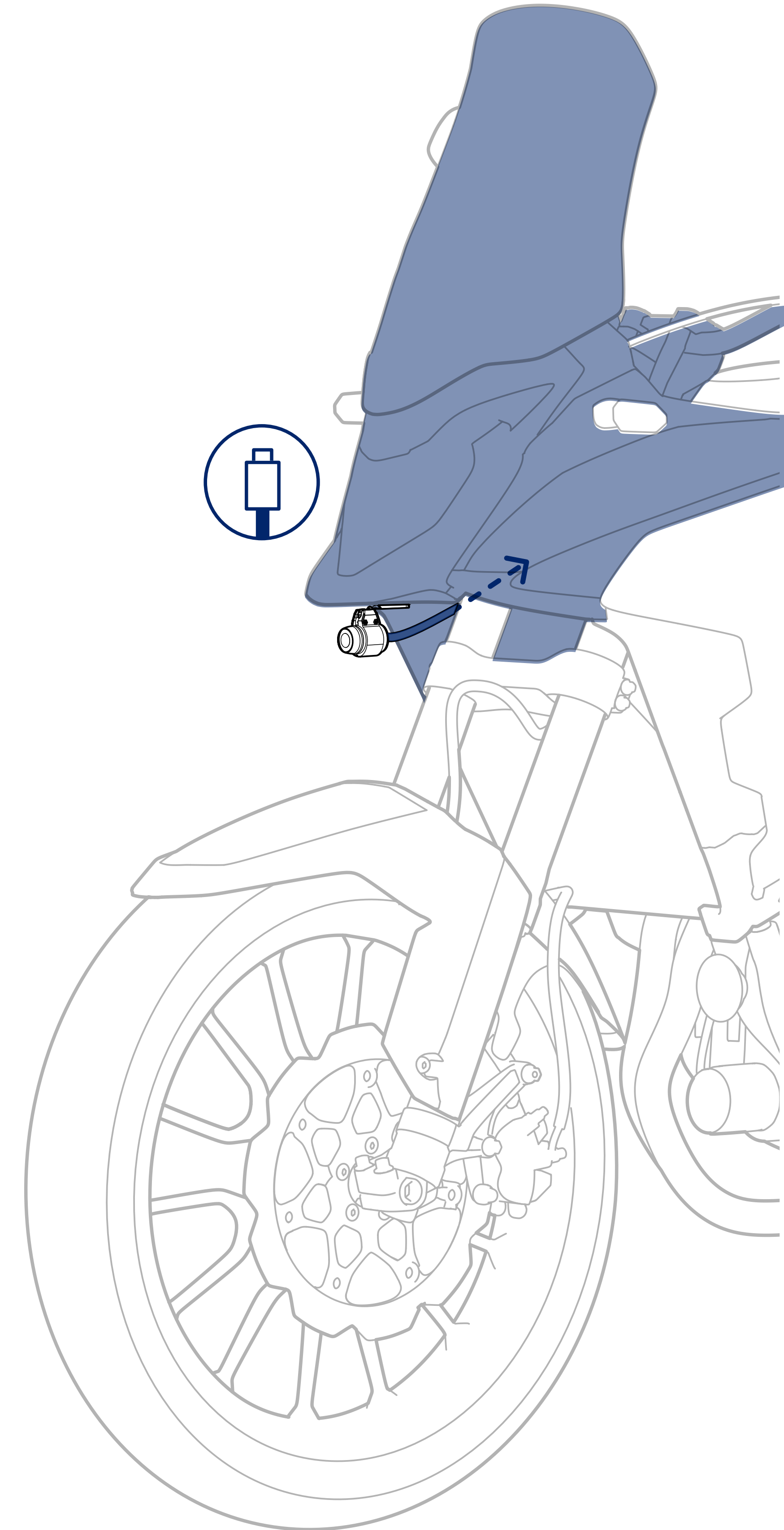
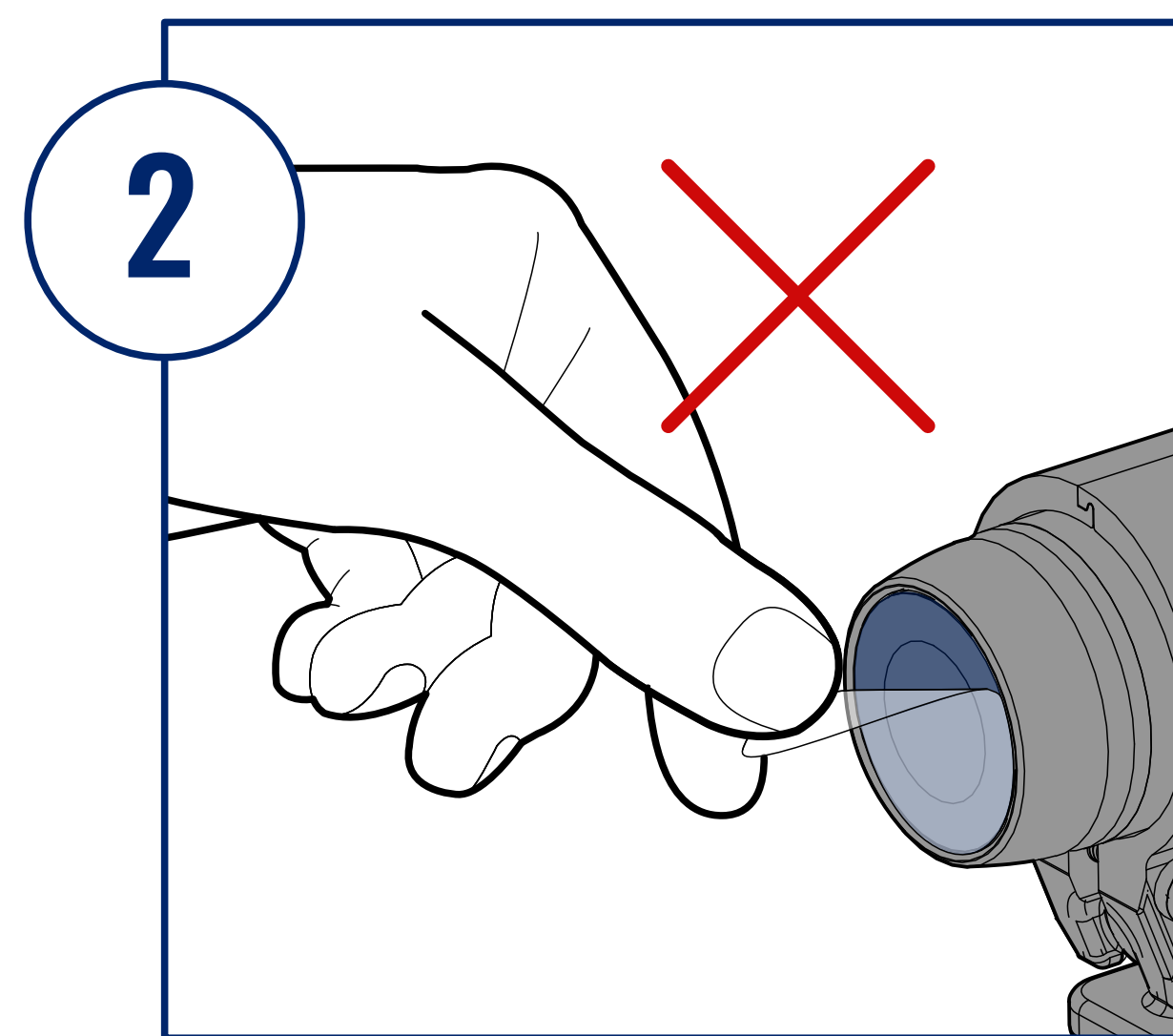
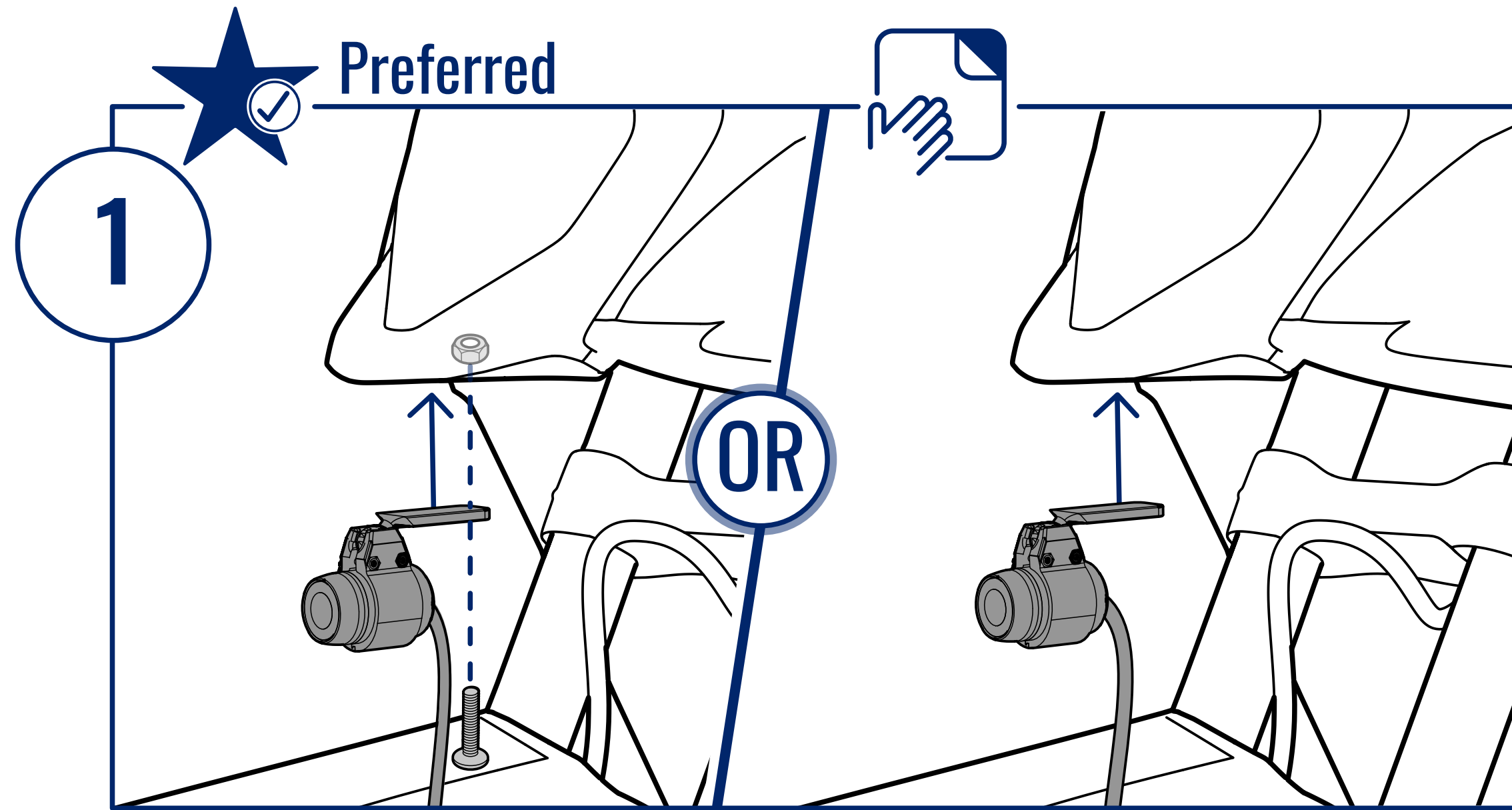
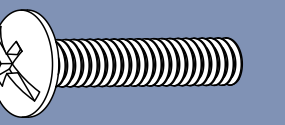
min 70cm



3



FRONT

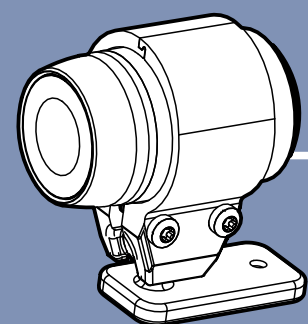




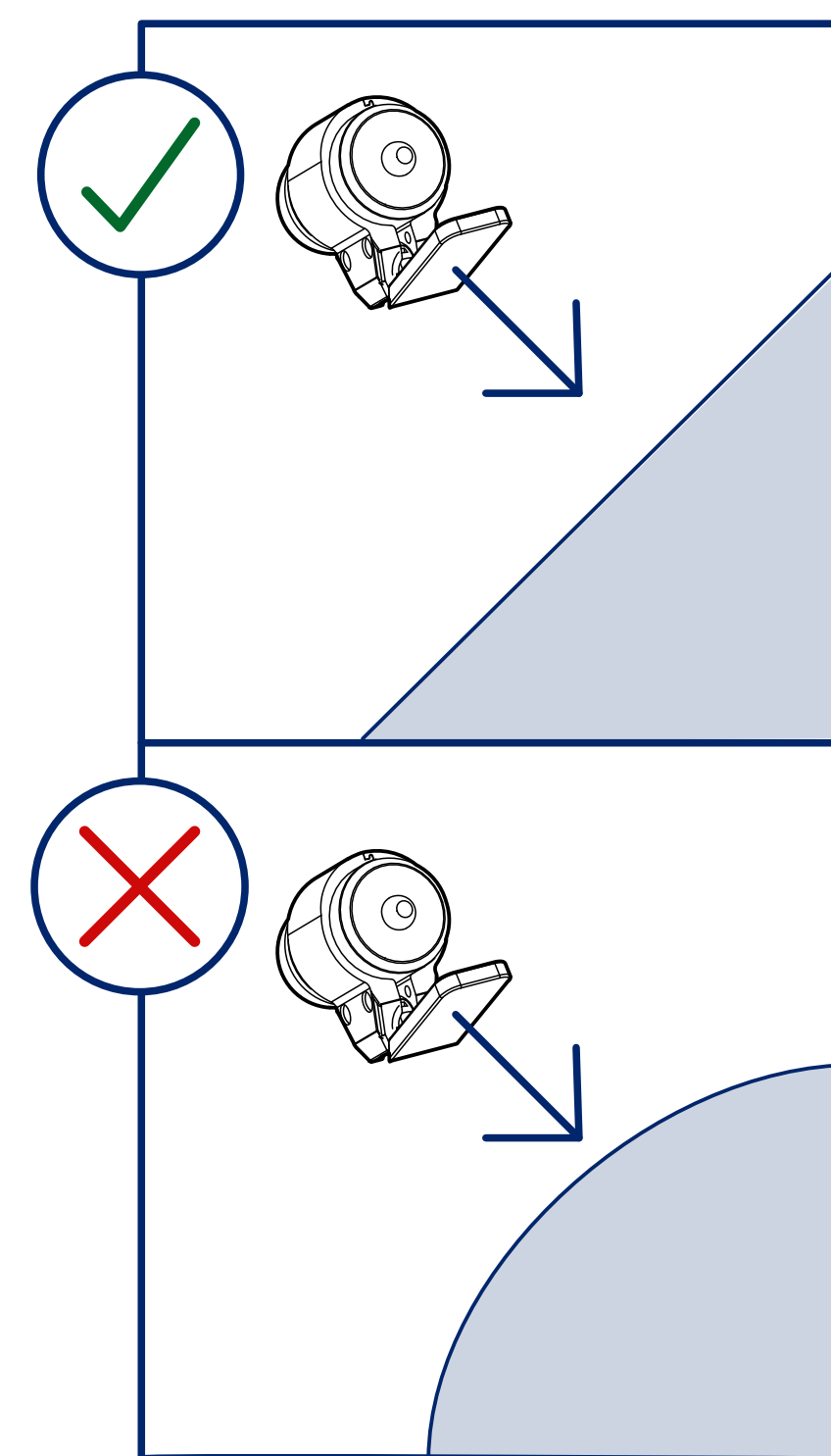
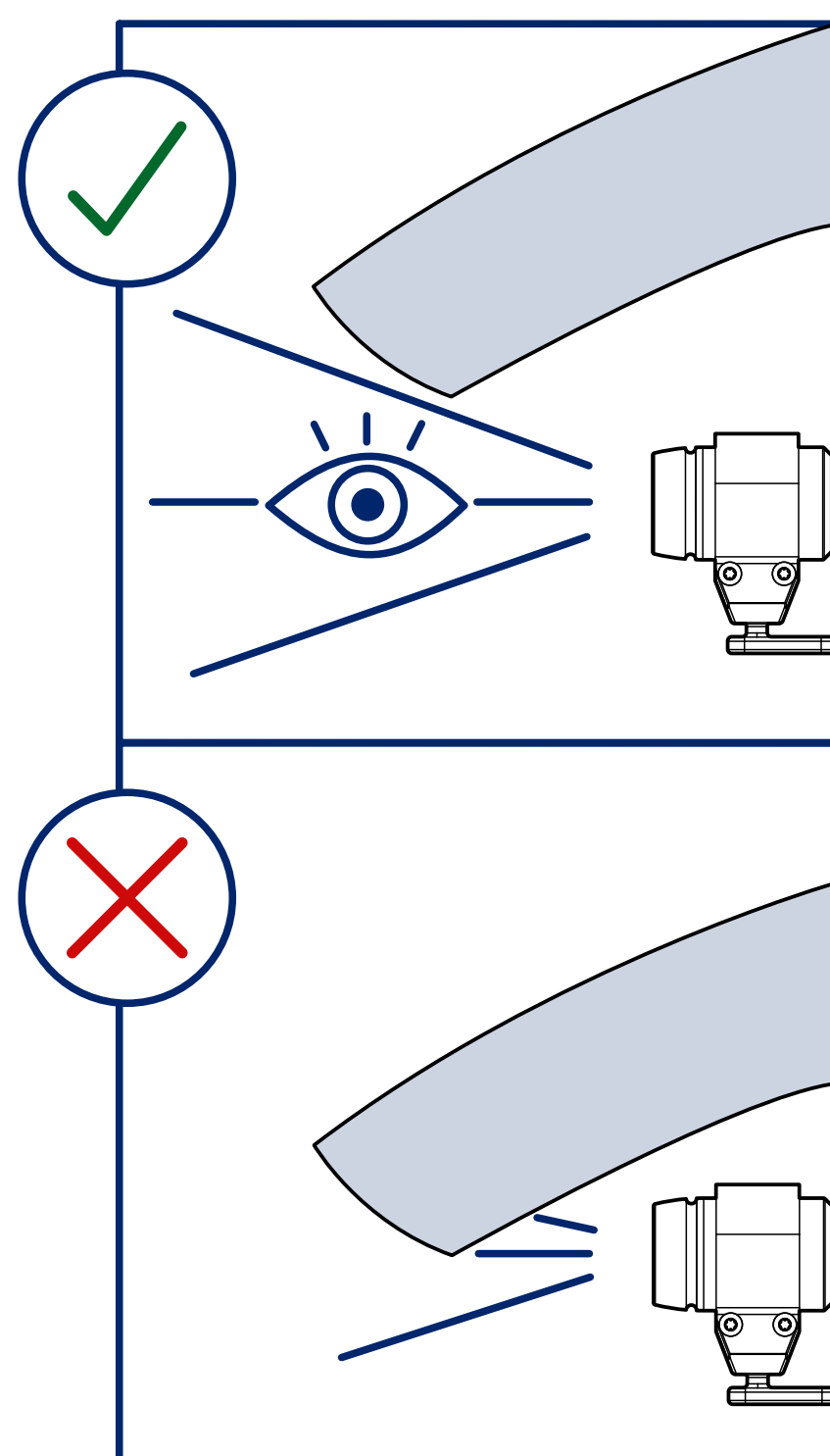
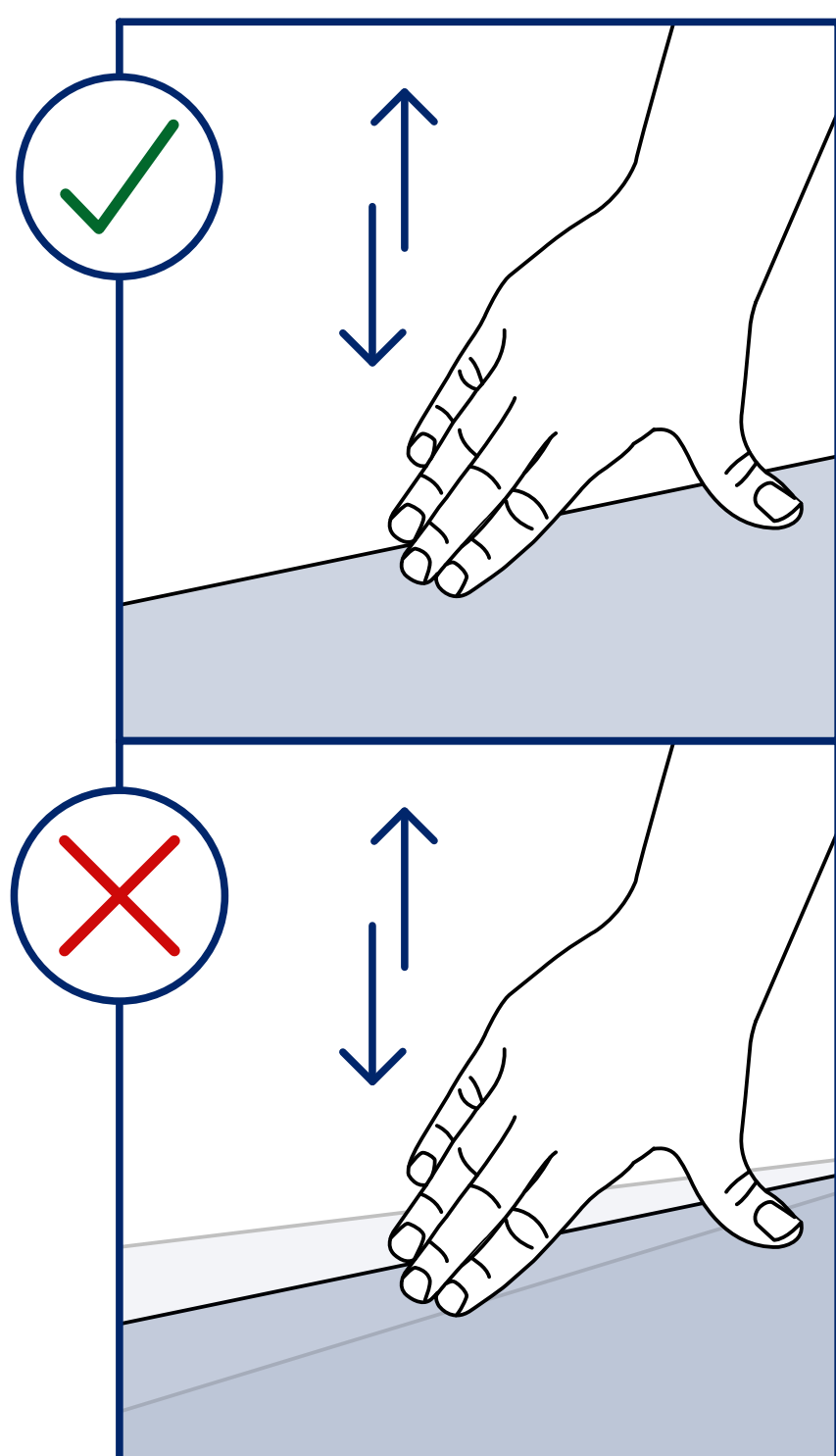
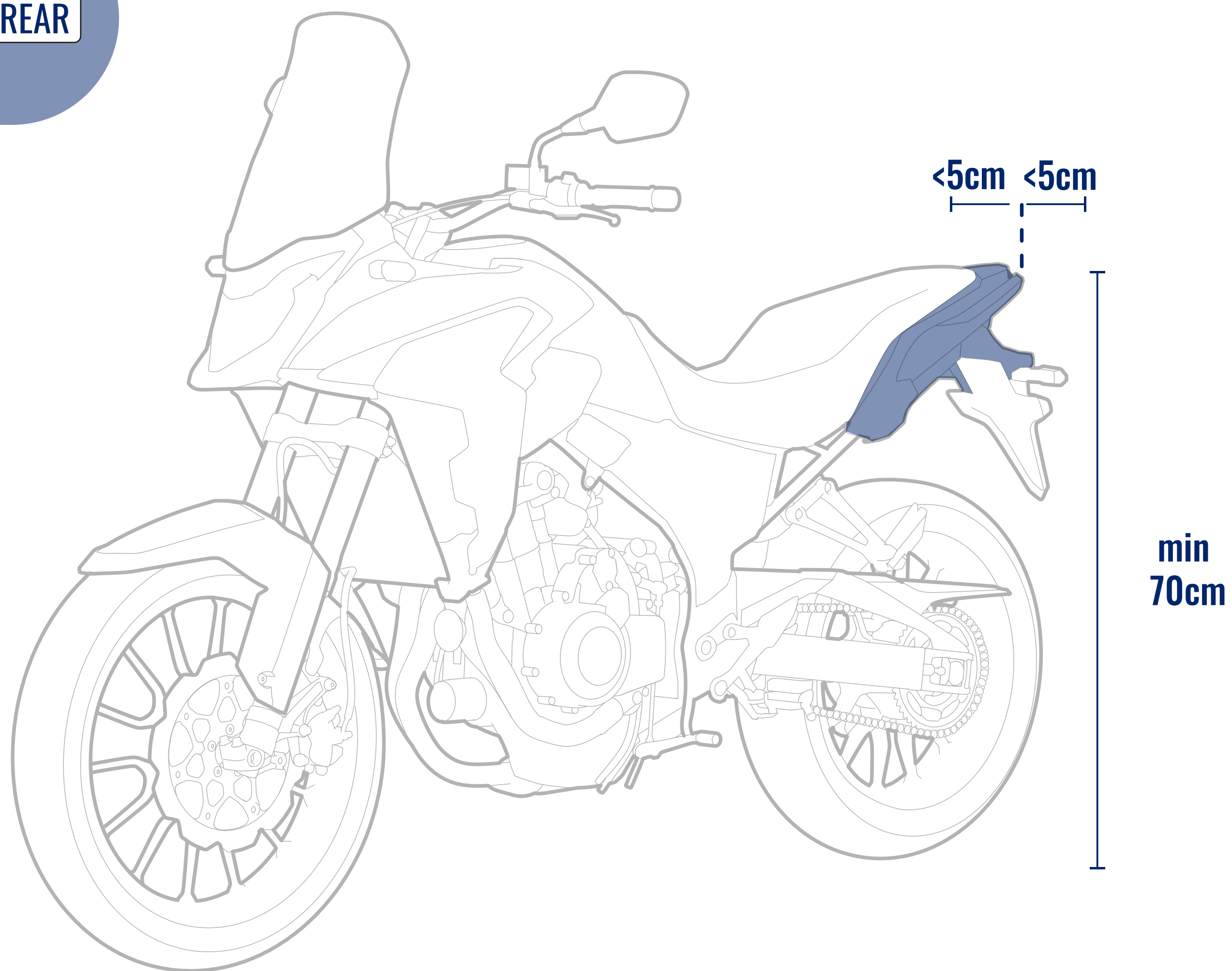
4



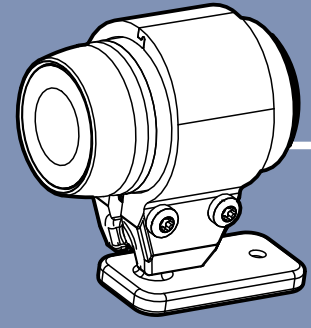
Find Location



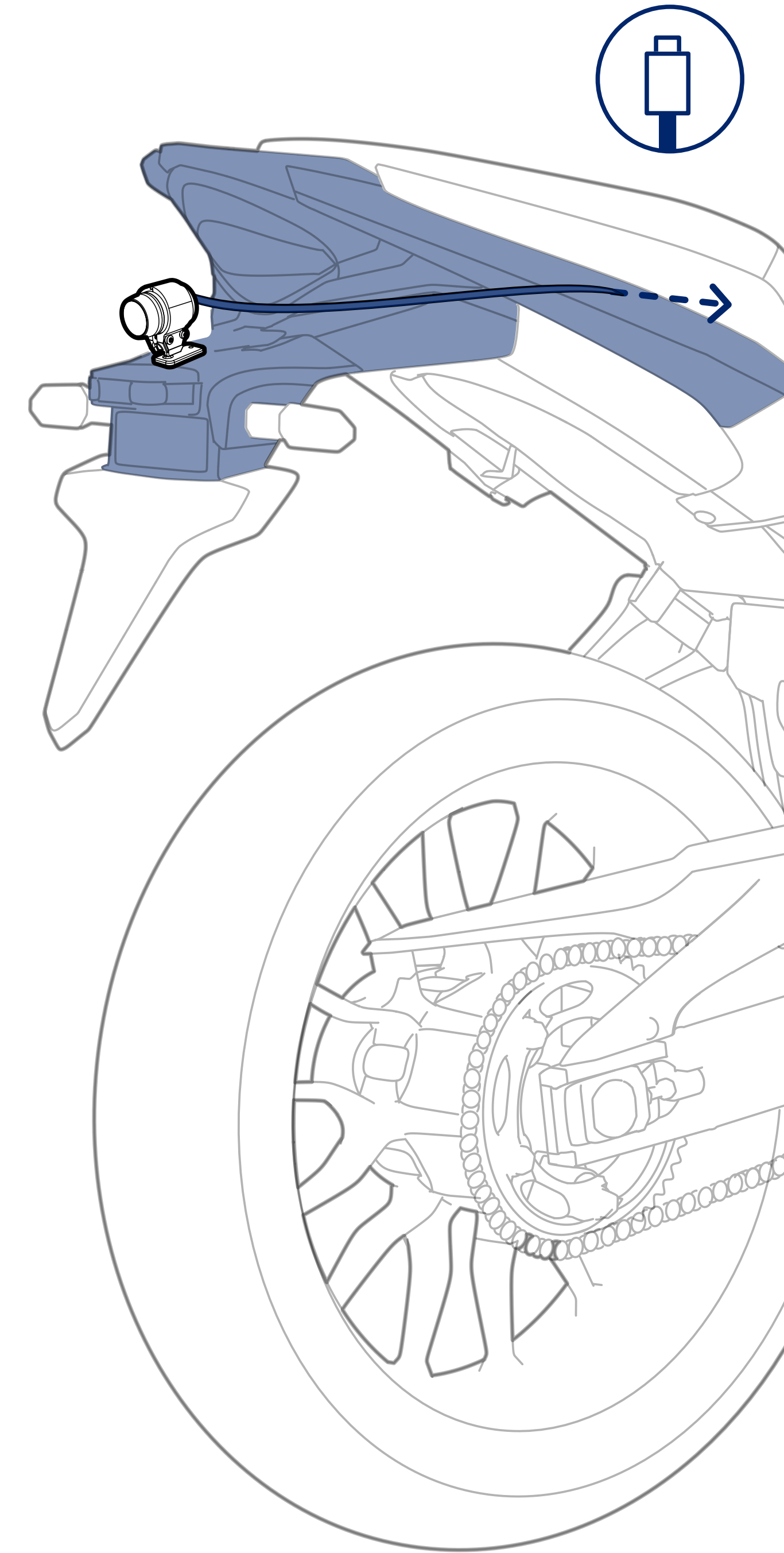
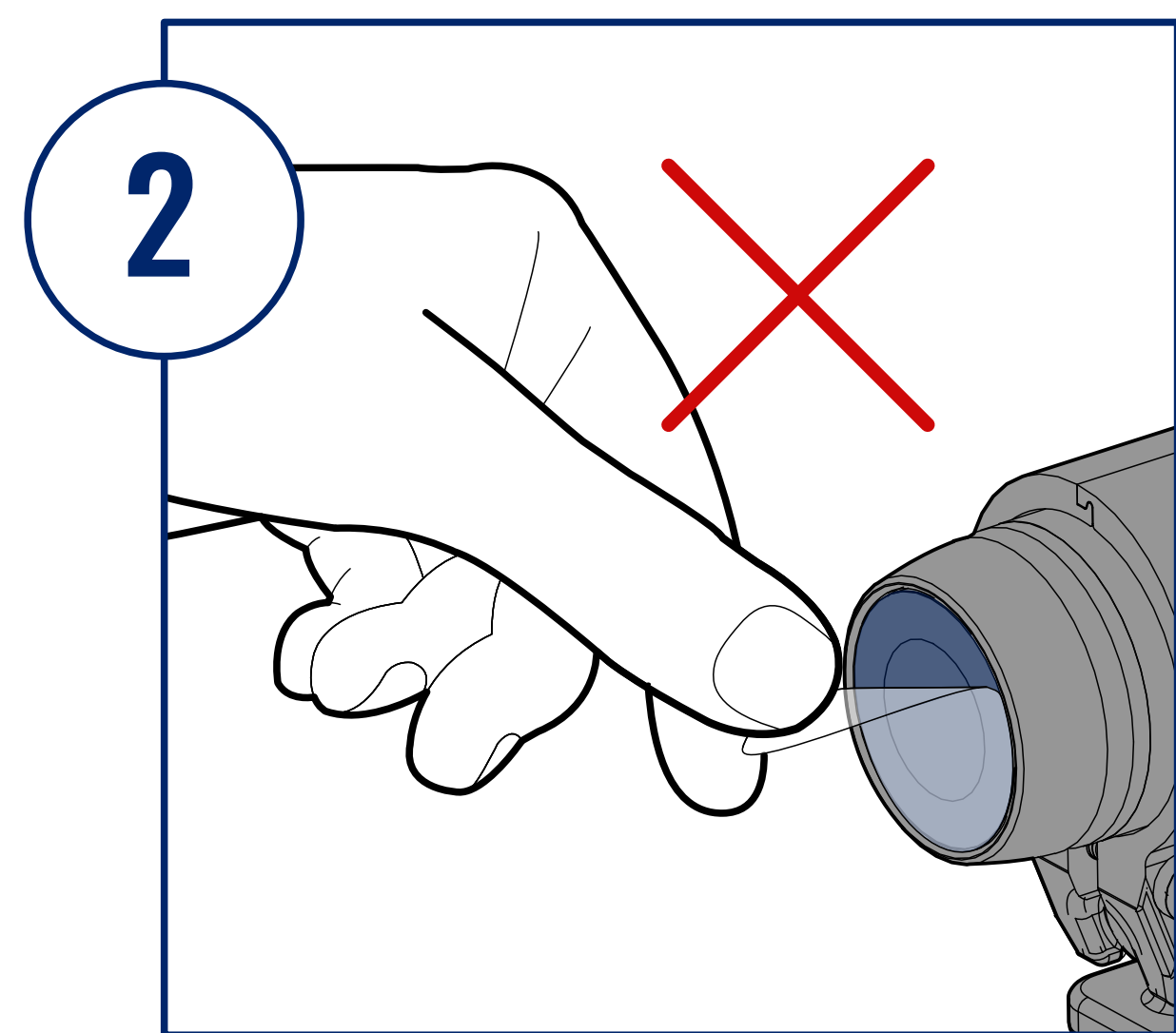
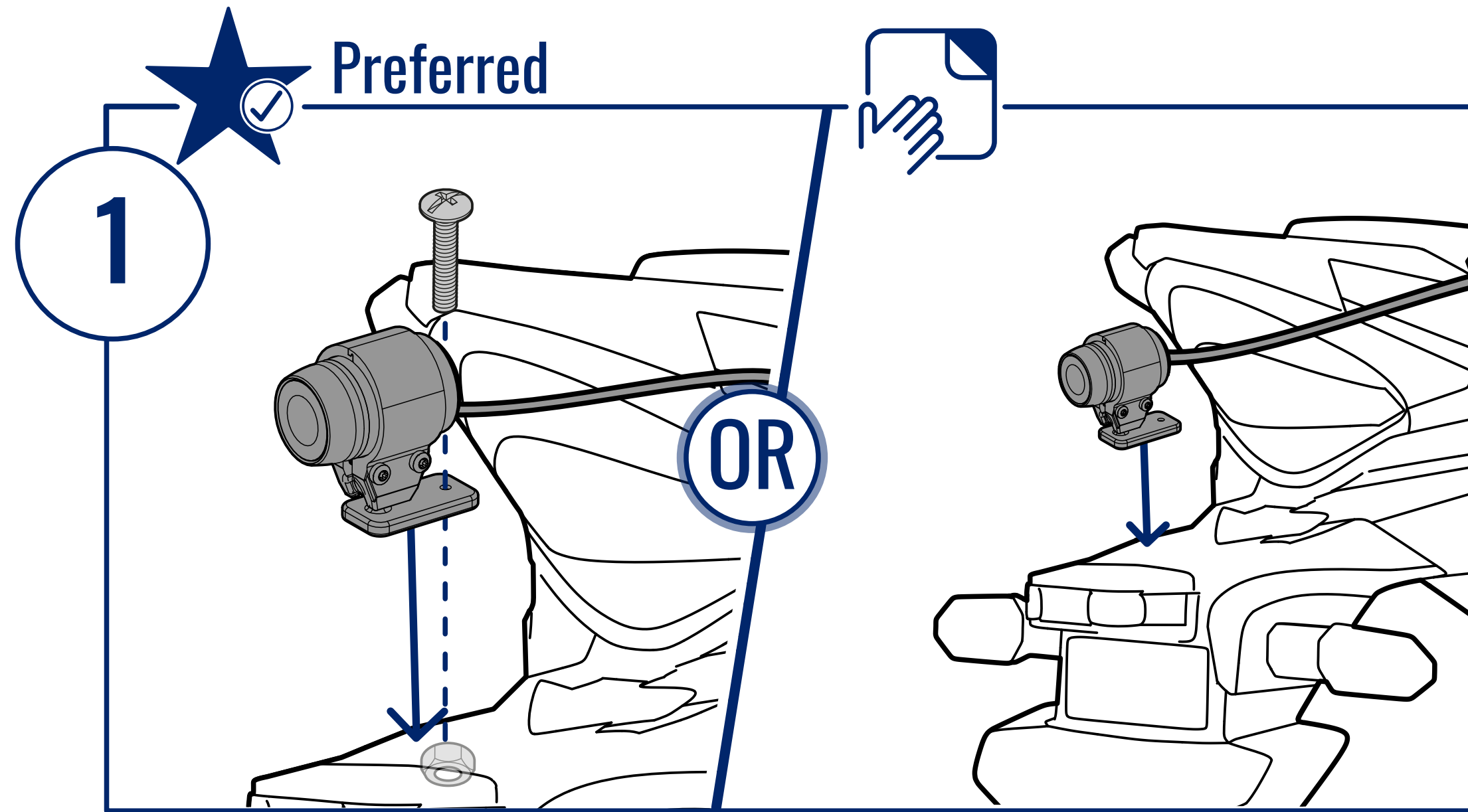
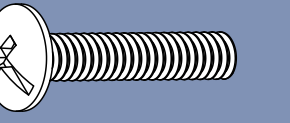
REAR



4

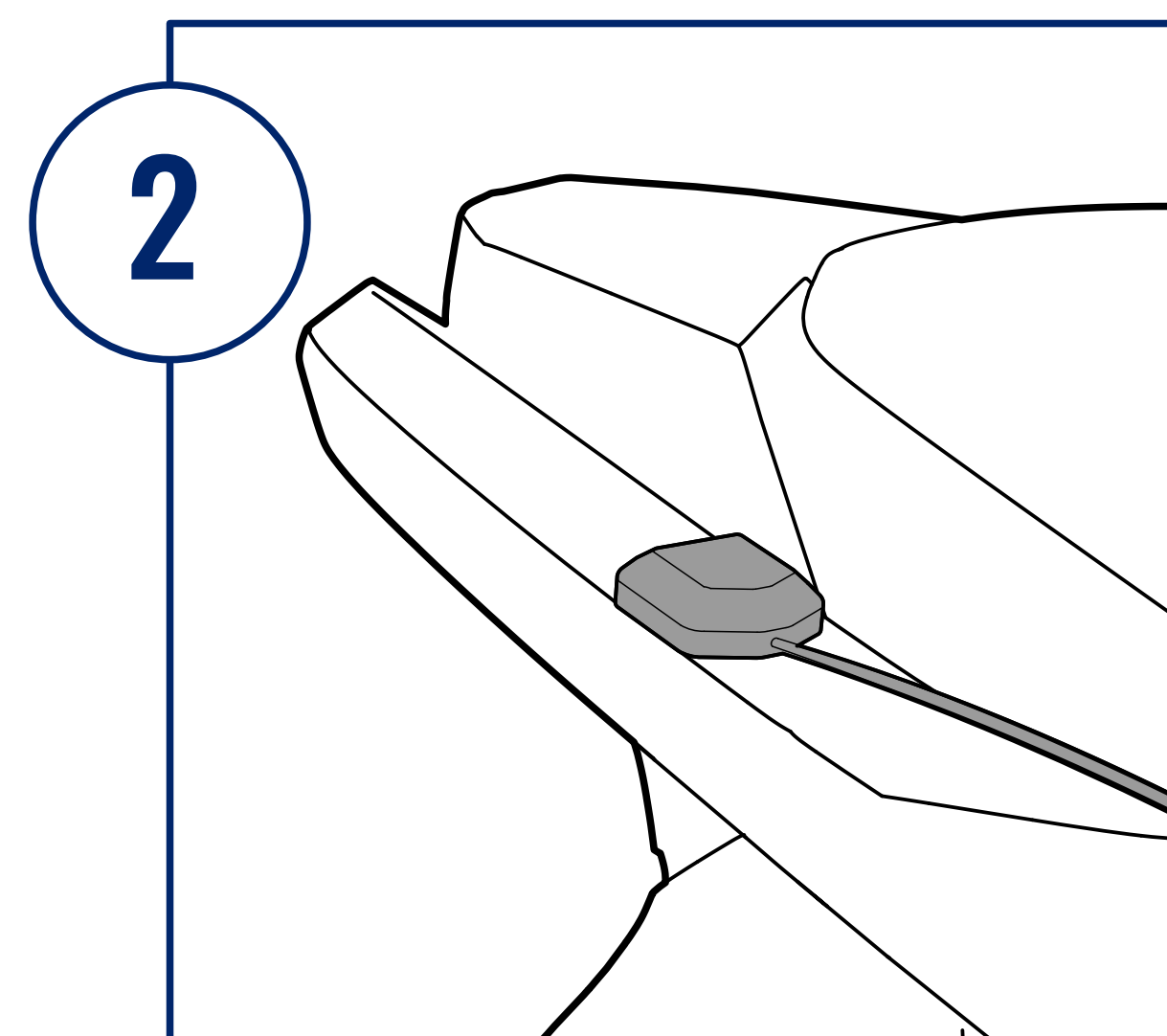
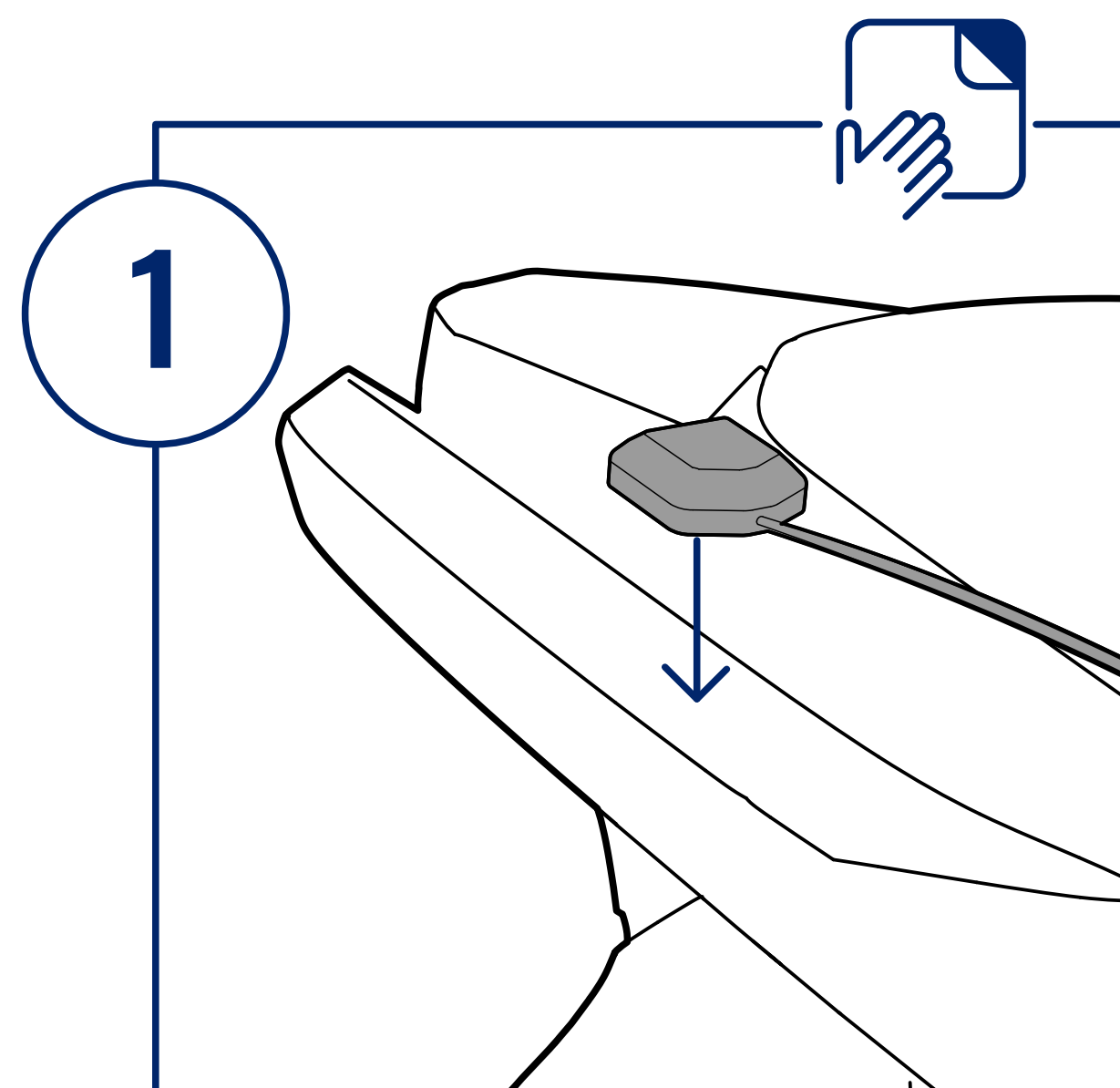
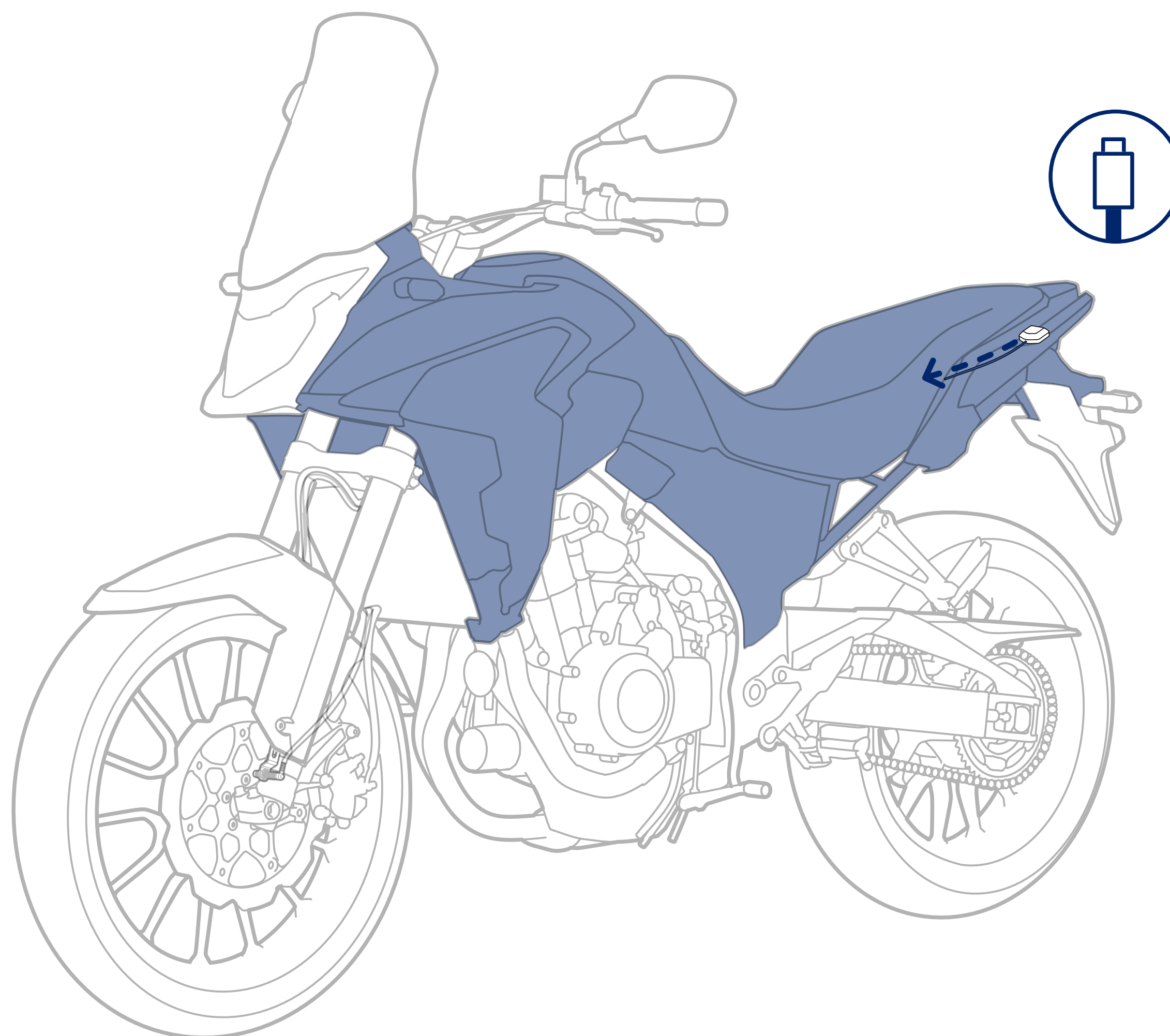
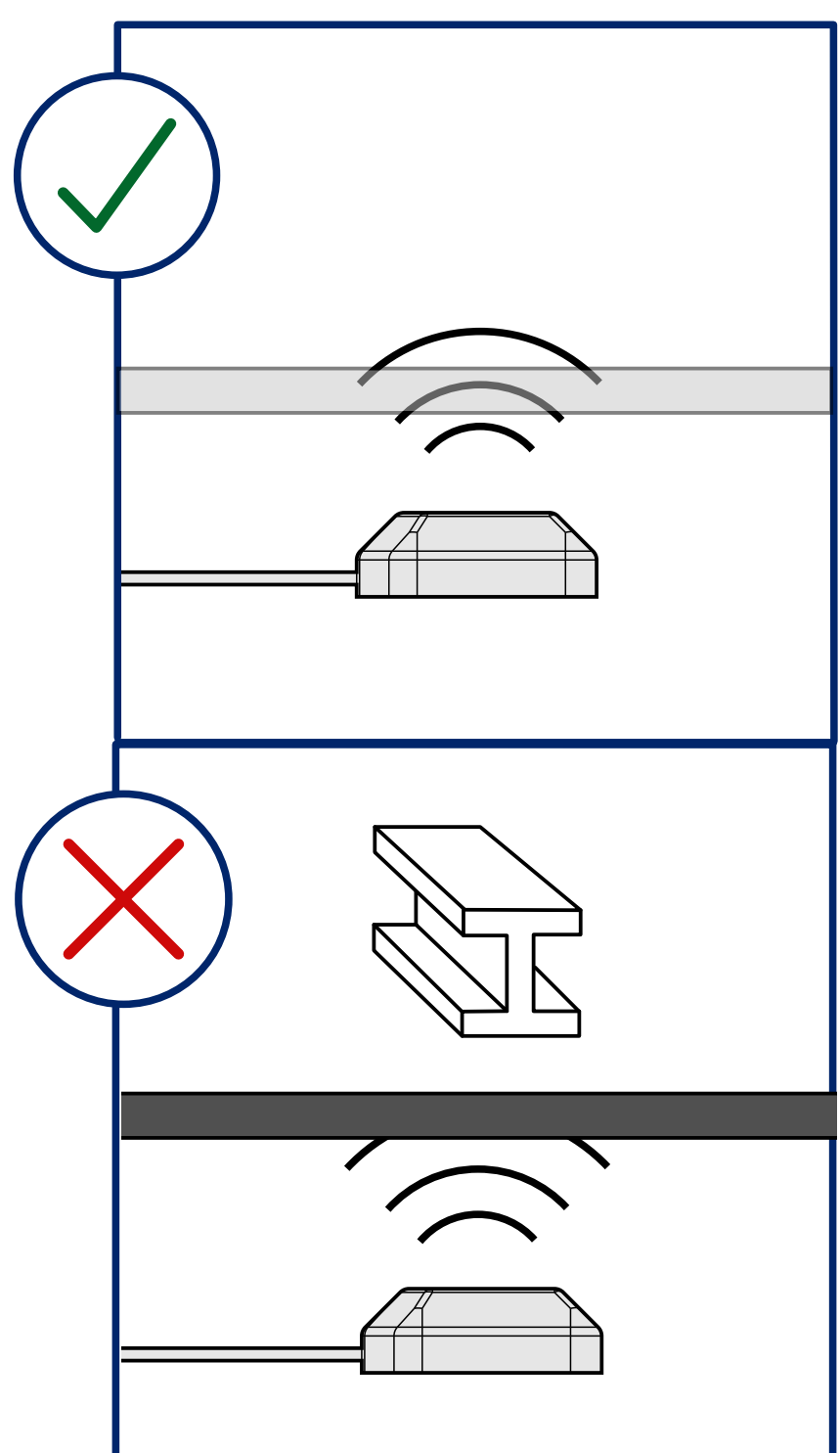
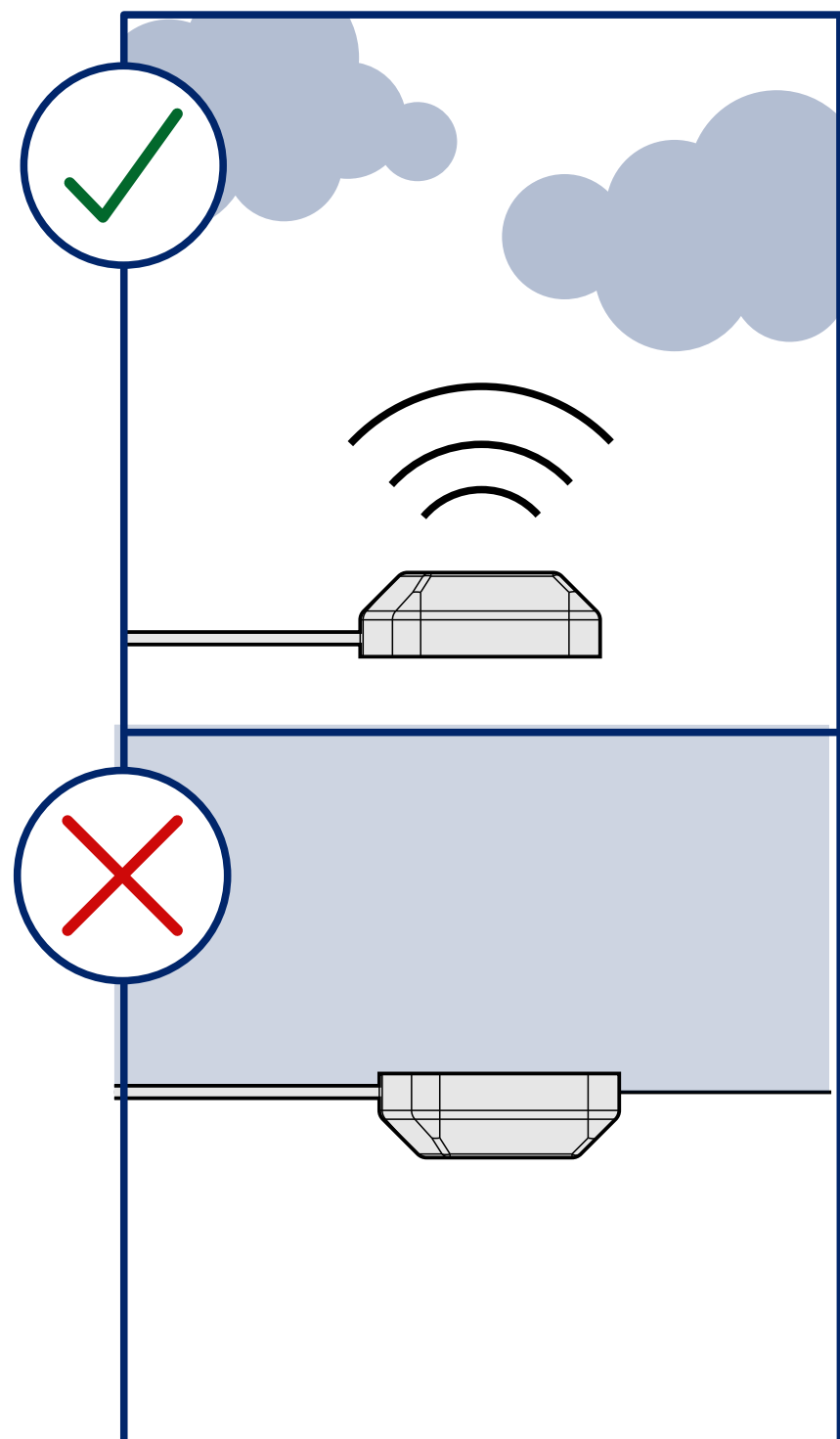
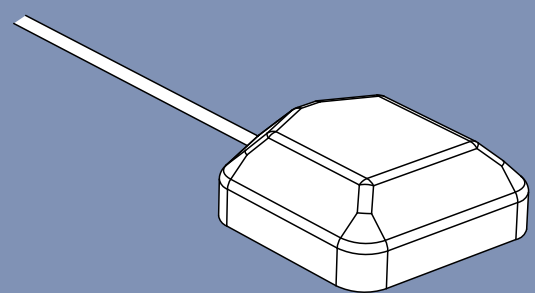


REAR

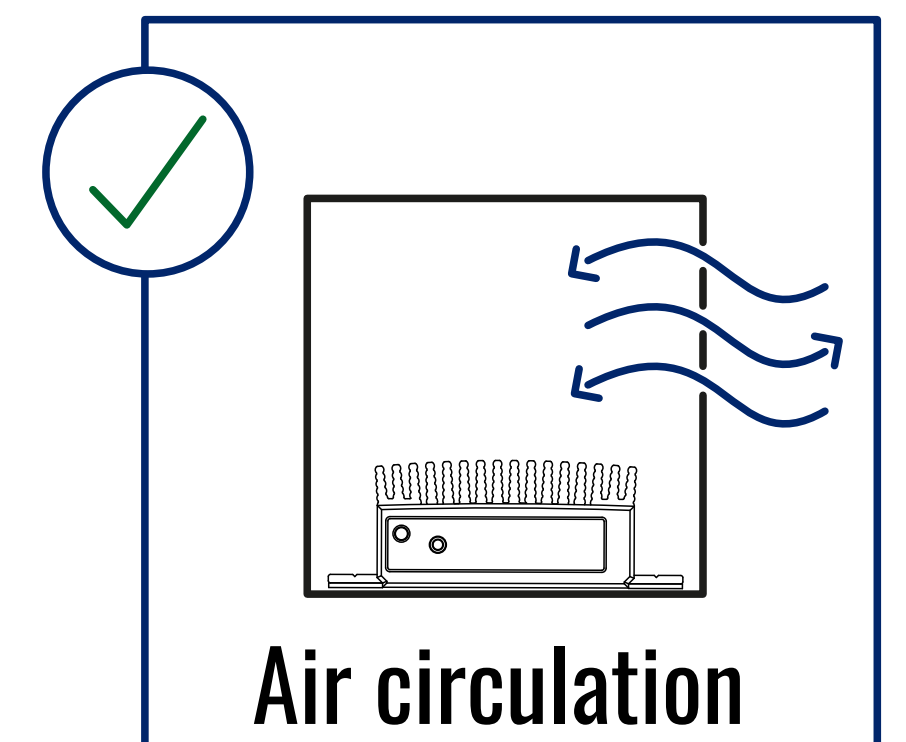
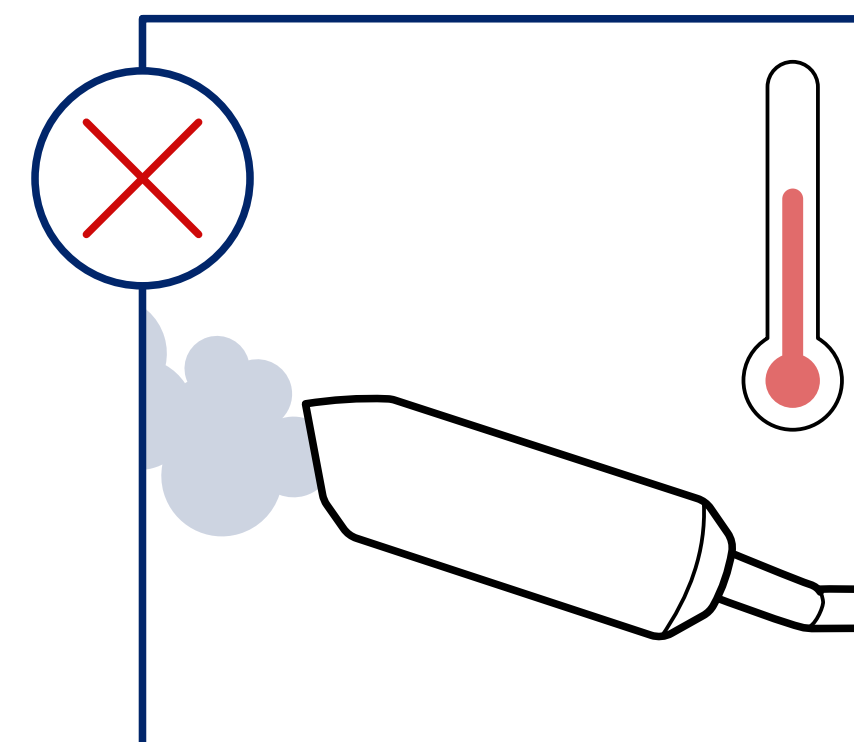
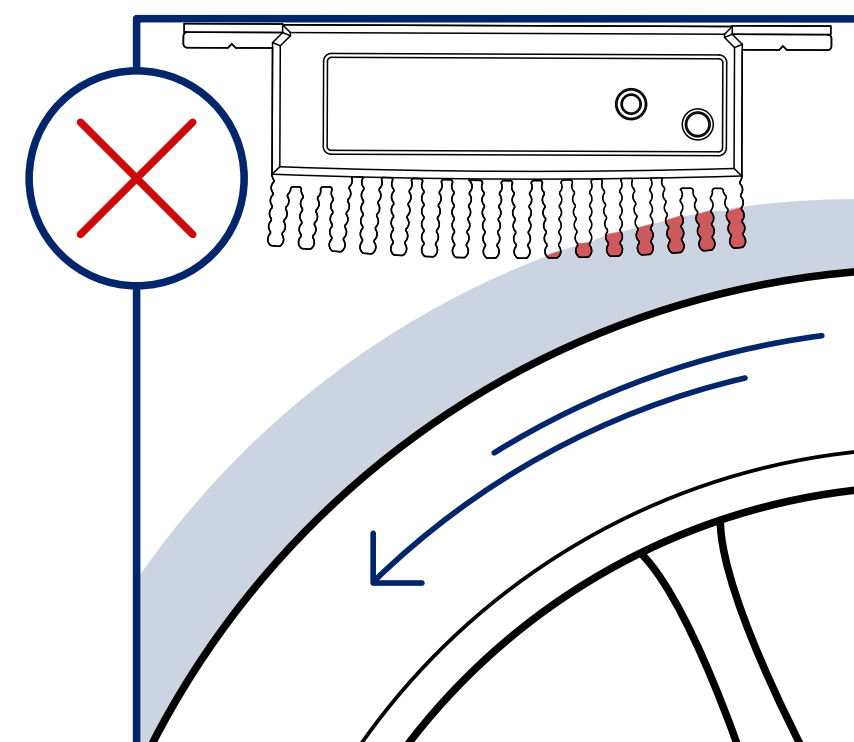
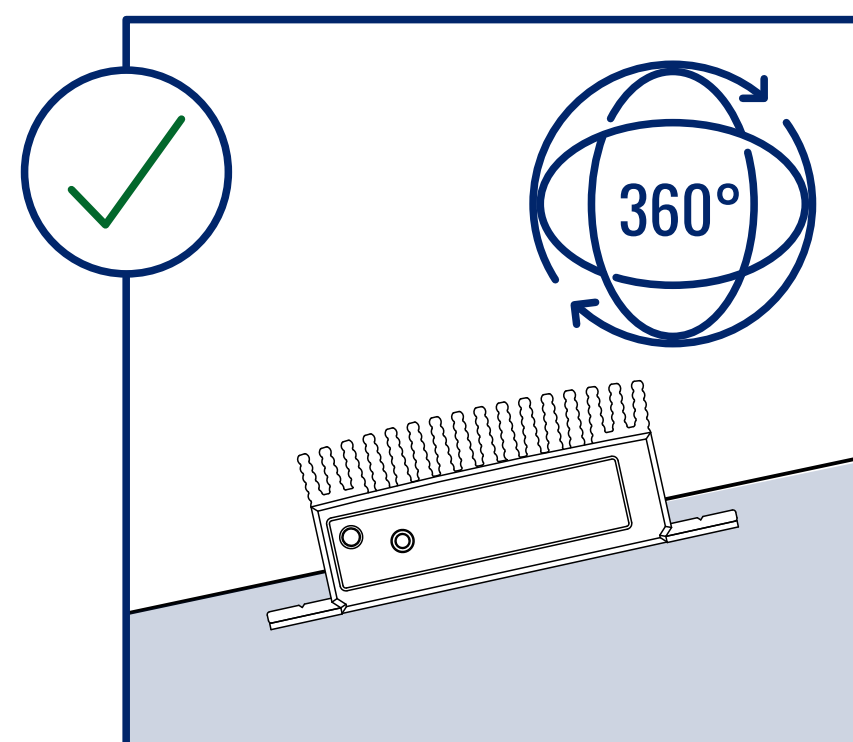
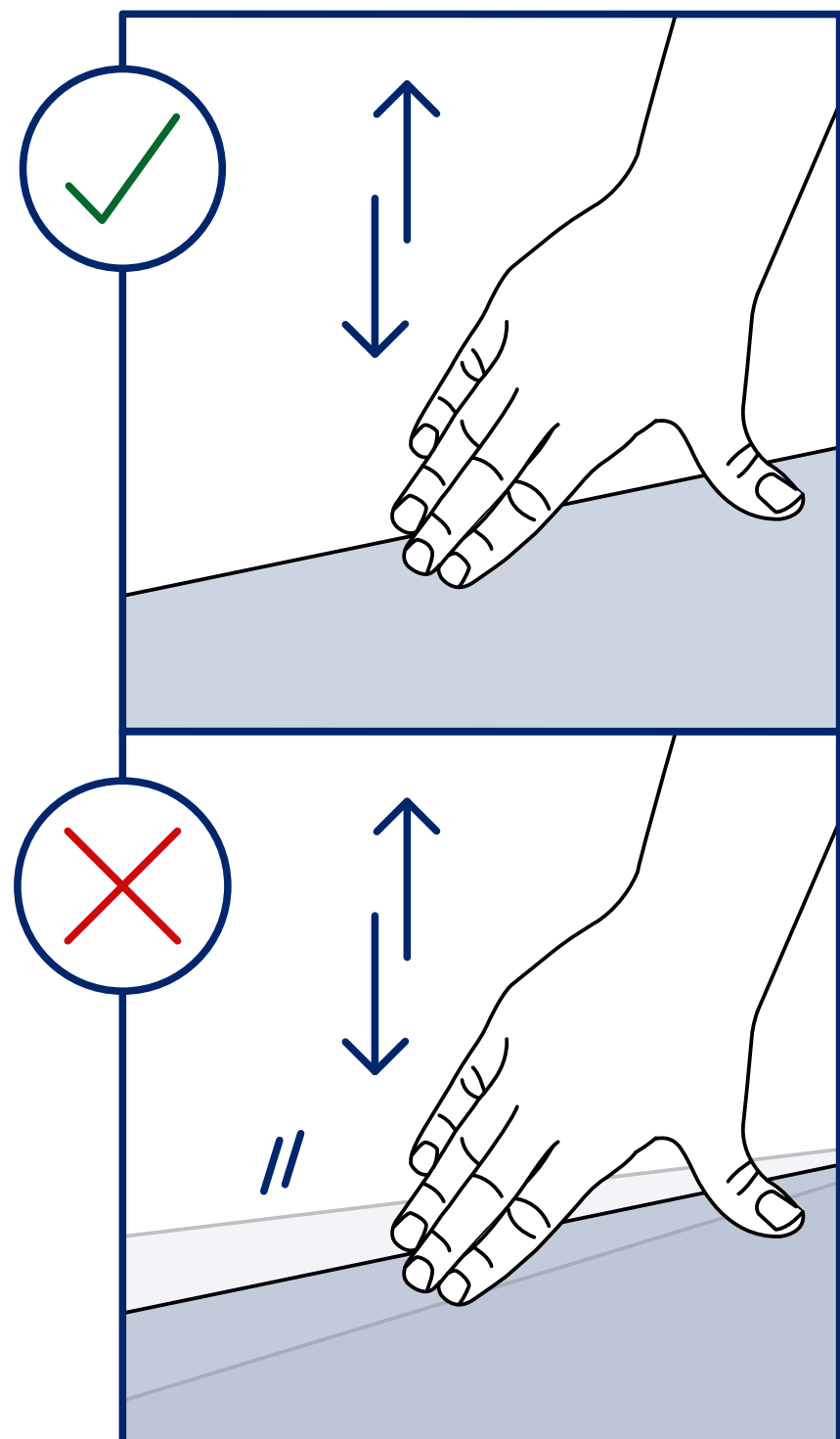
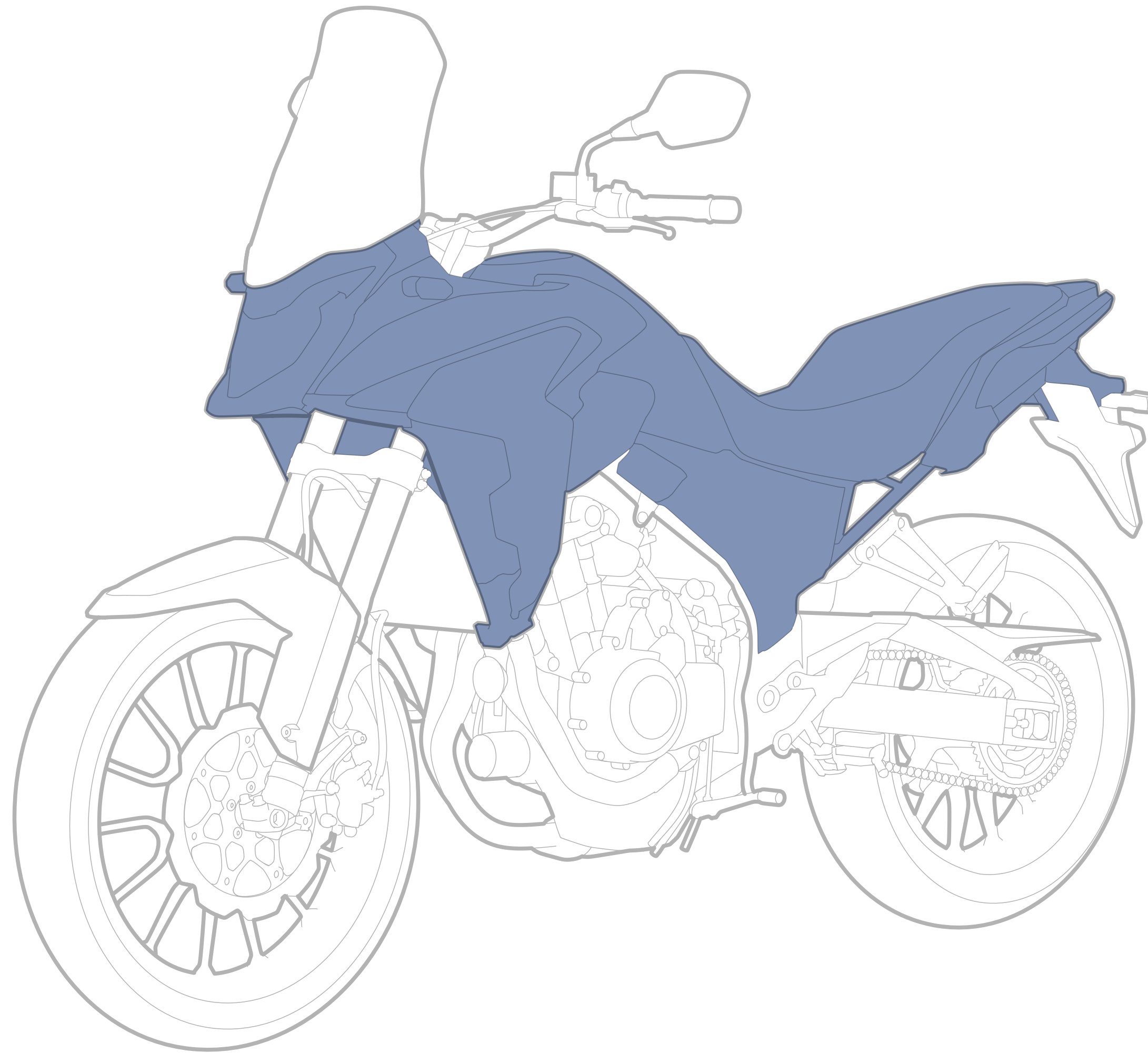
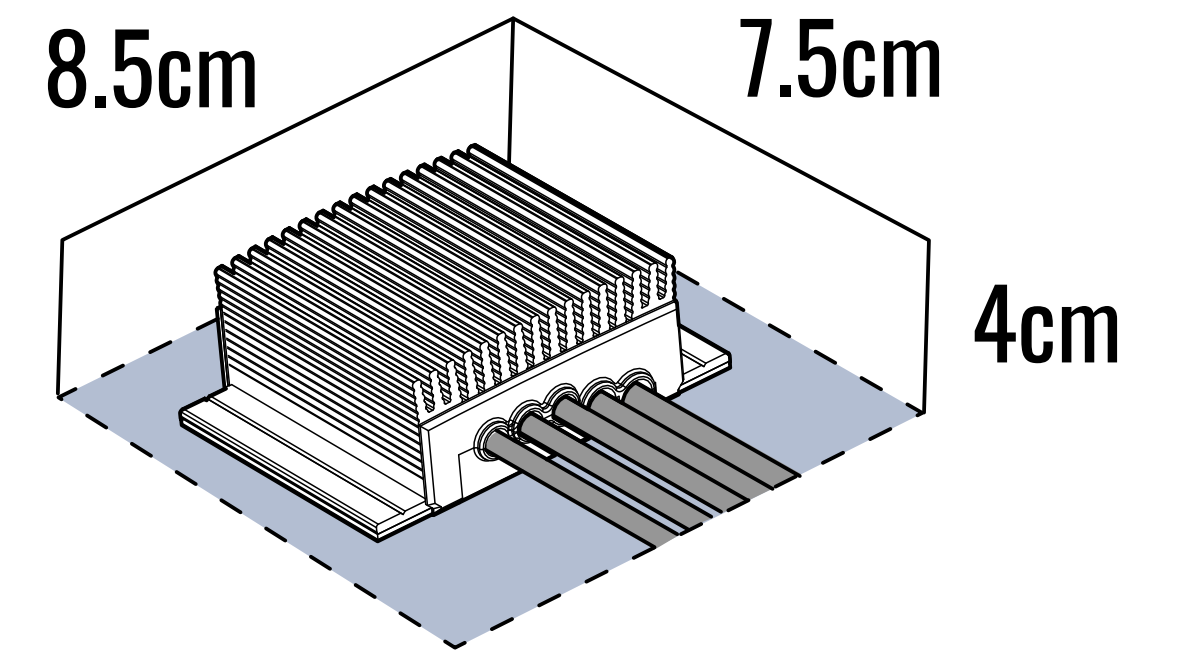
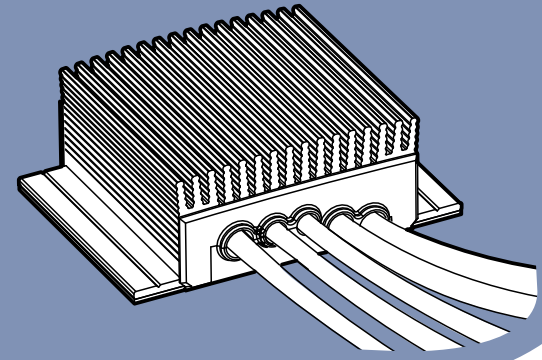




5



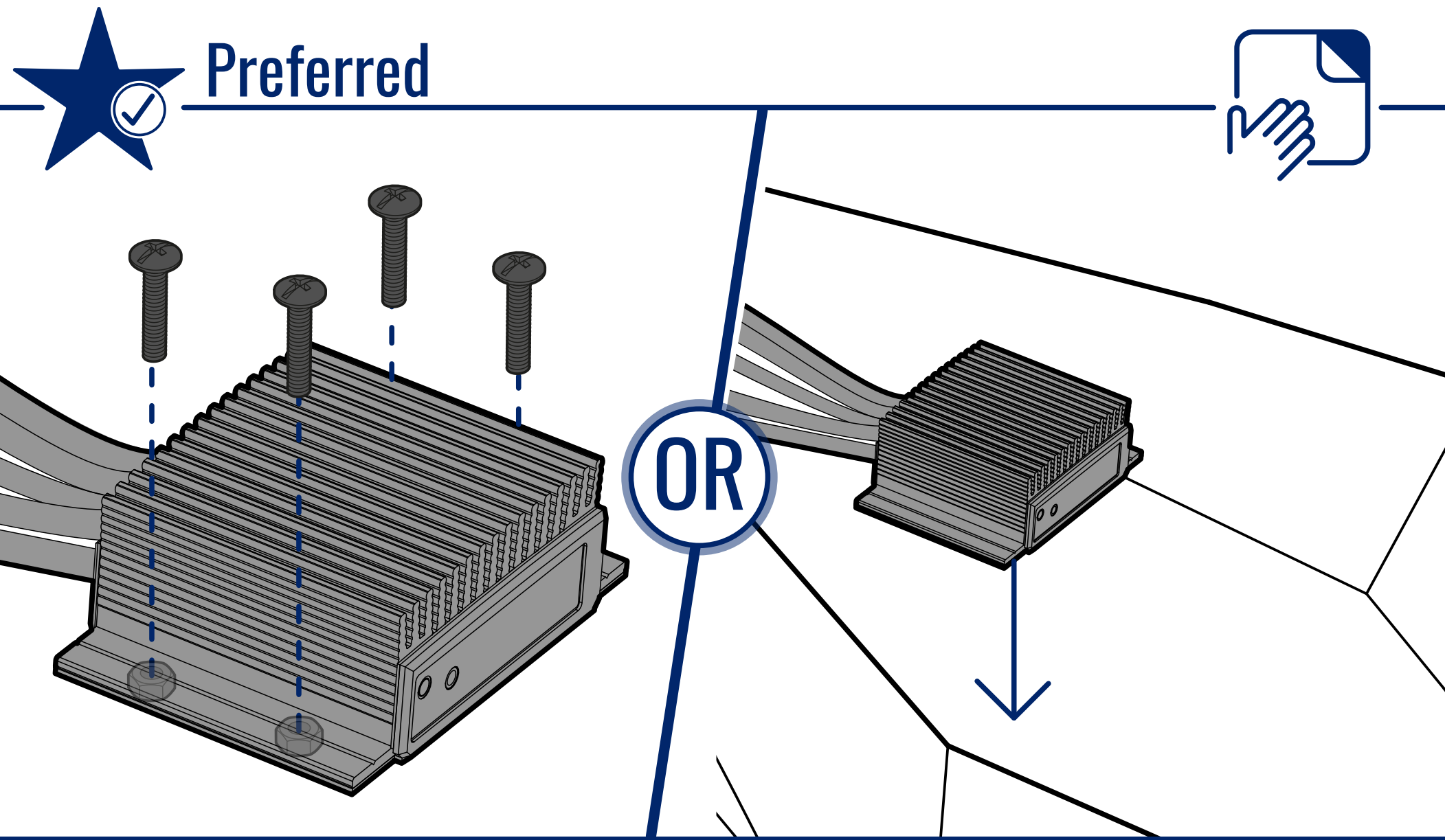
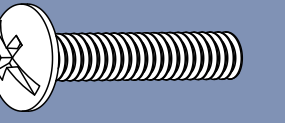
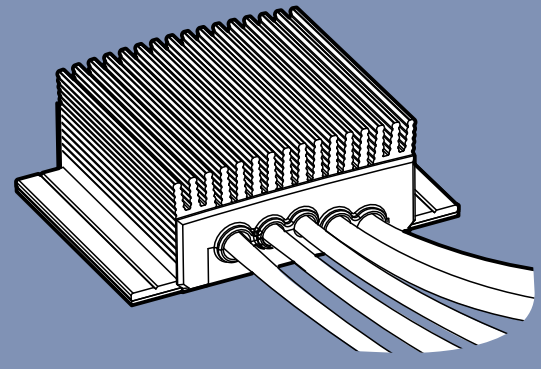
**6** **i** Find Location



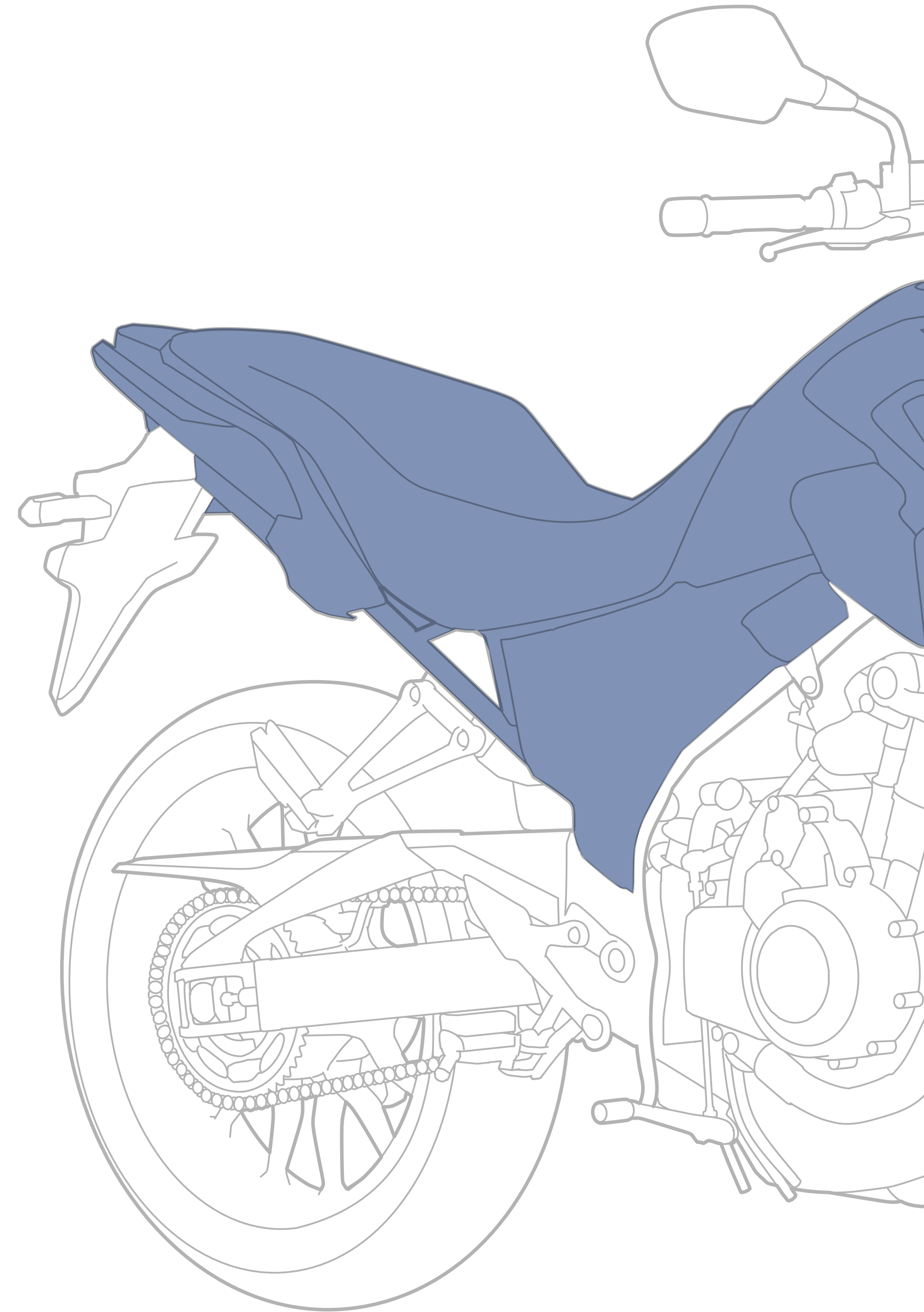
Air circulation

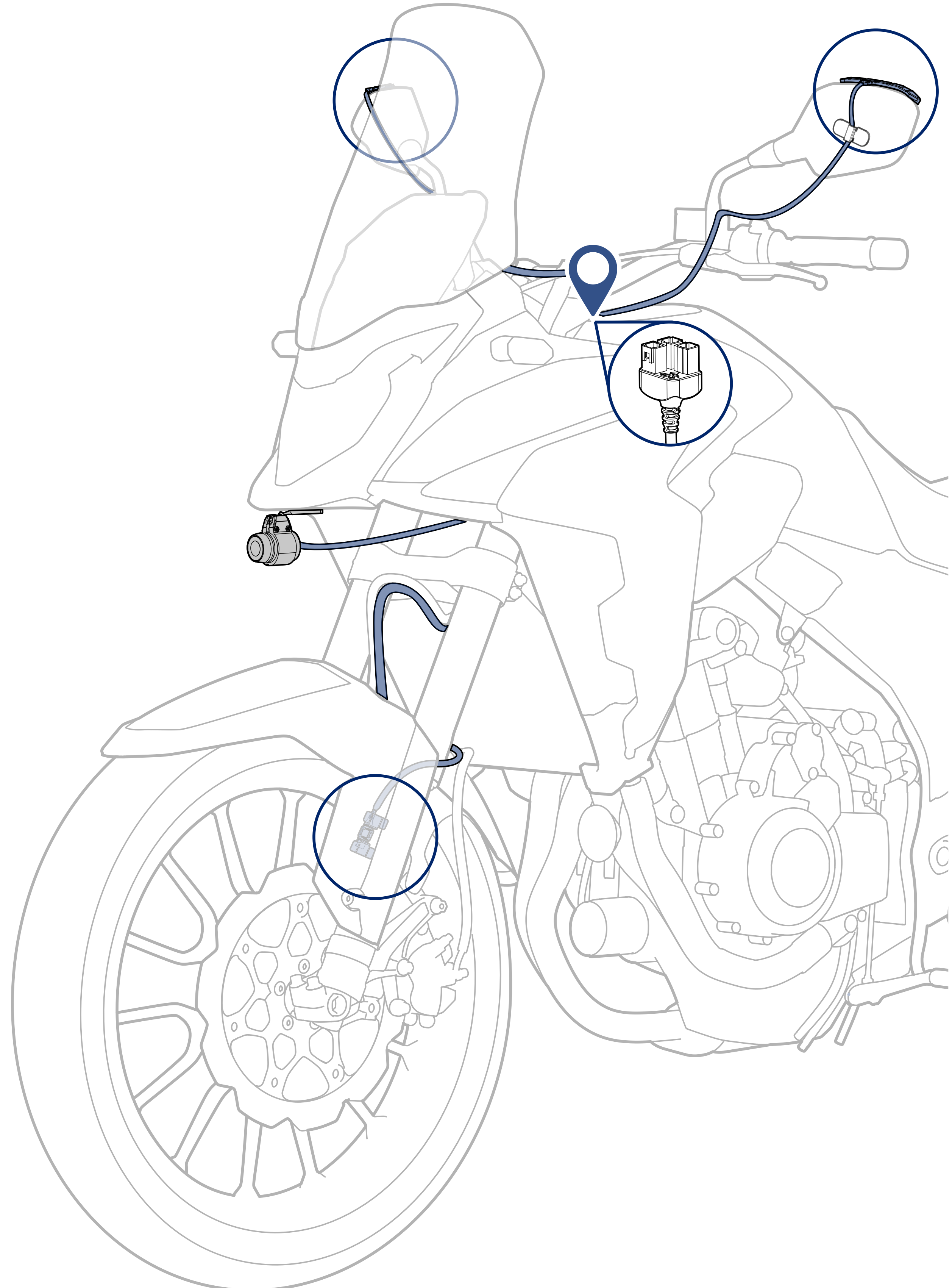
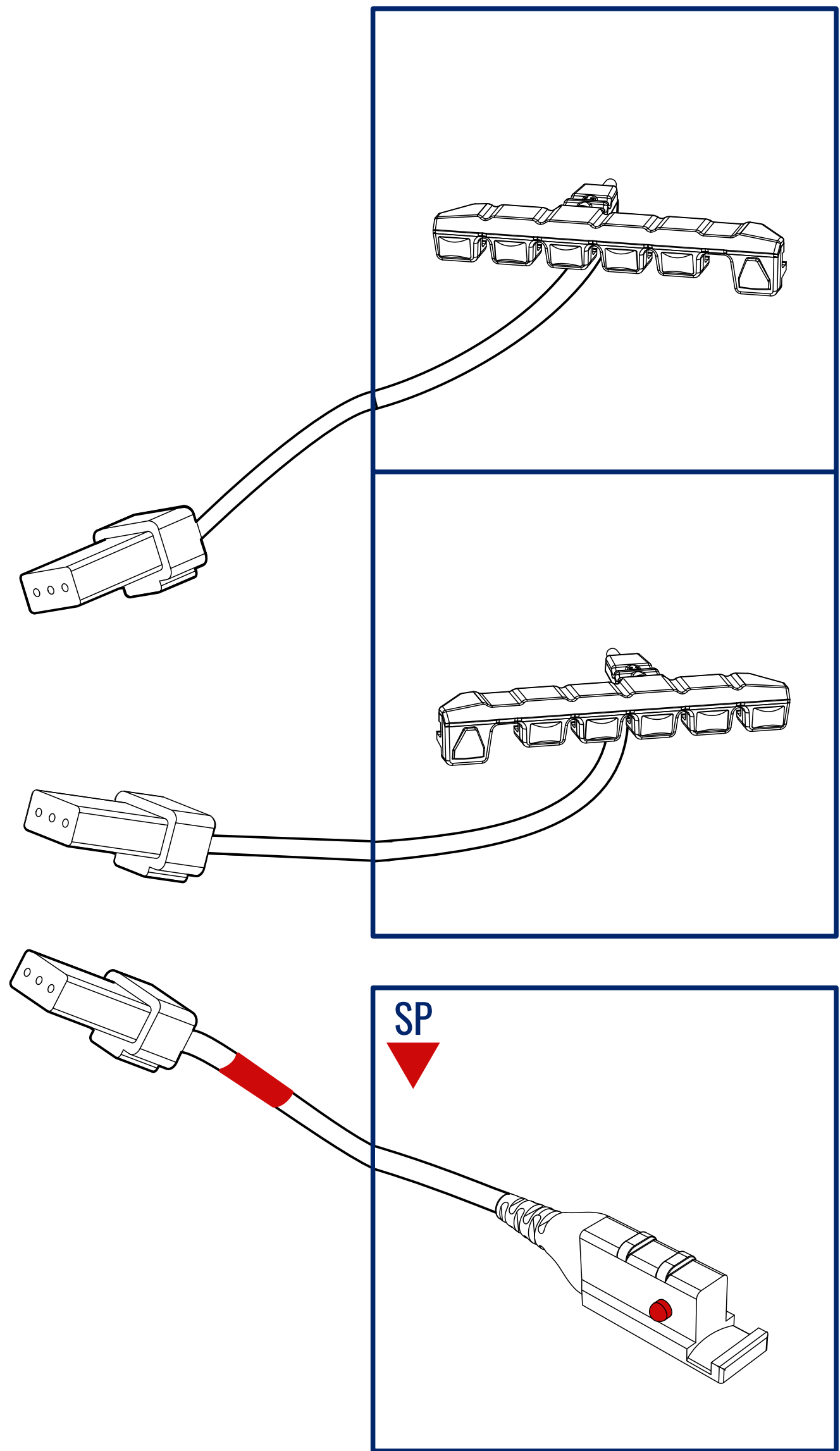
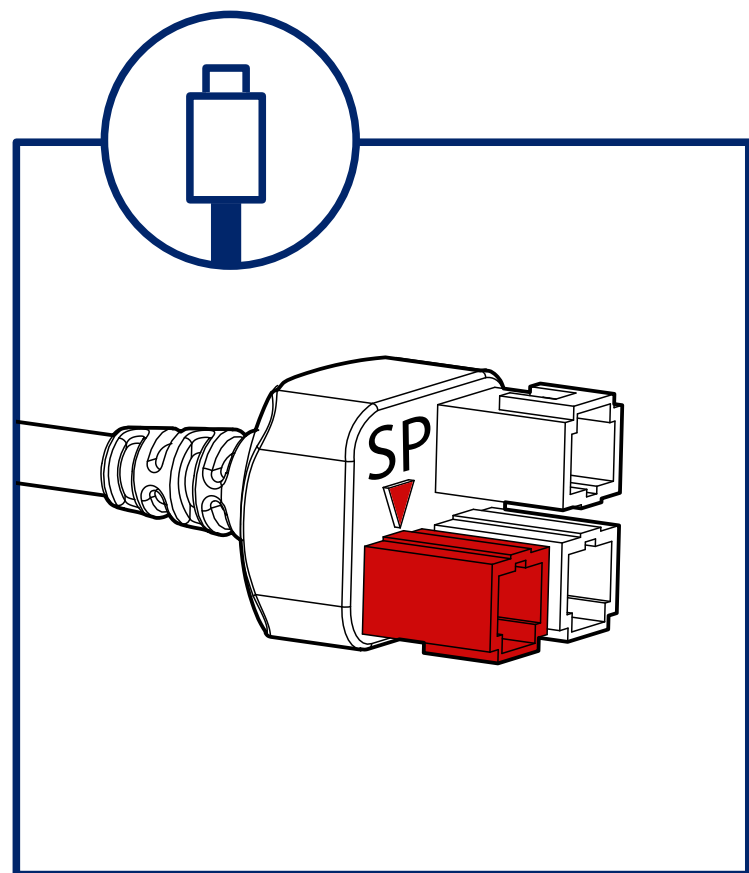
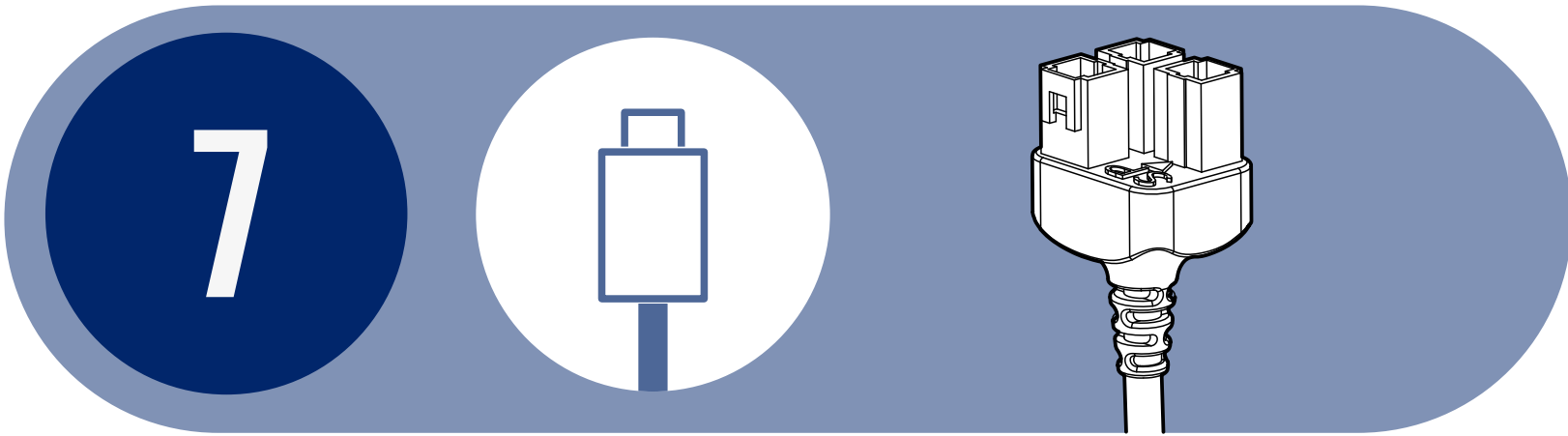


6

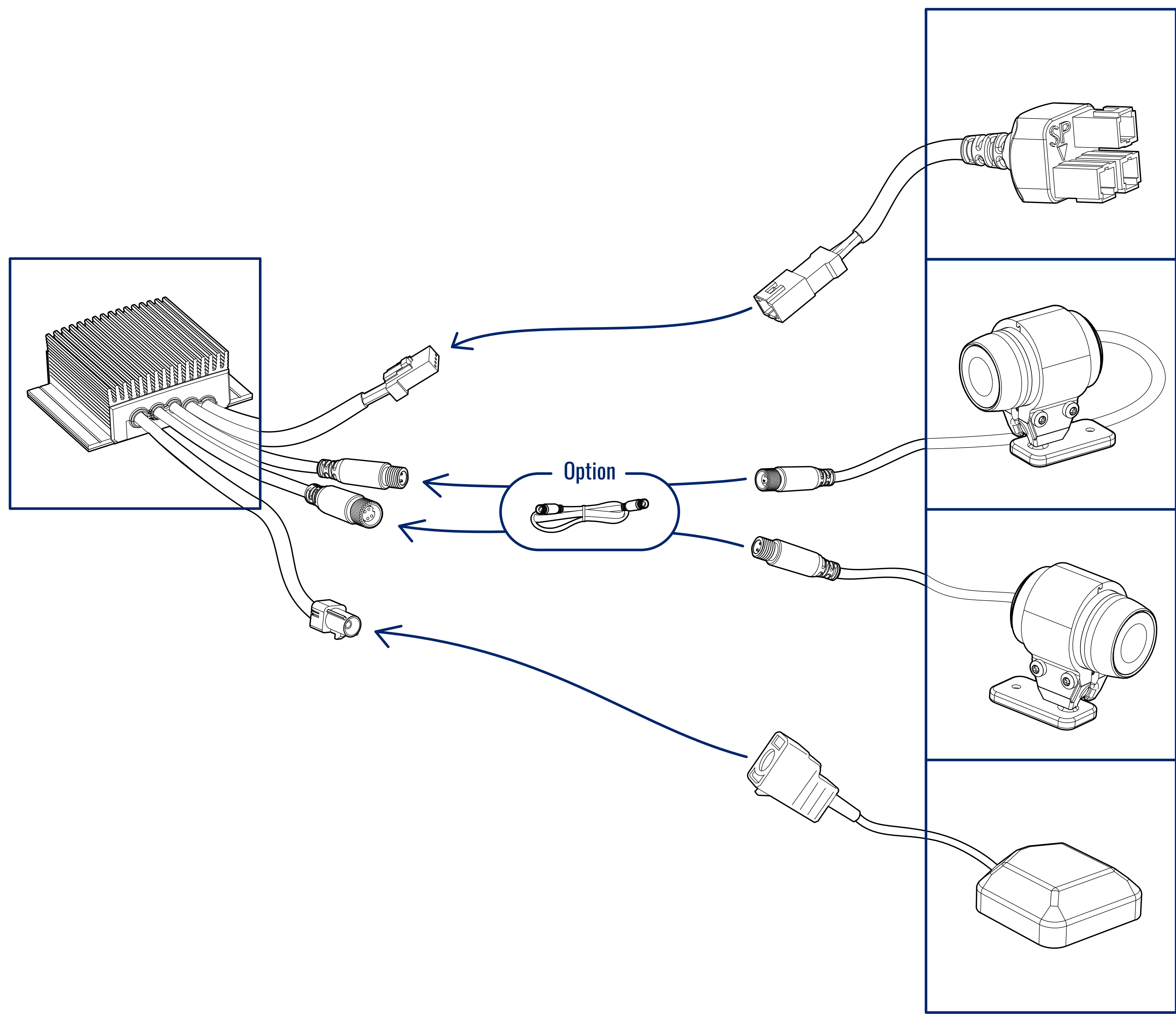
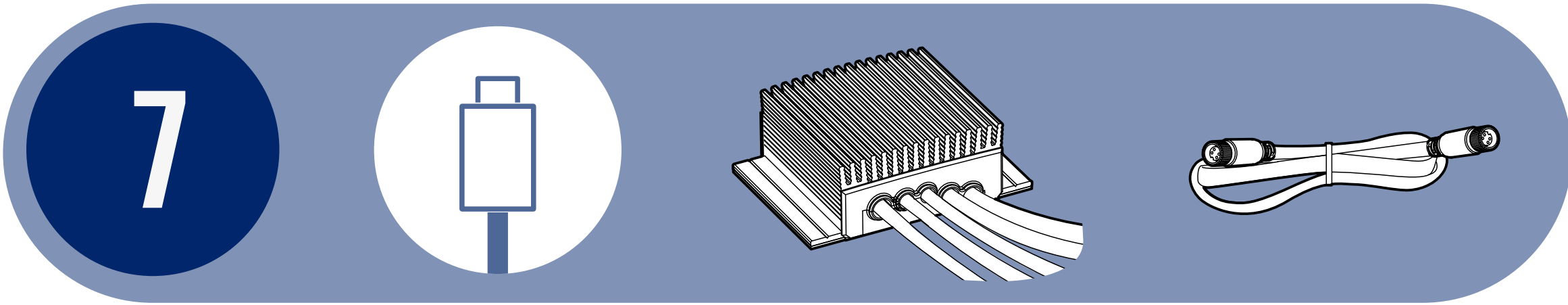


When unit is mounted on an external surface - using screws is mandatory

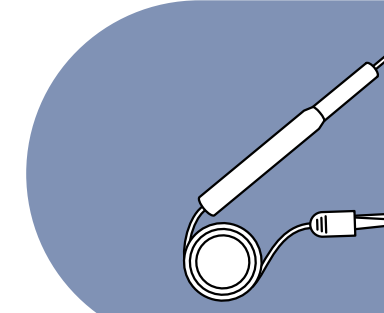
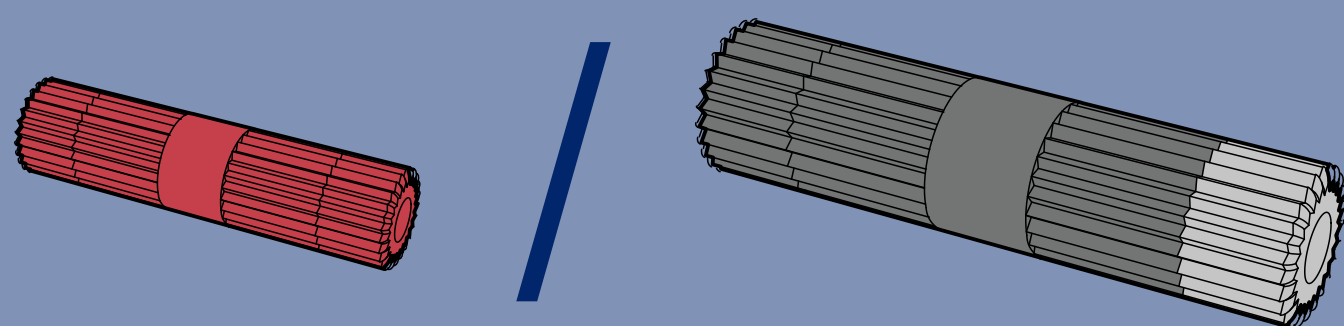
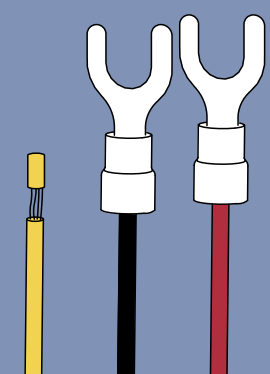
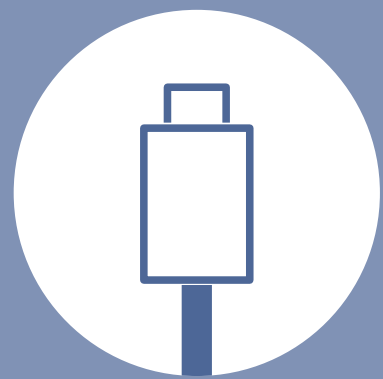






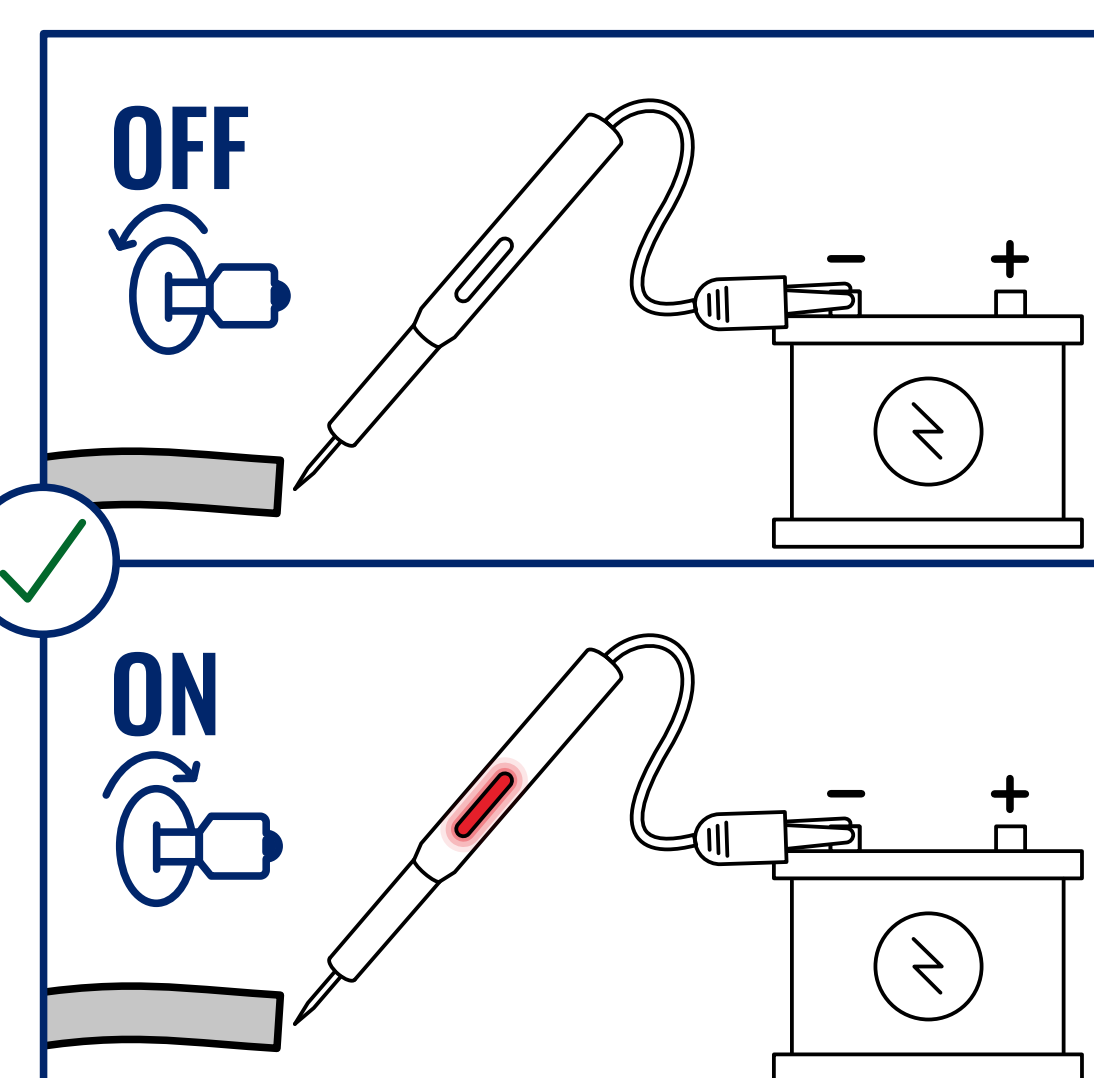
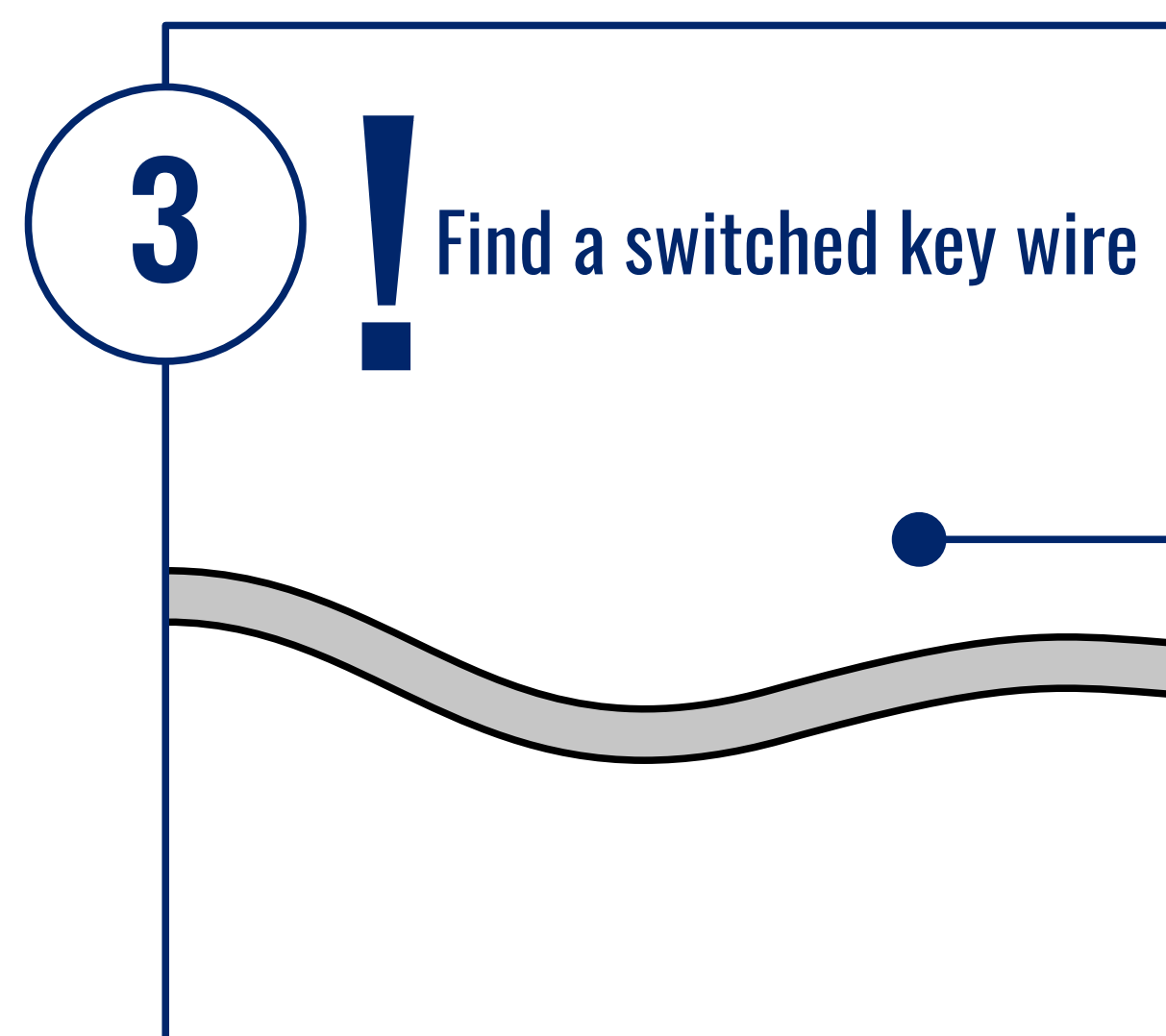
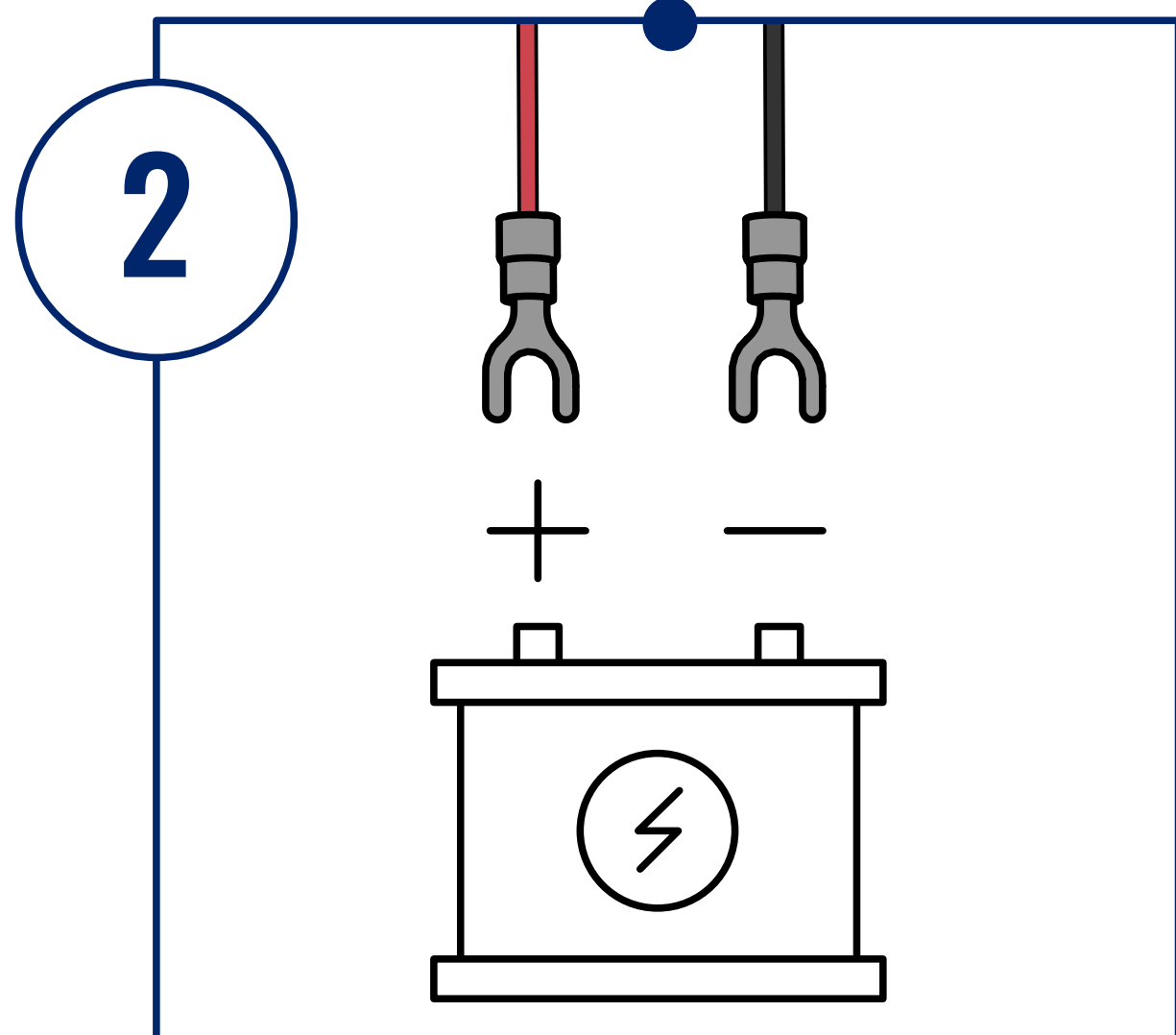
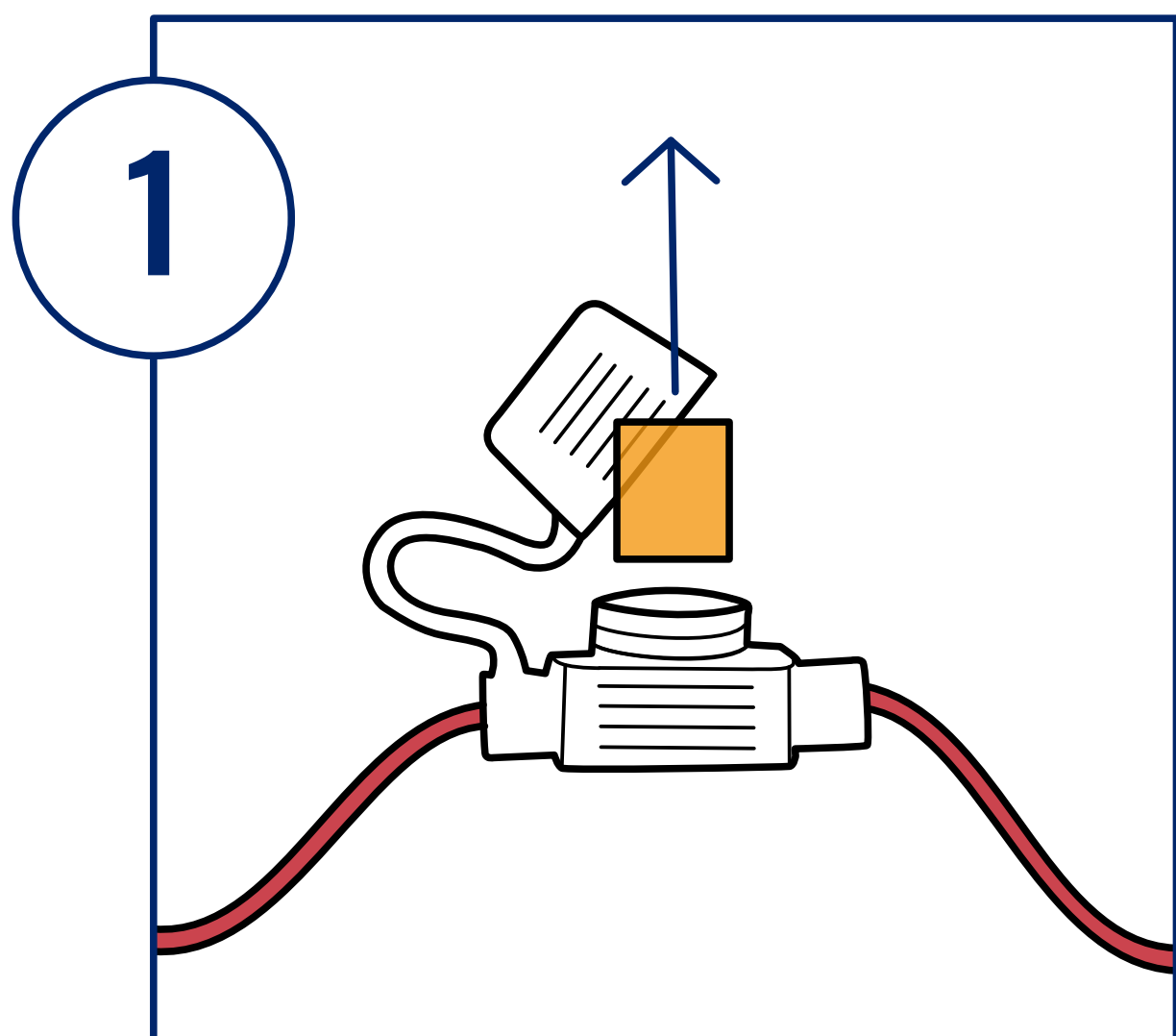


8

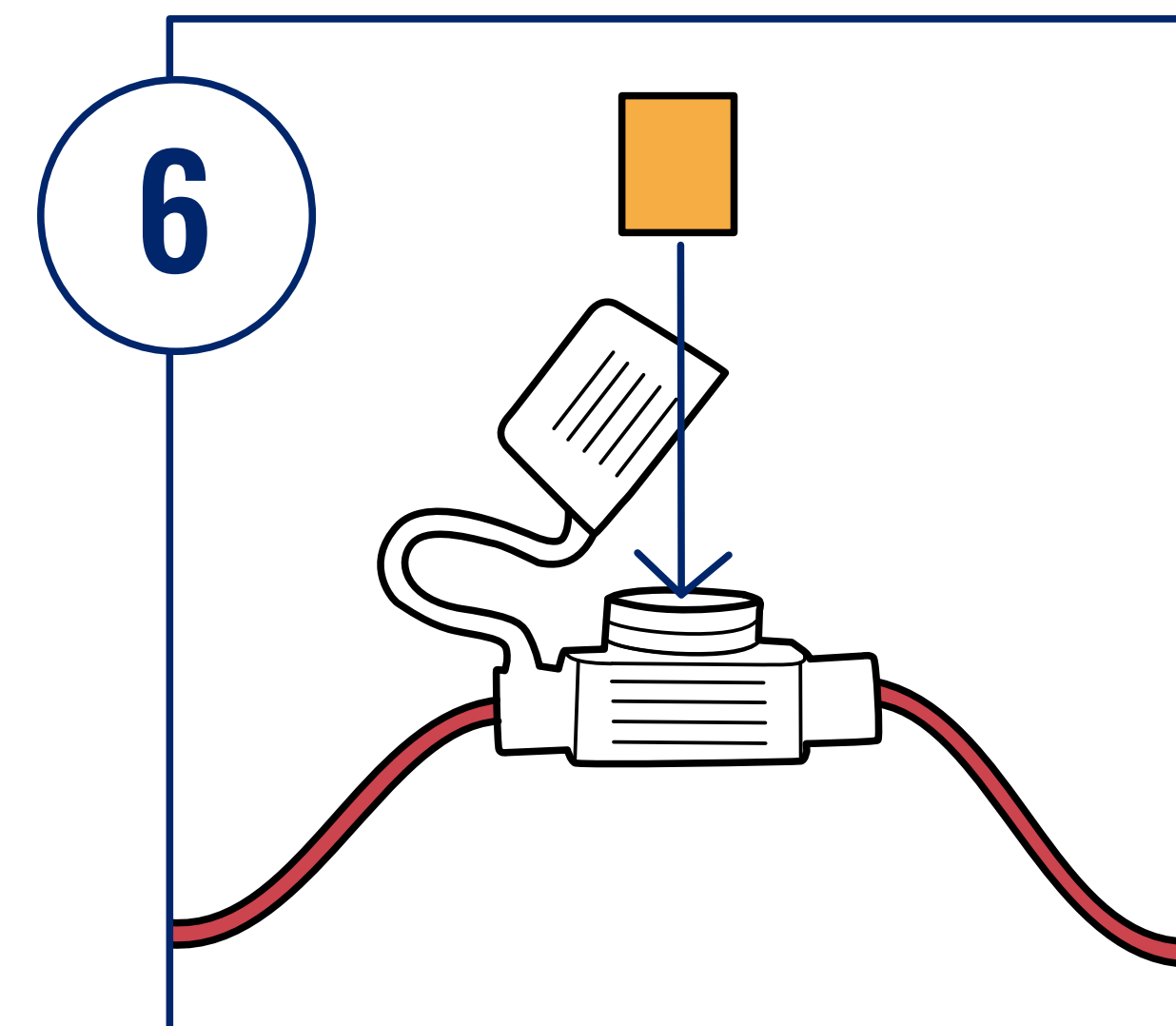
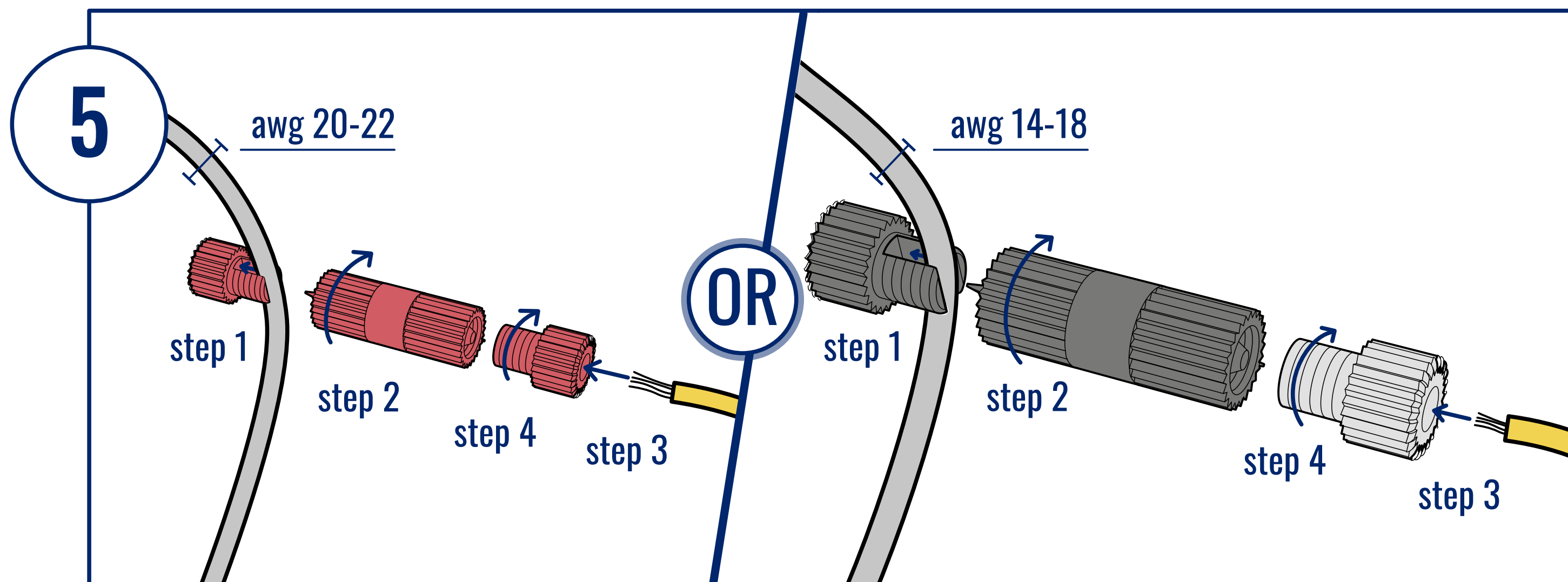
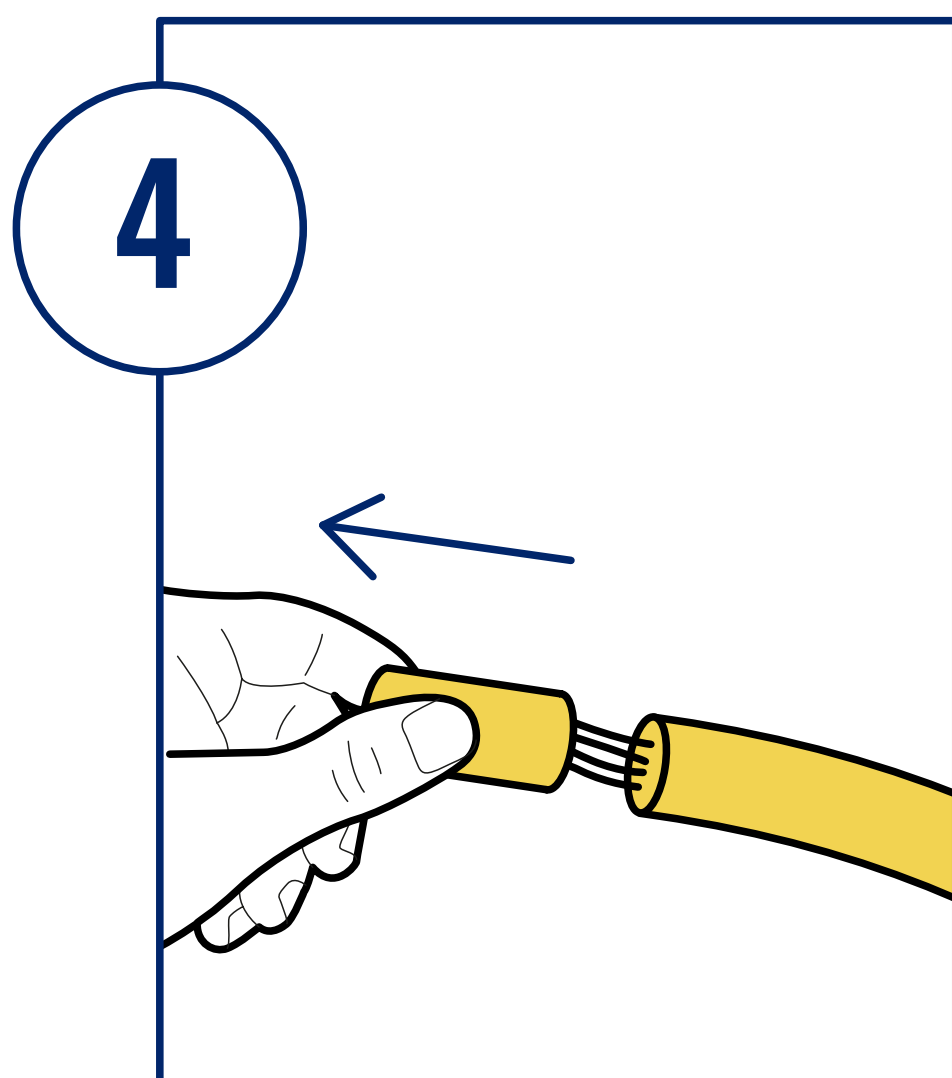


**Red wire - battery positive terminal (+ 12v)**

**Black wire - battery negative terminal (- 12v)**

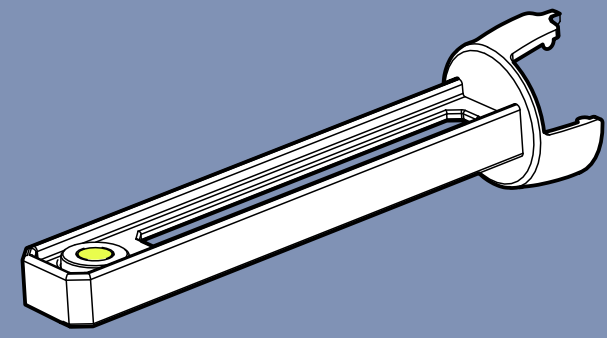


Connected the **yellow** wire to the **switched key** wire

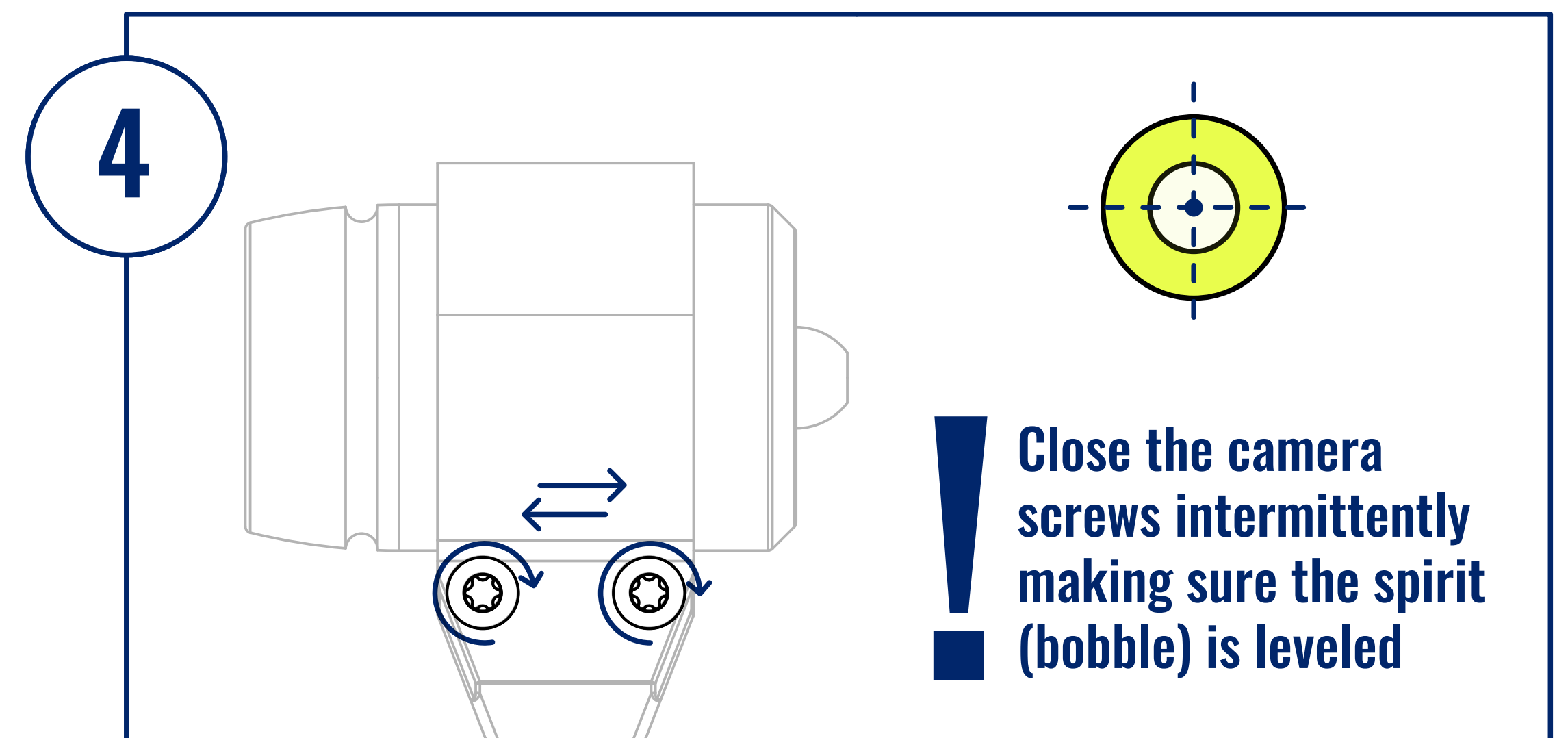
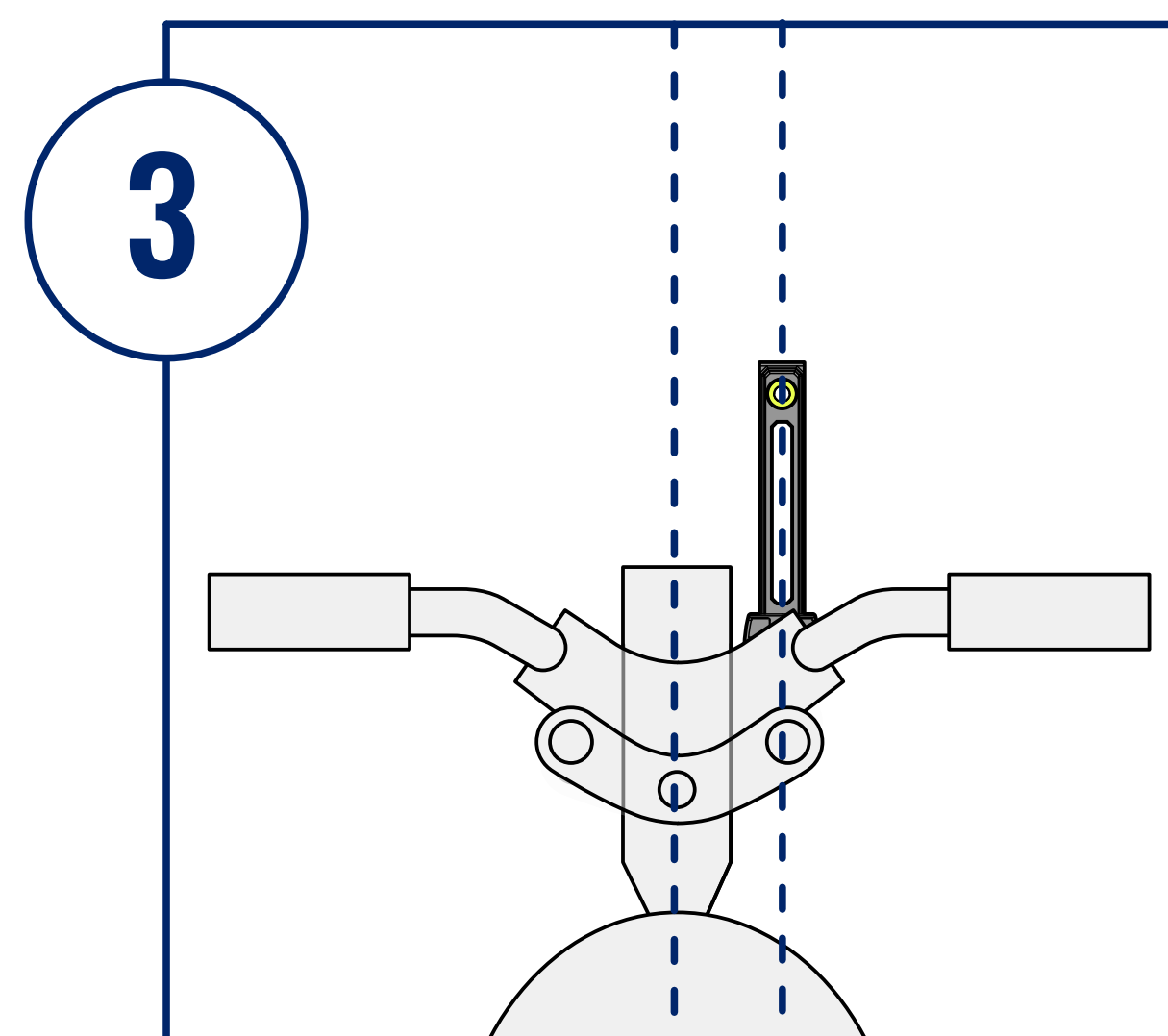
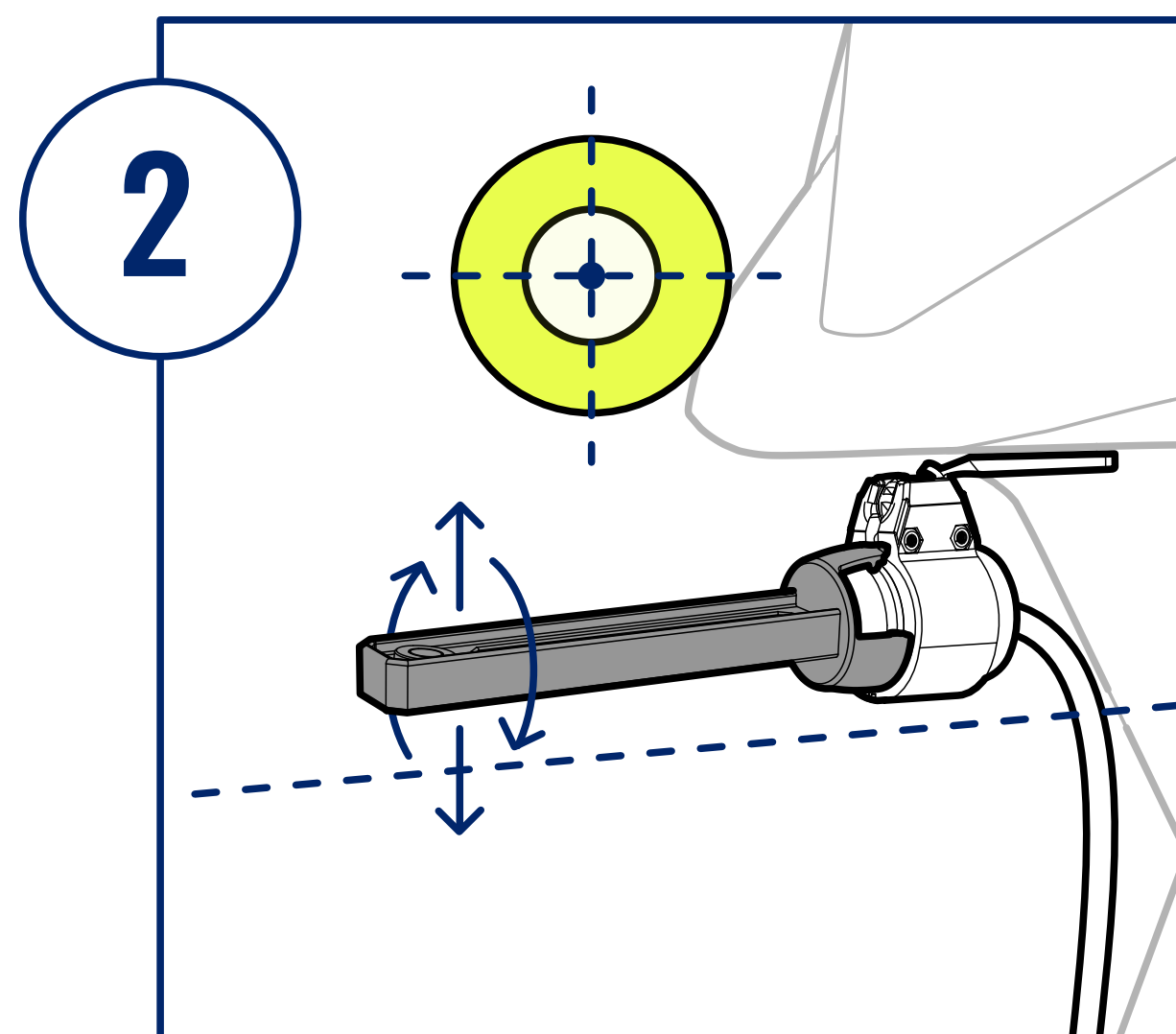
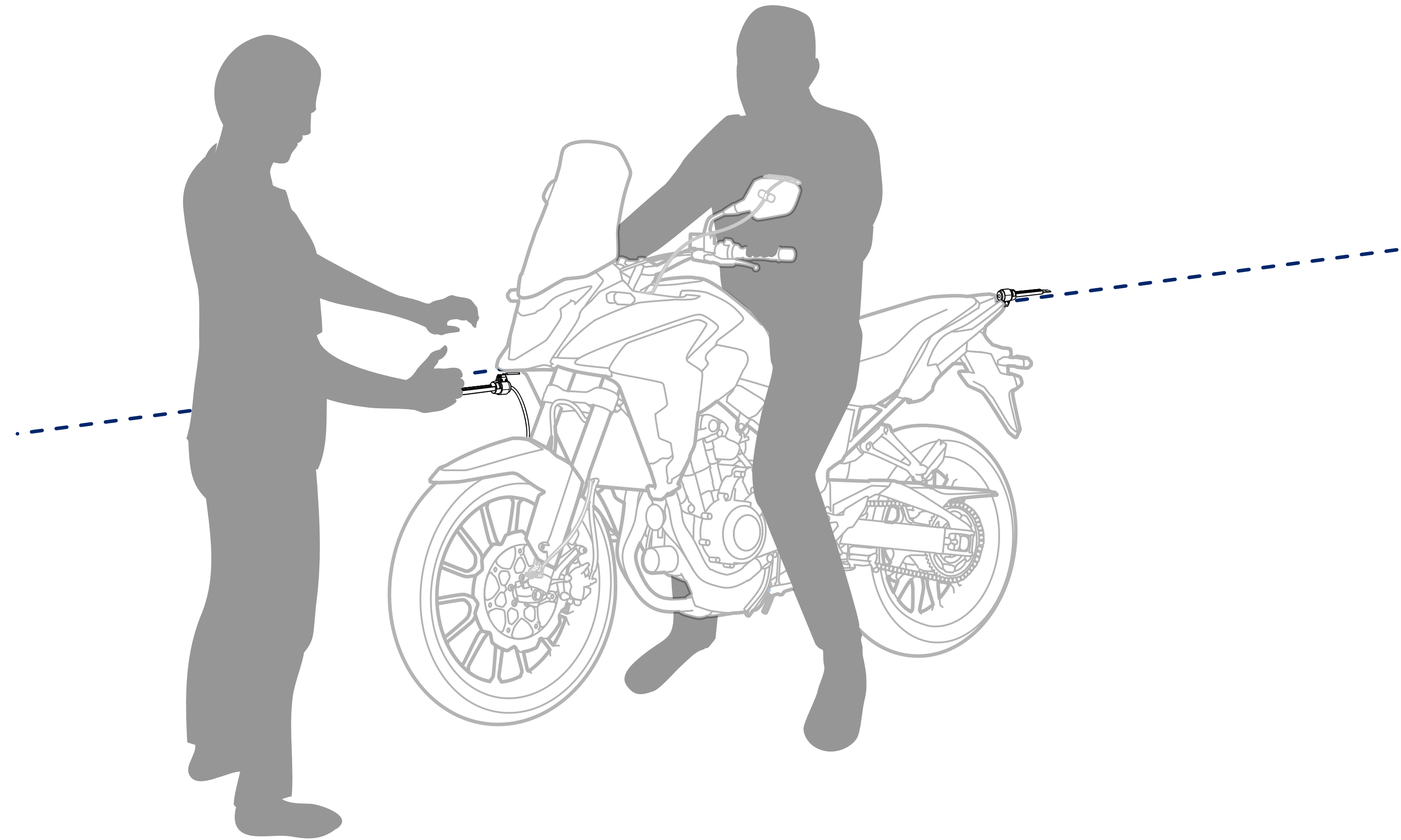
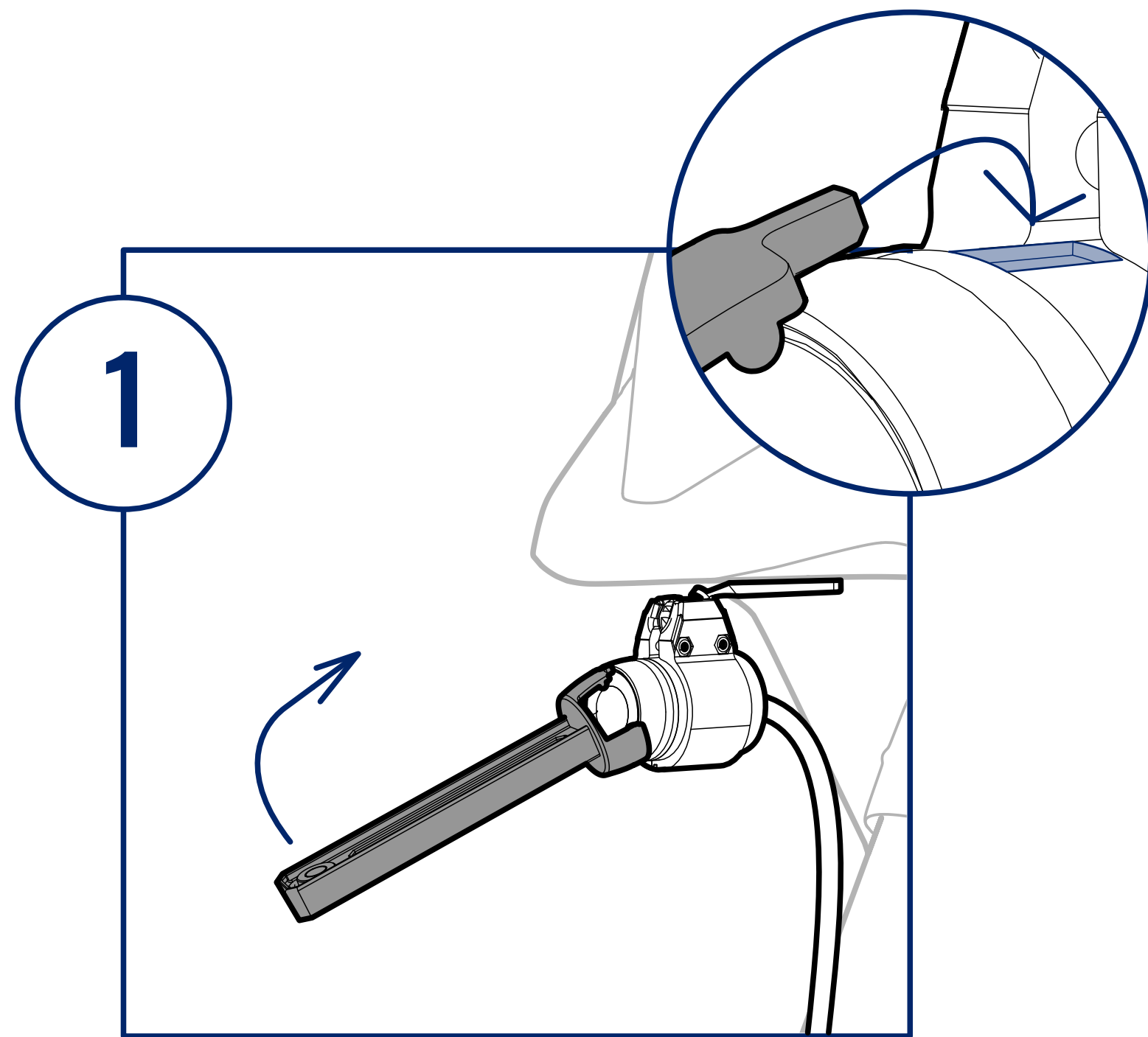
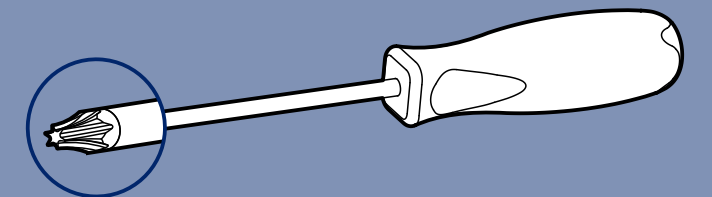




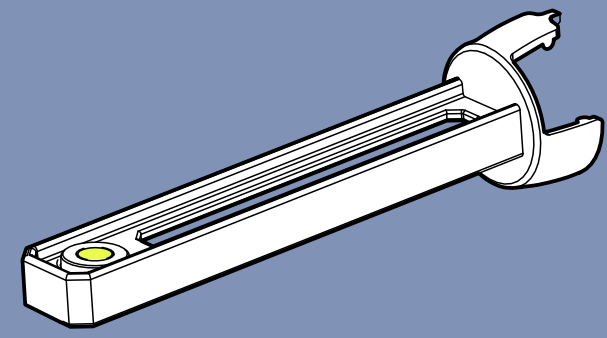
9



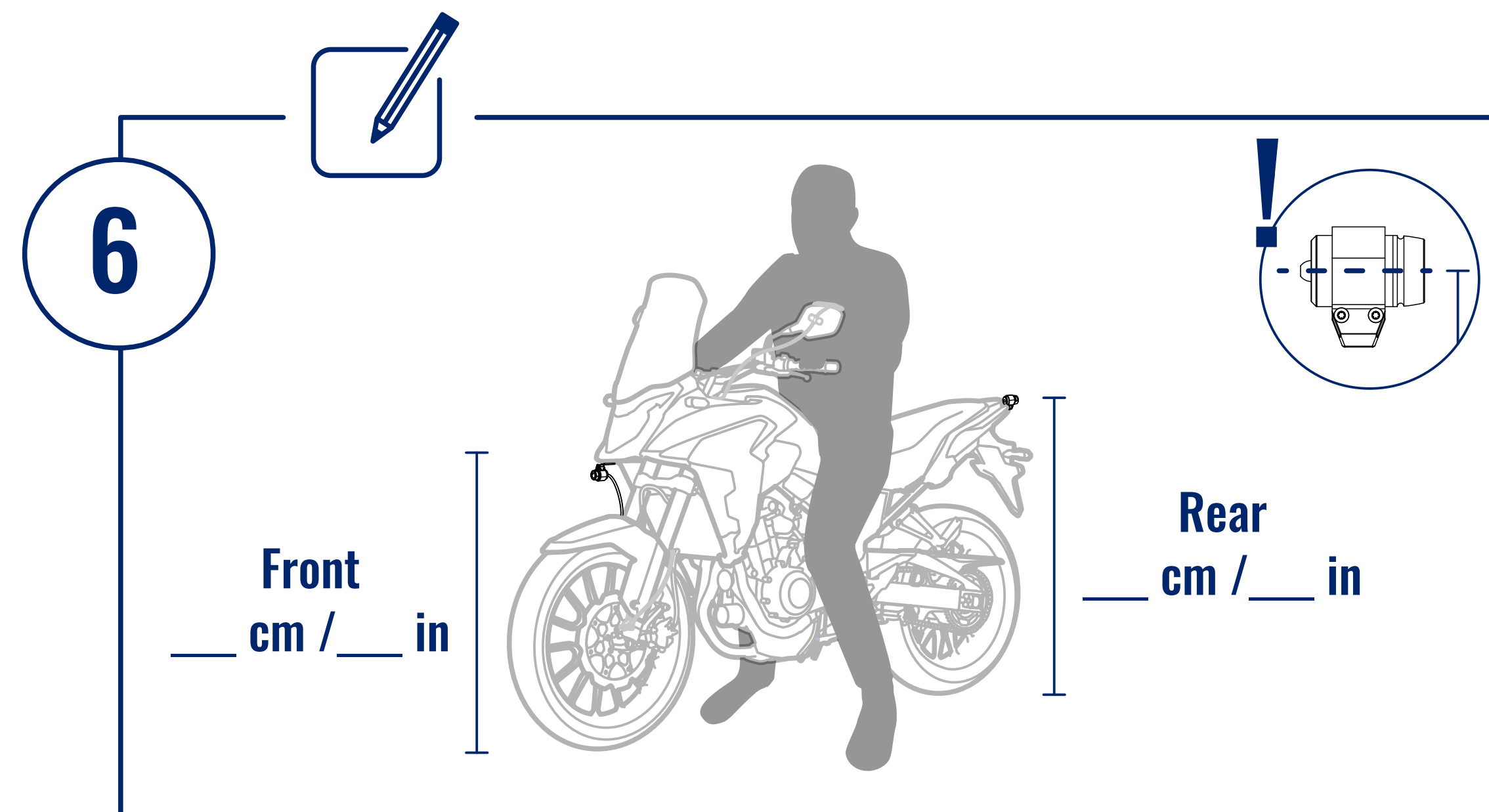
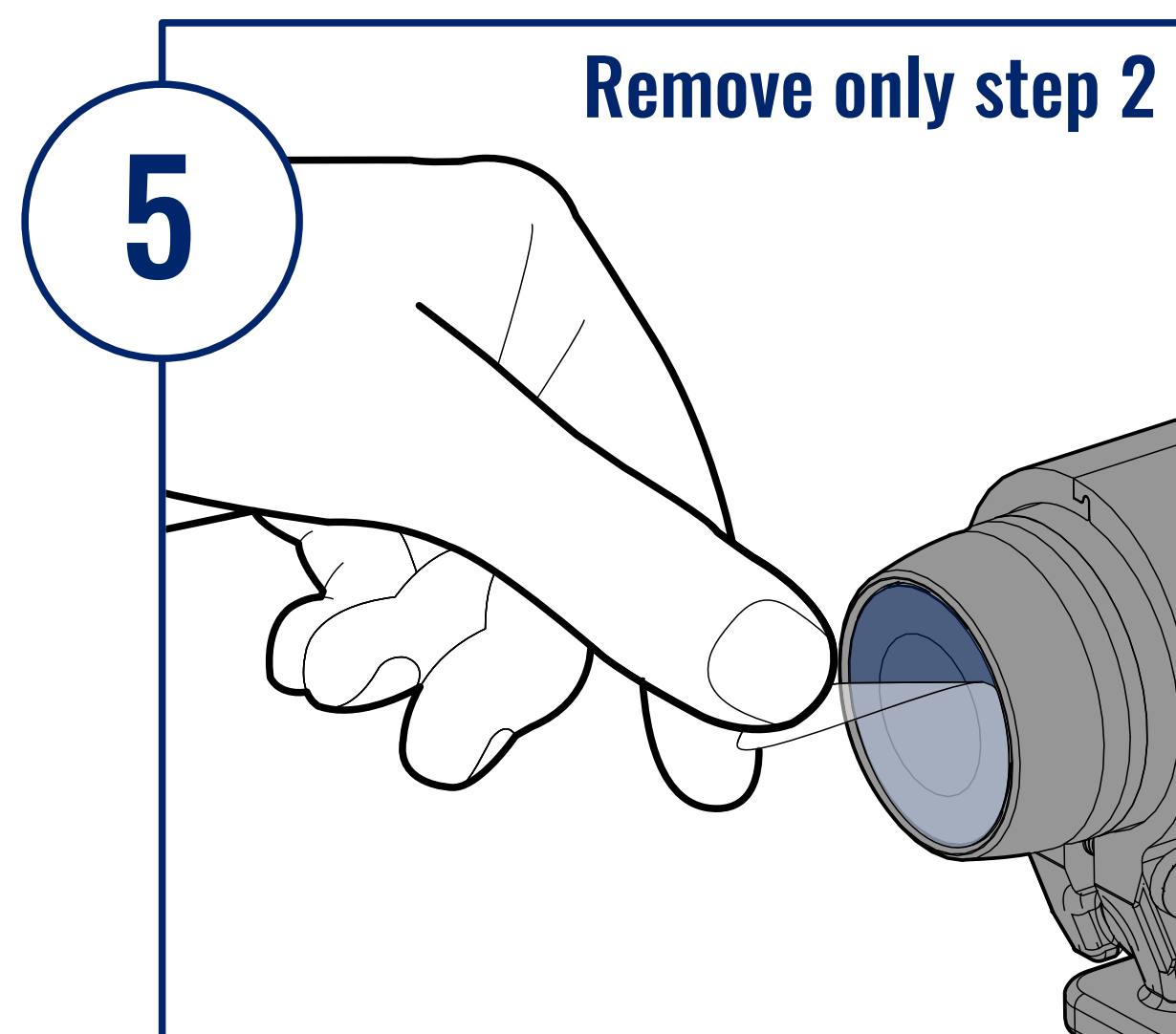
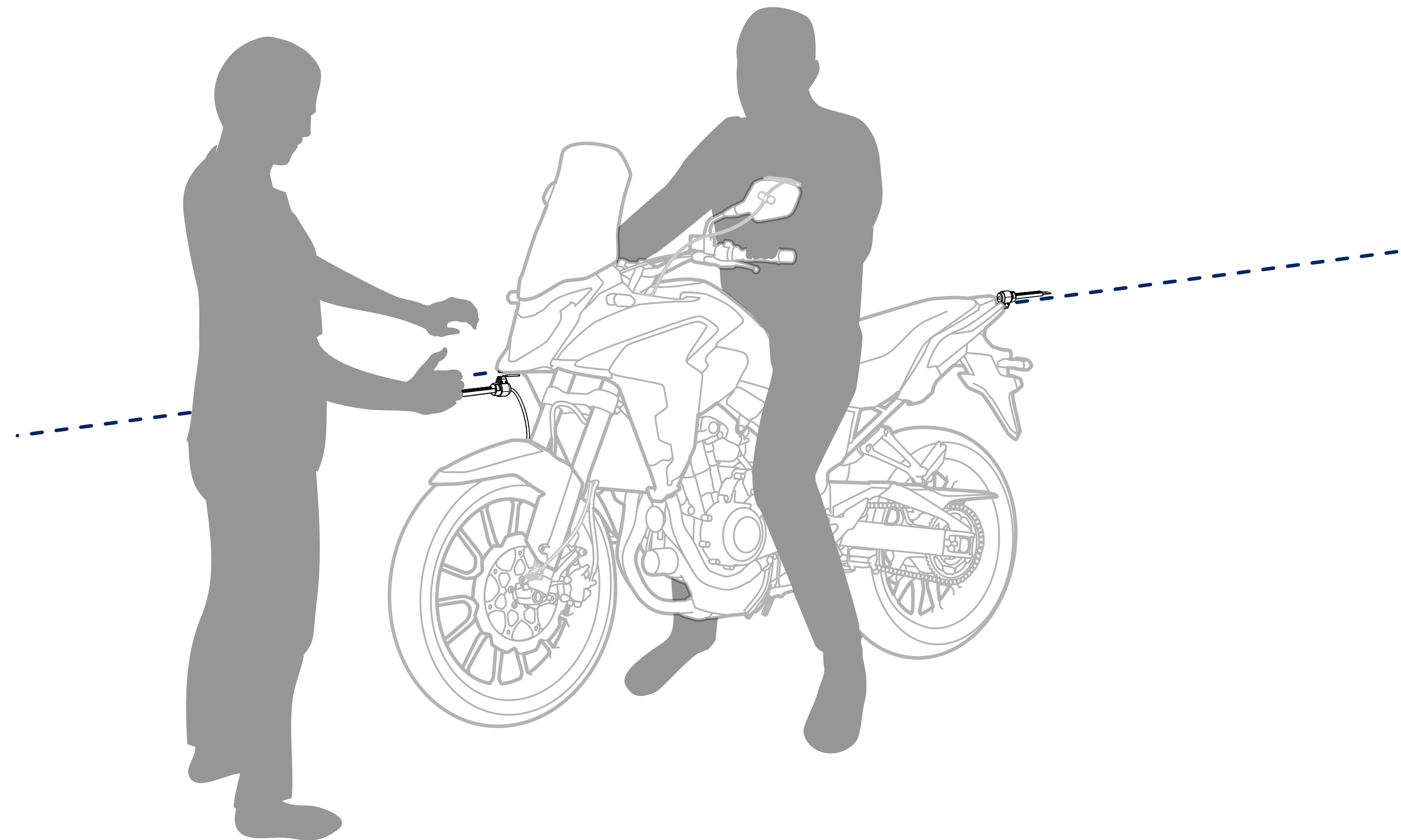
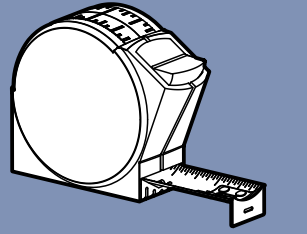
# Rear and Front



9

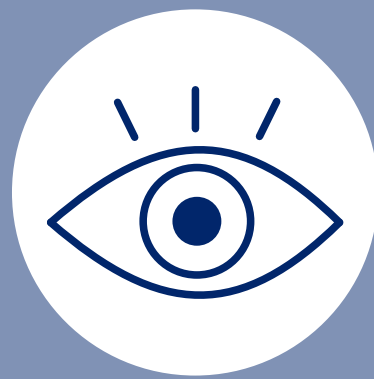


# Rear and Front

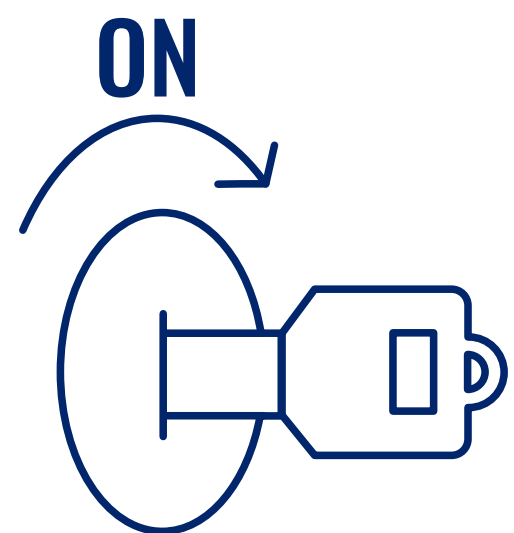




10



1

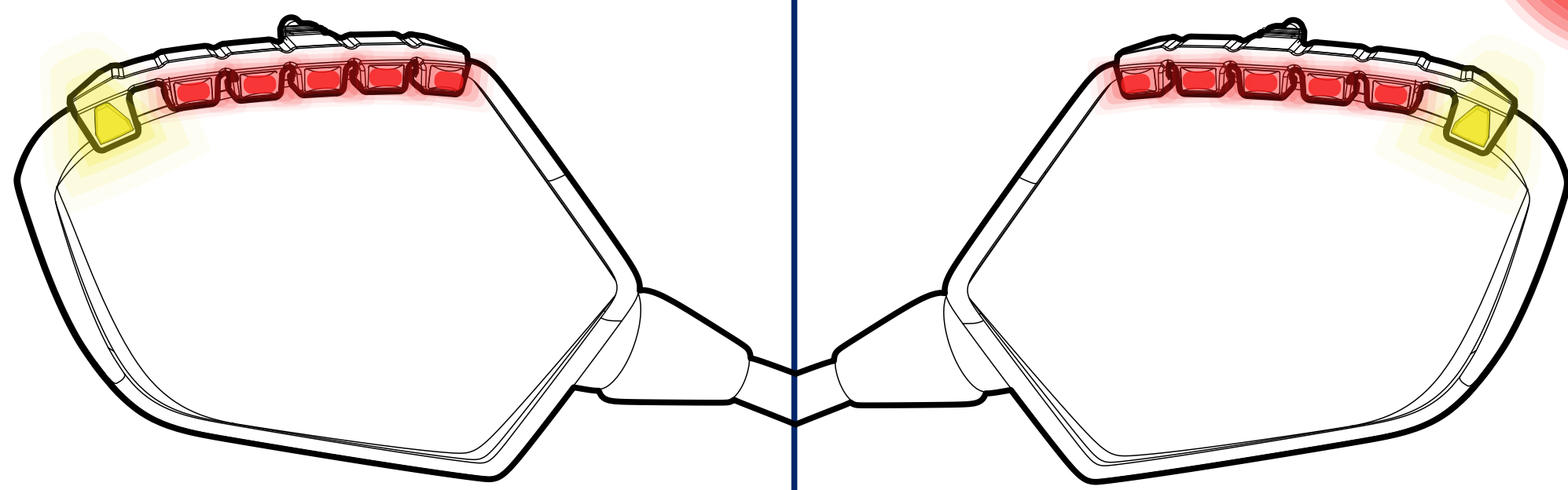


→ ≤ 15 SEC

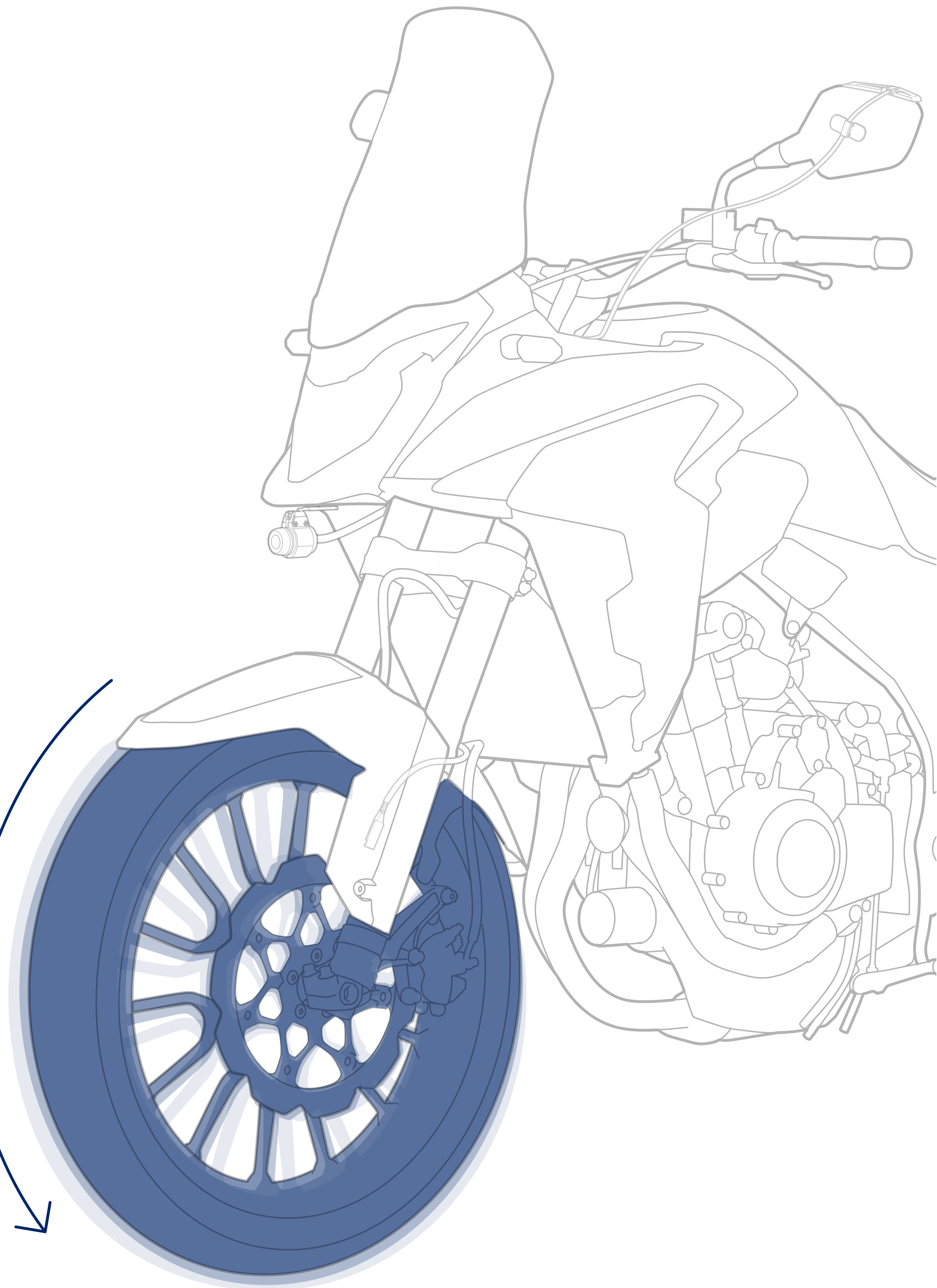
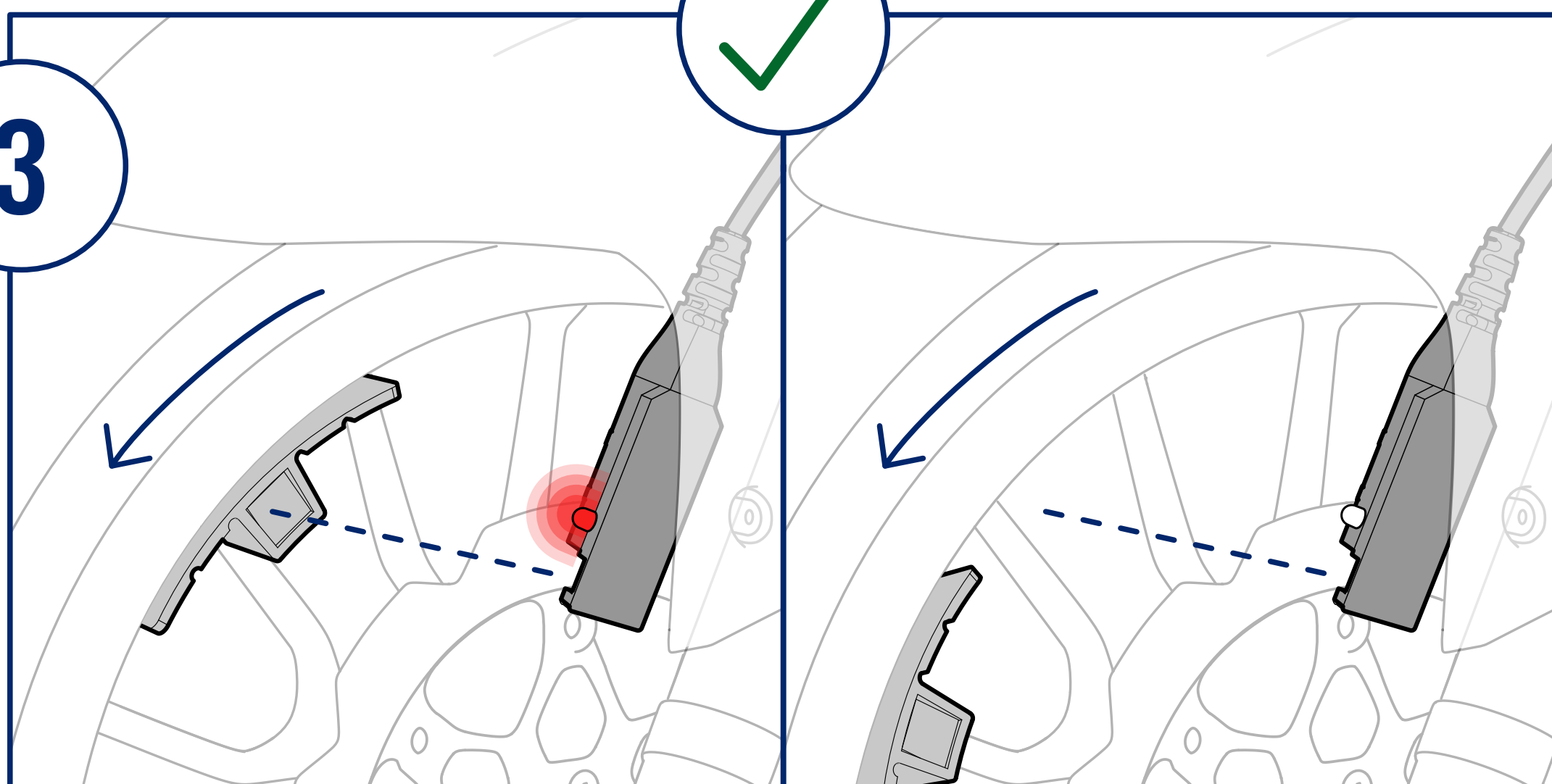
2

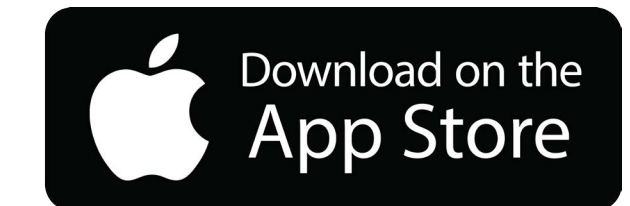
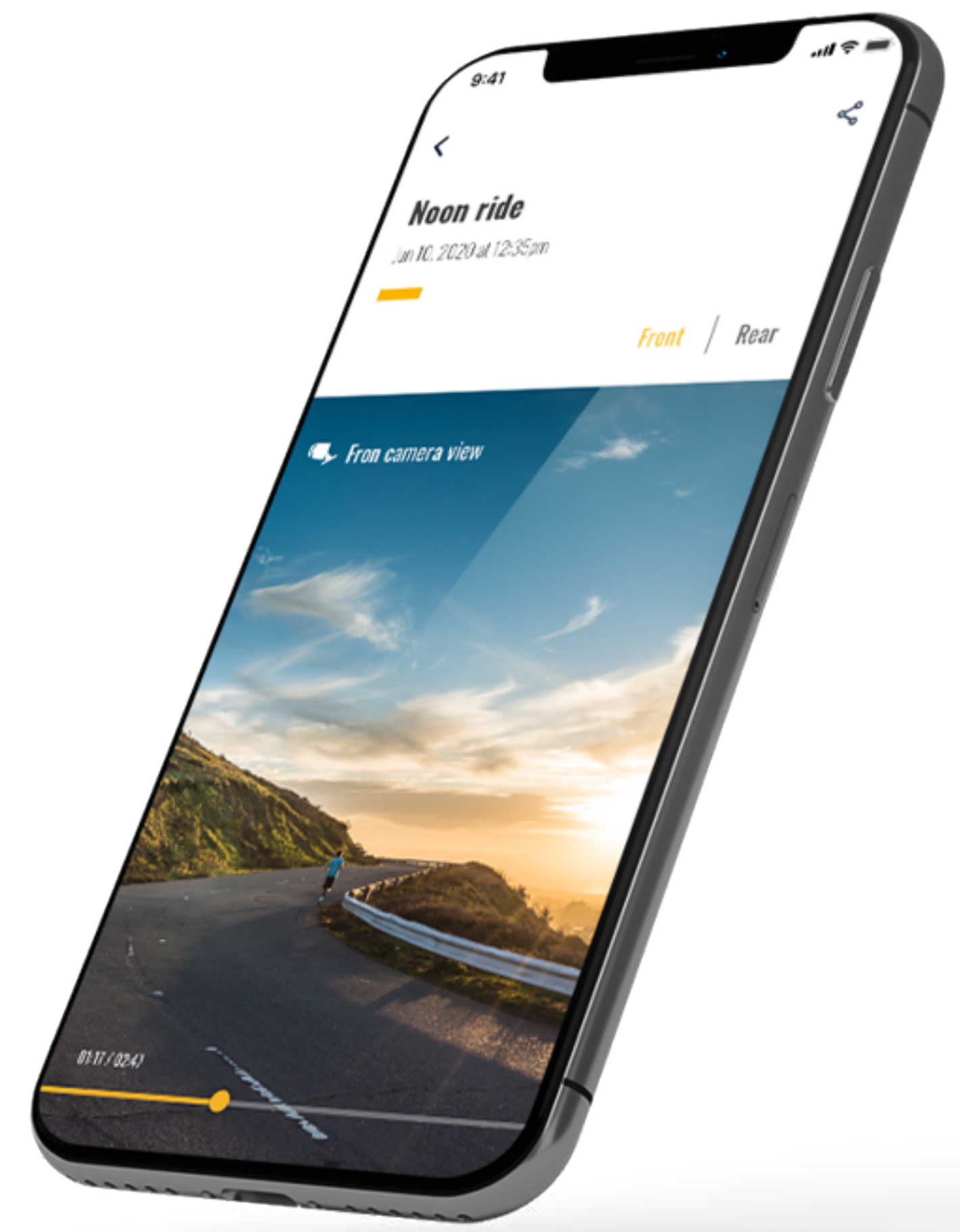


x5

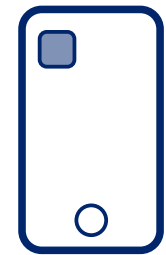


3









### 1 Registration



Username

Password

[Forgot your password?](#)

Login

New to RideVision?

**Start Here!**

### 2 Unit update



Ride Safe, Moshe

Unit Update

Unit Settings

What's new?

Support

Log out

### 3 Calibration



Ride Safe, Moshe

Unit Update

Unit Settings

- Alert Sensitivity
- Led Brightness
- WiFi Password
- Video Recording
- Unit Calibration

What's new?

Support

Log out

Default wifi password to the unit: 12345678



ISRAEL TESTING LABORATORIES  
Global Certifications You Can Trust



TESTING CERT NO.1152.01  
LAB ACCREDITED TO ISO/IEC 17025

## Environmental-Declaration-of-Conformity

**Applicant name:** RideVision Ltd.

**Applicant Address:** GALGALEI HA-PLADA 11 str,POB 13104,HERZLIYA ISRAEL

**Product:** Advanced Rider Assistance System (ARAS) tailored to meet the safety needs of Motorcycles riders.

**Model/Type ref.** Ride Vision2

This is to certify that the product specified herein has been tested to the Environmental tests below and complaint with the requirements noted below.



# 1 List Of Tests

The table below summarizes the relevant and required tests in order to be qualified to ETSI 300 019-2 and ISO 16750 requirements. The table defines the requirement's validation as follow:

Table -1 list of tests

	Requirement	Standard	Test Description	Result
1.	<b>Low Temp Storage</b>	ISO 16750-4: 2006 Para 5.1.1.1	test according to IEC 60068-2-1 cold at a temperature of <b>-40 °C</b> for a duration of <b>24 h</b>	Pass
2.	<b>Low Temp Operation</b>	ISO 16750-4: 2006 Para 5.1.1.2	Test according to IEC 60068-2-1 cold at a temp. of <b>- 10 °C</b> for a duration of <b>24 h</b> .	Pass
3.	<b>High Temp Storage</b>	ISO 16750-4: 2006 Para 5.1.2.1	Test according to IEC 60068-2-2 dry heat at a temperature of <b>85 °C</b> for a duration of <b>48 h</b> unless otherwise specified in the DUT specification.	Pass
4.	<b>High Temp. Operation</b>	ISO 16750-4: 2006 Para 5.1.2.2	test according to IEC 60068-2-2 dry heat at a temperature of <b>60 °C</b> for a duration of <b>96 h</b> .	Pass
5.	<b>Mechanical Shock BUMP Transportation</b>	EN 300 019-2-2 Class 2.3 IEC-68-2-29 Test Eb	100 half-sine mechanical shocks in each direction. Shock amplitude: 10g/11ms or 18g/6ms. Total of 600 shocks.	Pass
6.	<b>Random vibration Test II — Passenger car, gearbox</b>	ISO 16750-3: 2007 Para. 4.1.2.2	This test checks the DUT for malfunctions and breakage caused by vibration. Vibration of the body is random vibration induced by rough-road driving. The main failure to be identified by this test is breakage due to fatigue. Test according to IEC 60068-2-6. The test duration shall be <i>8h</i> for each plane of the DUT.	Pass
7.	<b>Crash hazard Shock</b>	Mil-Std-810G Method 516.7 Procedure V	2 saw-tooth mechanical shocks of 75g/6ms for ground equipment in each of the 6 directions.	Pass
8.	<b>Free Fall Transportation</b>	EN 300 019-2-2 Class 2.3 IEC 68 2-31 Test Ed	Free fall drop on 6 faces, 3 edges and 4 corners in relation to package weight.	Pass
9.	<b>Drop tests</b>	ISO 16750-3: 2007 Para. 4.3	This test checks the DUT for malfunctions and breakage caused by free fall.	Pass
10.	<b>Corrosion Test</b>	MIL-STD-810G, Method 509.5	Total 96h 24spray/24dry 2 cycles	Pass
11.	<b>Protection from dust and water</b>	ISO 16750-4: 2006 Para 7	IP69K	Pass