



# Kraftfahrt-Bundesamt

DE-24932 Flensburg

---



## MITTEILUNG

Ausgestellt von:

**Kraftfahrt-Bundesamt**

über die Genehmigung  
für einen Schutzhelmtyp ohne Visiertyp(en) nach der Regelung Nr. 22

## COMMUNICATION

Issued by:

**Kraftfahrt-Bundesamt**

concerning approval granted  
of a type of protective helmet without visor type(s) pursuant to  
Regulation No. 22

Nummer der Genehmigung: **05300565**  
Approval No.:

Erweiterung Nr.: --  
Extension No.:

1. Fabrik- oder Handelsmarke:  
Trade name or mark:  
**TORC, ORIGINE, NITEK, JUST 1, VCAN, RVC, TANKED, RACING, STORM**
2. Typ:  
Type:  
**V587**
3. Größen:  
Sizes:  
**XS(53/54), S(55/56), M(57/58), L(59/60), XL(61/62), XXL(63**
4. Name des Herstellers:  
Manufacturer's name:  
**SHANGHAI HEHUI SAFETY PRODUCTS MANUFACTURE CO., LTD.**  
**CN-201401 Fengxian, Shanghai**
5. Anschrift:  
Address:  
**(s. 4.)**



# Kraftfahrt-Bundesamt

DE-24932 Flensburg

---

2

Nummer der Genehmigung: 05300565

Approval No.:

6. Gegebenenfalls Name des Vertreters des Herstellers:  
If applicable, name of manufacturer's representative:  
**entfällt**  
**not applicable**
7. Anschrift:  
Address:  
**(s. 6.)**
8. Kurze Beschreibung des Helms:  
Brief description of helmet:  
**siehe Anlagen**  
**see enclosures**
9. Helm ohne Kinnbügel **(J)**  
Helmet without lower face cover **(J)**
10. Visiertyp oder Visiertypen:  
Type of visor or visors:  
**entfällt**  
**not applicable**
11. Kurze Beschreibung des Visiers oder der Visiere:  
Brief description of visor or visors:  
**entfällt**  
**not applicable**
12. Zur Genehmigung vorlegt am:  
Submitted for approval on:  
**31.05.2016**
13. Technischer Dienst, der die Prüfungen für die Genehmigungen durchführt:  
Technical service responsible for conducting approval tests:  
**SGS-TÜV Saar GmbH**  
**DE-81379 München**
14. Datum des Gutachtens des Technischen Dienstes:  
Date of report issued by that service:  
**26.05.2016**
15. Nummer des Gutachtens des Technischen Dienstes:  
Number of report issued by that service:  
**SHHOM160500448-00**



# Kraftfahrt-Bundesamt

DE-24932 Flensburg


---

3

Nummer der Genehmigung: 05300565

Approval No.:

16. Bemerkungen:  
Comments:  
**entfällt**  
**not applicable**
17. Die Genehmigung wird **erteilt**  
Approval **granted**
18. Ort: **DE-24932 Flensburg**  
Place:
19. Datum: **10.06.2016**  
Date:
20. Unterschrift: **Im Auftrag**  
Signature:

  
(D. Stieglitz)





# Kraftfahrt-Bundesamt

DE-24932 Flensburg

---

4

Nummer der Genehmigung: 05300565

Approval No.:

21. Folgende mit der oben erwähnten Genehmigungsnummer versehene Dokumente sind auf Anforderung erhältlich.  
The following documents, bearing the approval number shown above, are available on request:

**Nebenbestimmungen und Rechtsbehelfsbelehrung**  
**Collateral clauses and instruction on right to appeal**

**1 Prüfbericht mit Anlagen**  
**1 Test report with appendices**

**1 Beschreibungsmappe R22-V587-00 (17 Blatt)**  
**1 Information folder R22-V587-00 (17 sheets)**



# Kraftfahrt-Bundesamt

DE-24932 Flensburg

---

Nr. der Genehmigung: 05300565

Approval No.:

**- Anlage -**

## **Nebenbestimmungen und Rechtsbehelfsbelehrung**

### **Nebenbestimmungen**

Jede Einrichtung, die dem genehmigten Typ entspricht, ist gemäß der angewendeten Vorschrift zu kennzeichnen.

Das Genehmigungszeichen lautet wie folgt:



**05300565/J - .....**

Die Einzelerzeugnisse der reihenweisen Fertigung müssen mit den Genehmigungsunterlagen genau übereinstimmen. Änderungen an den Einzelerzeugnissen sind nur mit ausdrücklicher Zustimmung des Kraftfahrt-Bundesamtes gestattet. Änderungen der Firmenbezeichnung, der Anschrift und der Fertigungsstätten sowie eines bei der Erteilung der Genehmigung benannten Zustellungsbevollmächtigten oder bevollmächtigten Vertreters sind dem Kraftfahrt-Bundesamt unverzüglich mitzuteilen. Verstöße gegen diese Bestimmungen können zum Widerruf der Genehmigung führen und können überdies strafrechtlich verfolgt werden.

Die Genehmigung erlischt, wenn sie zurückgegeben oder entzogen wird, oder der genehmigte Typ den Rechtsvorschriften nicht mehr entspricht. Der Widerruf kann ausgesprochen werden, wenn die für die Erteilung und den Bestand der Genehmigung geforderten Voraussetzungen nicht mehr bestehen, wenn der Genehmigungsinhaber gegen die mit der Genehmigung verbundenen Pflichten – auch soweit sie sich aus den zu dieser Genehmigung zugeordneten besonderen Auflagen ergeben - verstößt oder wenn sich herausstellt, dass der genehmigte Typ den Erfordernissen der Verkehrssicherheit oder des Umweltschutzes nicht entspricht.

Das Kraftfahrt-Bundesamt kann jederzeit die ordnungsgemäße Ausübung der durch diese Genehmigung verliehenen Befugnisse, insbesondere die genehmigungsgerechte Fertigung sowie die Maßnahmen zur Übereinstimmung der Produktion, nachprüfen. Es kann zu diesem Zweck Proben entnehmen oder entnehmen lassen. Dem Kraftfahrt-Bundesamt und/oder seinen Beauftragten ist ungehinderter Zutritt zu Produktions- und Lagerstätten zu gewähren.

Die mit der Erteilung der Genehmigung verliehenen Befugnisse sind nicht übertragbar. Schutzrechte Dritter werden durch diese Genehmigung nicht berührt.



# Kraftfahrt-Bundesamt

DE-24932 Flensburg

---

2

Nummer der Genehmigung: 05300565

Approval No.:

## Rechtsbehelfsbelehrung

Gegen diese Genehmigung kann innerhalb eines Monats nach Bekanntgabe Widerspruch erhoben werden. Der Widerspruch ist beim **Kraftfahrt-Bundesamt, Fördestraße 16, DE-24944 Flensburg**, schriftlich oder zur Niederschrift einzulegen.

- Attachment -

## Collateral clauses and instruction on right to appeal

### Collateral clauses

All equipment which corresponds to the approved type is to be identified according to the applied regulation.

The approval identification is as follows: - see German version -

The individual production of serial fabrication must be in exact accordance with the approval documents. Changes in the individual production are only allowed with express consent of the Kraftfahrt-Bundesamt.

Changes in the name of the company, the address and the manufacturing plant as well as one of the parties given the authority to delivery or authorised representative named when the approval was granted is to be immediately disclosed to the Kraftfahrt-Bundesamt.

Breach of this regulation can lead to recall of the approval and moreover can be legally prosecuted.

The approval expires if it is returned or withdrawn or if the type approved no longer complies with the legal requirements. The revocation can be made if the demanded requirements for issuance and the continuance of the approval no longer exist, if the holder of the approval violates the duties involved in the approval, also to the extent that they result from the assigned conditions to this approval, or if it is determined that the approved type does not comply with the requirements of traffic safety or environmental protection.

The Kraftfahrt-Bundesamt may check the proper exercise of the conferred authority taken from this approval at any time. In particular this means the compliant production as well as the measures for conformity of production. For this purpose samples can be taken or have taken. The employees or the representatives of the Kraftfahrt-Bundesamt may get unhindered access to the production and storage facilities.

The conferred authority contained with issuance of this approval is not transferable. Trade mark rights of third parties are not affected with this approval.

### Instruction on right to appeal

This approval can be appealed within one month after notification. The appeal is to be filed in writing or as a transcript at the **Kraftfahrt-Bundesamt, Fördestraße 16, DE-24944 Flensburg**.

---

# Technical Report

Test standard:  
**ECE Regulation No. 22**

Level of amendment:  
**Supplement 2 to the 05 series of amendments**

Title:  
**Protective helmets and their visors**

---

Manufacturer:  
**SHANGHAI HEHUI SAFETY PRODUCTS MANUFACTURE CO., LTD.**

Type:  
**V587**

---

Subject of testing:  
**Component**

**0      General:**

0.1	Make (trade name of manufacturer):	TORC, ORIGINE, NITEK, JUST 1, VCAN, RVC, TANKED, RACING, STORM
0.2	Type:	V587
0.2.1	Commercial description(s):	n.a.
0.3	Means of identification of type, if marked on the vehicle / component / technical unit:	n.a.
0.3.1	Location of that markings:	n.a.
0.4	Category of vehicle:	n.a.
0.5	Manufacturer's name and address:	SHANGHAI HEHUI SAFETY PRODUCTS MANUFACTURE CO., LTD. NO.8 FENGJIN ROAD XIDU INDUSTRIAL DEVELOPMENT ZONE FENGXIAN DISTRICT SHANGHAI CHINA
0.8	Address of assembly plant:	SHANGHAI HEHUI SAFETY PRODUCTS MANUFACTURE CO., LTD. NO.8 FENGJIN ROAD XIDU INDUSTRIAL DEVELOPMENT ZONE FENGXIAN DISTRICT SHANGHAI CHINA
0.9	Name and address of representative:	n.a.
	Location of the approval mark:	refer to information document



1      **Test record:**

See appendix

2      **Attachments:**

2.1     List of modifications:

2.2     Information folder:

No.: R22-V587-00

Date of issue: 20.03.2016

**3 Statement of conformity:**

The information folder as mentioned under no. 2.2 and the type described therein are in compliance with the test standard mentioned above.

With regard to the required level of performance to be achieved, the test specimen were representative for the type to be approved.

The tests were carried out in accordance to the relevant requirements of the

EN ISO/IEC 17025:2005     EN ISO/IEC 17020:2012

**Test Laboratory**  
**SGS-TÜV Saar GmbH**

notified by

Kraftfahrt-Bundesamt (KBA),  
Federal Republic of Germany

National Standards  
Authority of Ireland (NSAI)

Rijksdienst voor het  
Wegverkeer (RDW),  
The Netherlands

**No. KBA - P 00084 – 10**

**No. 101**

**No. 99050064 00**

Responsible expert



Conformity check by



Lell Wu

Rose Han

Shanghai, 26.05.2016

This Technical Report shall be reproduced and published in full only and by the client only. It shall be reproduced partially with the written permission of the Test Laboratory only.

This document is issued by the Company under its General Conditions of Service accessible at <http://www.sgs-tuev-saar.com/en/broschueren/AGB-SGS-TUEV-EN.pdf>. Attention is drawn to the limitation of liability, indemnification and jurisdiction issues defined therein. Any holder of this document is advised that information contained hereon reflects the Company's findings at the time of its intervention only and within the limits of Client's instructions, if any. The Company's sole responsibility is to its Client and this document does not exonerate parties to a transaction from exercising all their rights and obligations under the transaction documents. Any unauthorized alteration, forgery or falsification of the content or appearance of this document is unlawful and offenders may be prosecuted to the fullest extent of the law.

**Test record**

**1 Test object and measuring equipment**

**1.1 Test object**

- Protective helmet (without visor)
- Protective helmet (with visor)
- Visor

**1.1.1 Protective Helmet**

Type: V587  
 Sizes: XS(53/54), S(55/56), M(57/58), L(59/60), XL(61/62), XXL(63)  
 Lower face cover:  Without lower face cover (J)  
 Protective (P)  
 Non protective (NP)

**1.1.2 Helmet visor**

n.a.

**1.1.3 Sun shade**

The helmet is equipped with a swivel-mounted sun shade, which may only be used in combination with the visor in closed position according to the user manual

- On the inner side of the visor
- On the outer side of the visor
- Not applicable

**1.1.4 Remarks:**

n.a.

**1.2 Equipments for measuring and testing:**

**1.2.1 Test equipment:**

The equipment and the test facilities on which the tests were carried out fulfilled the requirements of the ECE Regulation 22.05

**1.2.2 Measurement procedure:**

according to ECE Regulation No. 22.05

**2 Test Results**

**2.1 Protective helmet**

2.1.1 Marking (clause 4.1.1, 4.4)

All required information, in accordance with the ECE R22.05, is given by the labels

- fulfilled
- Not fulfilled
- n.a.

2.1.2 Basic construction (clause 6.1)

Shell + Protective padding + Retention system

- fulfilled
- Not fulfilled
- n.a.

2.1.3 If fitted with non protective lower face cover (clause 6.2)

Marked "Does not protect chin from impacts"

- Marked with symbol
- n.a.



2.1.4 Extent of the protection (clauses 6.4, 6.5)

The shell and the protective padding cover all areas as required

- fulfilled
- Not fulfilled
- n.a.

- 2.1.5 Projections / irregularities / sharp edges (clauses 6.6 to 6.9)
- All external projections other than press-fasteners are smooth and adequately faired, all external projections which are not more than 2 mm above the outer surface of the shell, have a radius of more than 1 mm, all external projections which are more than 2 mm above the outer surface of the shell have a radius of more than 2 mm.
- All projections or irregularities in the outer surface of the shell which are higher than 2 mm, fulfill the requirements after the shear assessment test. The outer surface of the helmet fulfills the requirements after the friction assessment test.
- There are no inward-facing sharp edges on the inside of the helmet; rigid, projecting internal parts are covered with padding so that any stresses transmitted to the head are not highly concentrated.
- fulfilled  
 Not fulfilled  
 n.a.
- 2.1.6 Test method for projections and surface friction
- Procedure A (7.4.1)  
 Procedure B (7.4.2)

Helmet No.	Helmet Size (cm)	Condition	Projections	Friction
L-3	59/60	Solvent plus ambient temperature and hygrometry conditioning	Pass	Pass

2.1.7 Peripheral vision (clause 6.14)

Horizontal ( $\geq 105^\circ$ ):

x	fulfilled
	Not fulfilled
	n.a.

Upwards ( $\geq 7^\circ$ ):

x	fulfilled
	Not fulfilled
	n.a.

Downwards ( $\geq 45^\circ$ ):

x	fulfilled
	Not fulfilled
	n.a.

2.1.8 Conspicuity marking  
(clause 6.16)

	fulfilled
	Not fulfilled
x	n.a.

2.1.9 Impact-absorption tests  
(clause 7.3)

x	fulfilled
	Not fulfilled
	n.a.

Size: 61/62 cm

Test Head Form: O (62 cm)

Helmet No.	Condition	Test anvil	Test site	Velocity (m/s)	Peak 'G ≤275g	HIC ≤2400
XL-1	Solvent plus ambient temperature and hygrometry conditioning	Flat	B	7.61	142.2	1055
		Flat	X	7.60	166.9	1071
		Kerbstone	P	7.58	201.5	1964
		Kerbstone	R	7.59	218.5	2045
XL-2	Solvent plus ambient temperature and hygrometry conditioning	Kerbstone	B	7.61	196.9	1670
		Kerbstone	X	7.62	204.7	1781
		Flat	P	7.62	161.2	1155
		Flat	R	7.57	133.3	924
XL-3	Solvent plus heat conditioning	Kerbstone	B	7.57	150.6	1090
		Kerbstone	X	7.58	187.1	1063
		Kerbstone	P	7.58	136.9	853
		Kerbstone	R	7.57	132.6	956
XL-4	Solvent plus low temperature conditioning	Flat	B	7.62	211.9	1880
		Flat	X	7.60	199.4	1619
		Flat	P	7.61	203.0	1909
		Flat	R	7.61	206.5	1754
XL-5	Solvent plus ultra-violet radiation conditioning and moisture conditioning	Flat	B	7.59	194.3	1612
		Kerbstone	X	7.56	140.9	949
		Kerbstone	P	7.59	143.1	858
		Flat	R	7.58	178.7	1606

Size: 53/54 cm

Test Head Form: E (54 cm)

Helmet No.	Condition	Test anvil	Test site	Velocity (m/s)	Peak 'G ≤ 275g	HIC ≤ 2400
XS-1	Solvent plus heat conditioning	Kerbstone	B	7.58	141.3	1084
		Kerbstone	X	7.58	160.1	1198
		Kerbstone	P	7.59	150.3	1260
		Kerbstone	R	7.57	170.7	1465
XS-2	Solvent plus low temperature conditioning	Flat	B	7.58	206.2	1785
		Flat	X	7.59	230.4	1983
		Flat	P	7.58	210.1	1825
		Flat	R	7.57	225.4	2132

Size: 57/58 cm

Test Head Form: J (57 cm)

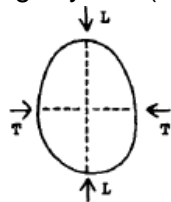
Helmet No.	Condition	Test anvil	Test site	Velocity (m/s)	Peak 'G ≤ 275g	HIC ≤ 2400
M-1	Solvent plus heat conditioning	Kerbstone	B	7.58	141.9	1032
		Kerbstone	X	7.58	149.9	1132
		Kerbstone	P	7.57	142.8	956
		Kerbstone	R	7.58	147.6	1198
M-2	Solvent plus low temperature conditioning	Flat	B	7.59	176.9	1257
		Flat	X	7.57	245.2	2151
		Flat	P	7.58	196.9	1752
		Flat	R	7.59	249.3	2285

Size: 59/60 cm

Test Head Form: M (60 cm)

Helmet No.	Condition	Test anvil	Test site	Velocity (m/s)	Peak 'G ≤ 275g	HIC ≤ 2400
L-1	Solvent plus heat conditioning	Kerbstone	B	7.58	150.5	1149
		Kerbstone	X	7.58	181.3	1143
		Kerbstone	P	7.56	133.0	886
		Kerbstone	R	7.57	144.0	1091
L-2	Solvent plus low temperature conditioning	Flat	B	7.57	196.8	1540
		Flat	X	7.57	227.1	1847
		Flat	P	7.58	190.8	1690
		Flat	R	7.58	235.9	2023

2.1.10 Rigidity test (clause 7.5)



<input checked="" type="checkbox"/>	fulfilled
<input type="checkbox"/>	Not fulfilled
<input type="checkbox"/>	n.a.

Helmet No.	Size	Condition	Direction	Max. deformation (≤ 40 mm)	Residual deformation (≤ 15 mm)
XL-6	61/62	Solvent plus ambient temperature and hygrometry conditioning	Longitudinal axis	6.7	1.8
XL-7	61/62	Solvent plus ambient temperature and hygrometry conditioning	Transverse axis	14.6	2.4



**2.2 Retention system**

- 2.2.1 The retention system is protected from abrasion  fulfilled  
 Not fulfilled  
 n.a.
- 2.2.2 Chin strap (clause 6.11.1, 6.11.2) The width of the chin strap is more than 20 mm under load of 150 N and it doesn't include a chin-cup.  
 fulfilled  
 Not fulfilled  
 n.a.
- 2.2.3 Adjustment device (clause 6.11.3) The retention system includes a device to adjust and maintain tension.  
 fulfilled  
 Not fulfilled  
 n.a.
- 2.2.4 Fastening devices (clauses 6.11.4 to 6.11.9) The requirements for fastening devices and release mechanisms are in accordance to the requirements of the test standard.  
 fulfilled  
 Not fulfilled  
 n.a.
- 2.2.5 Retention system dynamic test (clause 7.6)  fulfilled  
 Not fulfilled  
 n.a.

Helmet No.	Helmet Size (cm)	Condition	Dynamic displacement (≤ 35 mm)	Residual displacement (≤ 25 mm)
XS-3	53/54	Solvent plus ambient temperature and hygrometry conditioning	15.9	6.0

2.2.6 Retention (detaching) test (clause 7.7)  fulfilled  
 Not fulfilled  
 n.a.

Helmet No.	Helmet Size (cm)	Condition	Movement of the reference line ( $\leq 30^\circ$ )
XS-3	53/54	Solvent plus ambient temperature and hygrometry conditioning	18°

2.2.7 Micro-slip test of the chin strap (clause 7.9)  fulfilled  
 Not fulfilled  
 n.a.

Slippage of chin strap: ( $\leq 10\text{mm}$ ): <5 mm

2.2.8 Chin strap, resistance to abrasion test (clause 7.10)  fulfilled  
 Not fulfilled  
 n.a.

2.2.8.1 Chin strap, withstand a tension of 3 kN (clause 7.10.5)  fulfilled  
 Not fulfilled  
 n.a.

2.2.9 Retention systems relying on quick-release mechanisms (clause 7.11)

2.2.9.1 Inadvertent release by pressure (clause 7.11.1)  fulfilled  
 Not fulfilled  
 n.a.

2.2.9.2 Ease of release (clause 7.11.2)  fulfilled  
 Not fulfilled  
 n.a.

2.2.9.3	Durability of quick-release mechanisms (clause 7.11.3)	<input checked="" type="checkbox"/> fulfilled <input type="checkbox"/> Not fulfilled <input type="checkbox"/> n.a.
<b>2.3</b>	<b>Visor</b>	<input checked="" type="checkbox"/> n.a. (no visor) <input type="checkbox"/> n.a. (visor separately approved)
<b>2.4</b>	<b>Information for wearers</b> (clauses 14.1 to 14.6)	
2.4.1	<p>Every protective helmet placed on the market shall bear a clearly visible label with the following inscription in the national language, or at least one of the national languages, of the country of destination:</p> <p><i>"For adequate protection, this helmet must fit closely and be securely attached. Any helmet that has sustained a violent impact should be replaced"</i></p> <p>and, if fitted with a non protective lower face cover:</p> <p><i>"Does not protect chin from impacts"</i></p> <p>together with the symbol indicating the unsuitability of the lower face cover to offer any protection against impacts to the chin</p>	<input checked="" type="checkbox"/> fulfilled <input type="checkbox"/> Not fulfilled <input type="checkbox"/> n.a.  <input type="checkbox"/> fulfilled <input type="checkbox"/> Not fulfilled <input checked="" type="checkbox"/> n.a.
2.4.2	<p>and, if hydrocarbons, cleaning fluids, paints, transfers or other extraneous additions affect the shell material adversely</p> <p><i>"Warning' - Do not apply paint, stickers, petrol or other solvents to this helmet"</i></p>	<input checked="" type="checkbox"/> fulfilled <input type="checkbox"/> Not fulfilled <input type="checkbox"/> n.a.
2.4.3	Every protective helmet shall be clearly marked with its size and its maximum	<input checked="" type="checkbox"/> fulfilled <input type="checkbox"/> Not fulfilled

	weight, to the nearest 50 grammes, as placed on the market. The maximum weight quoted should include all the accessories that are supplied with the helmets, within the packaging, as it is placed on the market, whether or not those accessories have actually been fitted to the helmet.	<input type="checkbox"/> n.a.
2.4.4	Every protective helmet offered for sale shall bear a label showing the type or types of visor that have been approved at the manufacturer's request.	<input type="checkbox"/> fulfilled <input type="checkbox"/> Not fulfilled <input checked="" type="checkbox"/> n.a.
2.4.5	Every visor offered for sale shall bear a label showing the types of protective helmet for which it has been approved	<input type="checkbox"/> fulfilled <input type="checkbox"/> Not fulfilled <input checked="" type="checkbox"/> n.a.
2.4.6	Every visor placed on the market with a protective helmet shall be accompanied by information in the national language, or in at least one of the national languages, of the country of destination. This information shall contain:	
2.4.6.1	General Instruction for Storage and Care	<input type="checkbox"/> fulfilled <input type="checkbox"/> Not fulfilled <input checked="" type="checkbox"/> n.a.
2.4.6.2	Specific instructions for cleaning and their notice of use. These instructions shall include a warning regarding the dangers of using unsuitable agents for cleaning (such as solvents), especially if abrasion resistant coatings are to be preserved.	<input type="checkbox"/> fulfilled <input type="checkbox"/> Not fulfilled <input checked="" type="checkbox"/> n.a.
2.4.6.3	Advice as to the suitability of the visor for use in conditions of poor visibility and during the hours of darkness. The following warning shall be included: Visors with the marking indicating "day-time use only" are not suitable for use during the hours of darkness or in condi-	<input type="checkbox"/> fulfilled <input type="checkbox"/> Not fulfilled

tions of poor visibility.  n.a.

2.4.6.4 If appropriate, the following warning shall also be included

The fastening of this visor is such that it will not be possible to remove it instantly from the line of sight with one hand should an emergency (such as headlamp glare or misting) occur.

fulfilled  
 Not fulfilled  
 n.a.

2.4.6.5 If the visor is MIST RETARDANT approved it may be indicated

fulfilled  
 Not fulfilled  
 n.a.

2.4.6.6 Instructions regarding the detention of obsolescence

fulfilled  
 Not fulfilled  
 n.a.

### 3 Other information

Place of testing: SGS CSTC Guangzhou, P.R. China

Date of testing: 12.05.2016

4 **Remarks:** ---



---

**List of modifications:**

- |   |                  |      |
|---|------------------|------|
| 1 | Correction of:   | n.a. |
| 2 | Modification of: | n.a. |
| 3 | Addition of:     | n.a. |
| 4 | Deletion of:     | n.a. |

# INFORMATION DOCUMENT

No.: R22-V587-00



SHANGHAI HEHUI SAFETY PRODUCTS MANUFACTURE CO., LTD.

**TYPE: V587**

Protective helmet without visor  
pursuant to

**Regulation No. 22**

UNIFORM PROVISIONS CONCERNING THE APPROVAL OF  
PROTECTIVE HELMETS AND THEIR VISORS FOR DRIVERS AND  
PASSENGERS OF MOTORCYCLES AND MOPEDS

Signature of a responsible person:

A handwritten signature in black ink, consisting of several loops and a long horizontal stroke at the bottom. The signature is positioned to the right of the text 'Signature of a responsible person:'.

Date: 20.03.2016



Type : V587  
 Manufacture : SHANGHAI HEHUI SAFETY PRODUCTS  
 MANUFACTURE CO., LTD.

Date:20.03.2016

Page 2 of 17

**0 GENERAL INFORMATION**

- 0.1 Make (trade name of manufacturer) : TORC, ORIGINE, NITEK, JUST 1, VCAN, RVC, TANKED, RACING, STORM
- 0.2 Type : V587
- 0.2.1 Commercial description(s) : n.a.
- 0.3 Variants / Versions : n.a.
- 0.4 Name and address of manufacturer : SHANGHAI HEHUI SAFETY PRODUCTS  
MANUFACTURE CO., LTD.  
NO.8 FENGJIN ROAD XIDU INDUSTRIAL  
DEVELOPMENT ZONE FENGXIAN DISTRICT  
SHANGHAI CHINA
- 0.5 Name and address of assembly plant : SHANGHAI HEHUI SAFETY PRODUCTS  
MANUFACTURE CO., LTD.  
NO.8 FENGJIN ROAD XIDU INDUSTRIAL  
DEVELOPMENT ZONE FENGXIAN DISTRICT  
SHANGHAI CHINA
- 0.6 Name and address of manufacturer's authorized representative(if any) : n.a.
- 0.7 Location and method of affixing of the international approval mark : Marked in a label sewn on the retention system, see Annex 5

**1 TECHNICAL DESCRIPTION**

- 1.1 Description of the helmet
  - 1.1.1 Type of helmet : Half face
  - 1.1.2 Type of lower face cover : "J" none
  - 1.1.3 Size(s) (cm) : XS(53/54), S(55/56), M(57/58), L(59/60), XL(61/62), XXL(63)
  - 1.1.4 Drawing of the helmet : see Annex 1
- 1.2 Description of the visor : n.a.
- 1.3 Description of the shell
  - 1.3.1 Material : Composite material
  - 1.3.2 Manufacture method : Hand layup shell
  - 1.3.3 Ventilation : see Annex 1
  - 1.3.4 Composition of the border join on the shell : PVC
  - 1.3.5 Drawing of the shell : see Annex 2
- 1.4 Description of protective padding
  - 1.4.1 Composition : Expanded polystyrene
  - 1.4.2 Density and weight :

Size (cm)	Shell size	Comfort padding thickness +Top Zone (mm)	EPS Density + Top zone (Kg/m <sup>3</sup> )	EPS Padding Thickness (mm)	Main EPS Weight (grams)
XS(53/54)	M	14/16	53/32	25/40	110±5
S(55/56)	M	12/16	53/32	25/40	110±5
M(57/58)	M	10/16	53/32	25/40	110±5
L(59/60)	XL	10/16	60/34	23/40	138±5
XL(61/62)	XL	8/16	60/34	23/40	138±5
XXL(63))	XL	6/16	60/34	23/40	138±5

- 1.4.3 Drawing of the protective padding : see Annex 3





Type : V587  
 Manufacture : SHANGHAI HEHUI SAFETY PRODUCTS  
 MANUFACTURE CO., LTD.

Date:20.03.2016

Page 3 of 17

- 1.5 Description of comfort padding
- 1.5.1 Composition of Comfort padding : Compound sponge
- Comfort tissue : Compound cloth
- Protection of the back of the nape : Compound sponge
- Lateral packing : EPS and compound sponge
- Lower face cover : n.a.
- 1.5.2 Drawing of the comfort padding : see Annex 4
  
- 1.6 Description of the retention system
- 1.6.1 Chin strap
- Material : Nylon Belt
- Width : 22 mm
- 1.6.2 Retention system : Quick release buckle
- 1.6.3 Comfort padding of the retention system
- Composition : Leather and fabric
- Thickness : 2 mm
- 1.6.4 Anchorage system to the shell : By a metallic piece fitted to the internal part of the shell by a rivet
- 1.6.5 Drawing of the retention system : see Annex 5
  
- 1.7 Other Characteristics
- 1.7.1 Markings
- Make : Outer shell, different location depending on makers
- Weight : Rear part of the shell
- Size : Rear part of the shell
- 1.7.2 Indelible marking
- How it is made : By sewing
- Position : On the chin strap
  
- 1.8 Accessories
- 1.8.1 Peak : n.a.
- 1.8.2 Information for wearer
- 1.8.2.1 Text : see Annex 6
- 1.8.2.2 Position : Hang-tag on strap

**ANNEXS**

Annex 1	Drawing of the helmet	20.03.2016
Annex 2	Drawing of the shell	20.03.2016
Annex 3	Drawing of the protective padding	20.03.2016
Annex 4	Drawing of the comfort padding	20.03.2016
Annex 5	Drawing of the retention system	20.03.2016
Annex 6	Information for wearer	20.03.2016

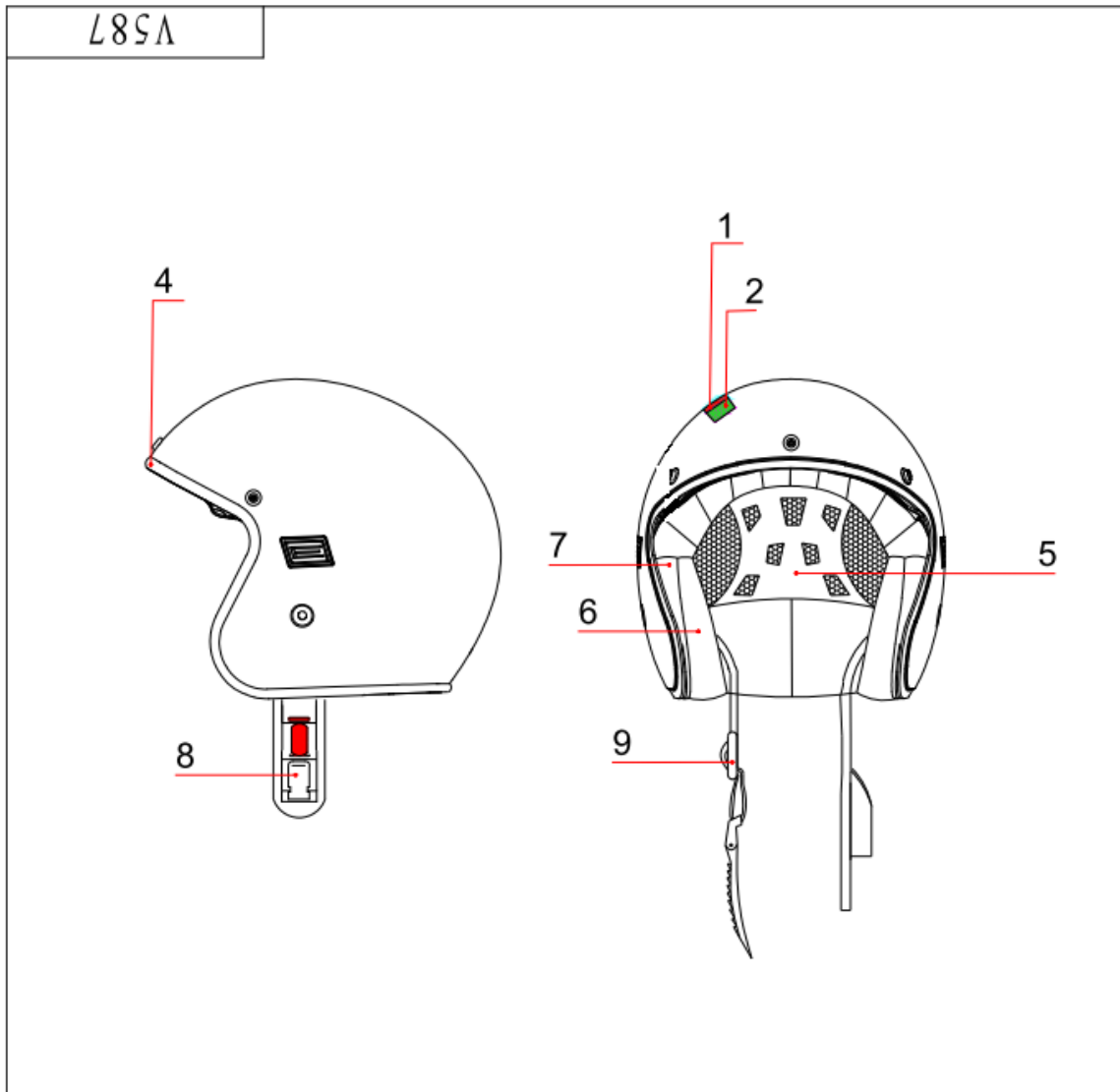


Type : V587  
 Manufacture : SHANGHAI HEHUI SAFETY PRODUCTS  
 MANUFACTURE CO., LTD.

Date:20.03.2016

Page 4 of 17

Annex 1: Drawing of the helmet



4	V587.4	Visor trim	1
2	V587.2	Protective padding device	1
1	V587.1	Shell	1
NO.	Code	Name	Amount
9	V587.9	Chin strap(right)	1
8	V587.8	Chin strap(left)	1
7	V587.7	Lower earmuffs	1
6	V587.6	Upper earmuffs	1
5	V587.5	Comfort padding	1
NO.	Code	Name	Amount

				Shanghai Hehui Safety Products Manufacture Co., Ltd.			
				Assembly Drawing			
				V587			
ZONE	REV	DESC	APPROVAL	DATE	Drawing Mark	Weight	Scale
Designer	朱学刚	Standard	温兴建				
Drafter	温兴建	Approval	朱学刚				
Examine	朱学刚	Permit	朱学刚		<b>SAB</b>		
Technician	朱勇	Date	2016.03.20		Total Pages		Page

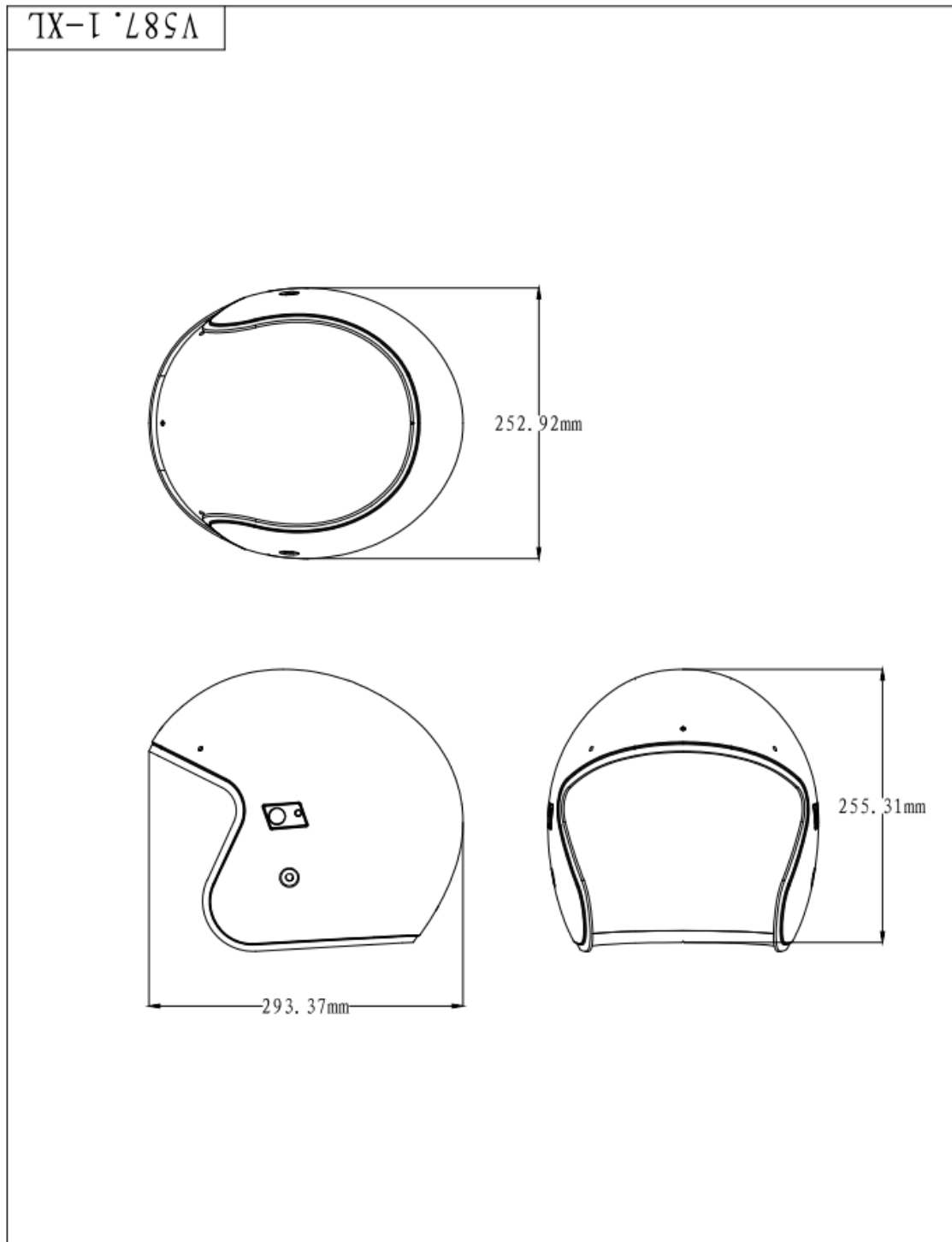


Type : V587  
 Manufacture : SHANGHAI HEHUI SAFETY PRODUCTS  
 MANUFACTURE CO., LTD.

Date:20.03.2016

Page 5 of 17

Annex 2: Drawing of the shell



				Composite Material			Shanghai Hehui Safety Products Manufacture Co., Ltd.	
							Shell	
ZONE	REV	DESC	APPROVAL	DATE	Drawing Mark	Weight	Scale	V587.1-XL
Designer	朱学刚	Standard	温兴建					
Drafter	温兴建	Approval	朱学刚					
Examine	朱学刚	Permit	朱学刚		SAB			
Technician	朱勇	Date	2016.03.20		Total Pages	Page		

INFORMATION DOCUMENT

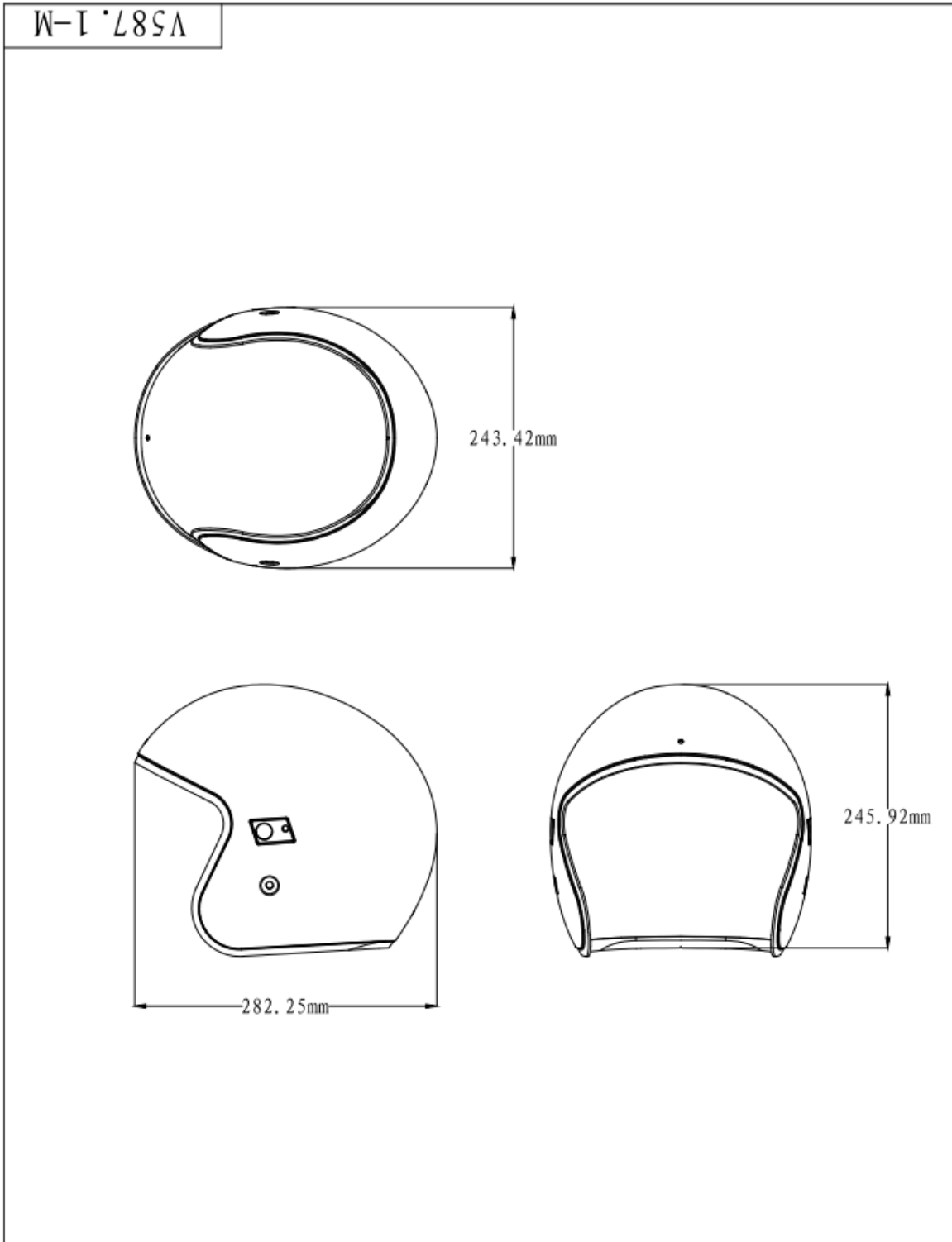
R22-V587-00



Type : V587  
 Manufacture : SHANGHAI HEHUI SAFETY PRODUCTS  
 MANUFACTURE CO., LTD.

Date:20.03.2016

Page 6 of 17



					Composite Material			Shanghai Hehui Safety Products Manufacture Co., Ltd.	
								Shell	
ZONE	REV	DESC	APPROVAL	DATE	Drawing Mark	Weight	Scale	V587.1-M	
Designer		朱学刚	Standard	温兴建					
Drafter		温兴建	Approval	朱学刚					
Examine		朱学刚	Permit	朱学刚					
Technician		朱勇	Date	2016.03.20	SAB		Total Pages	Page	

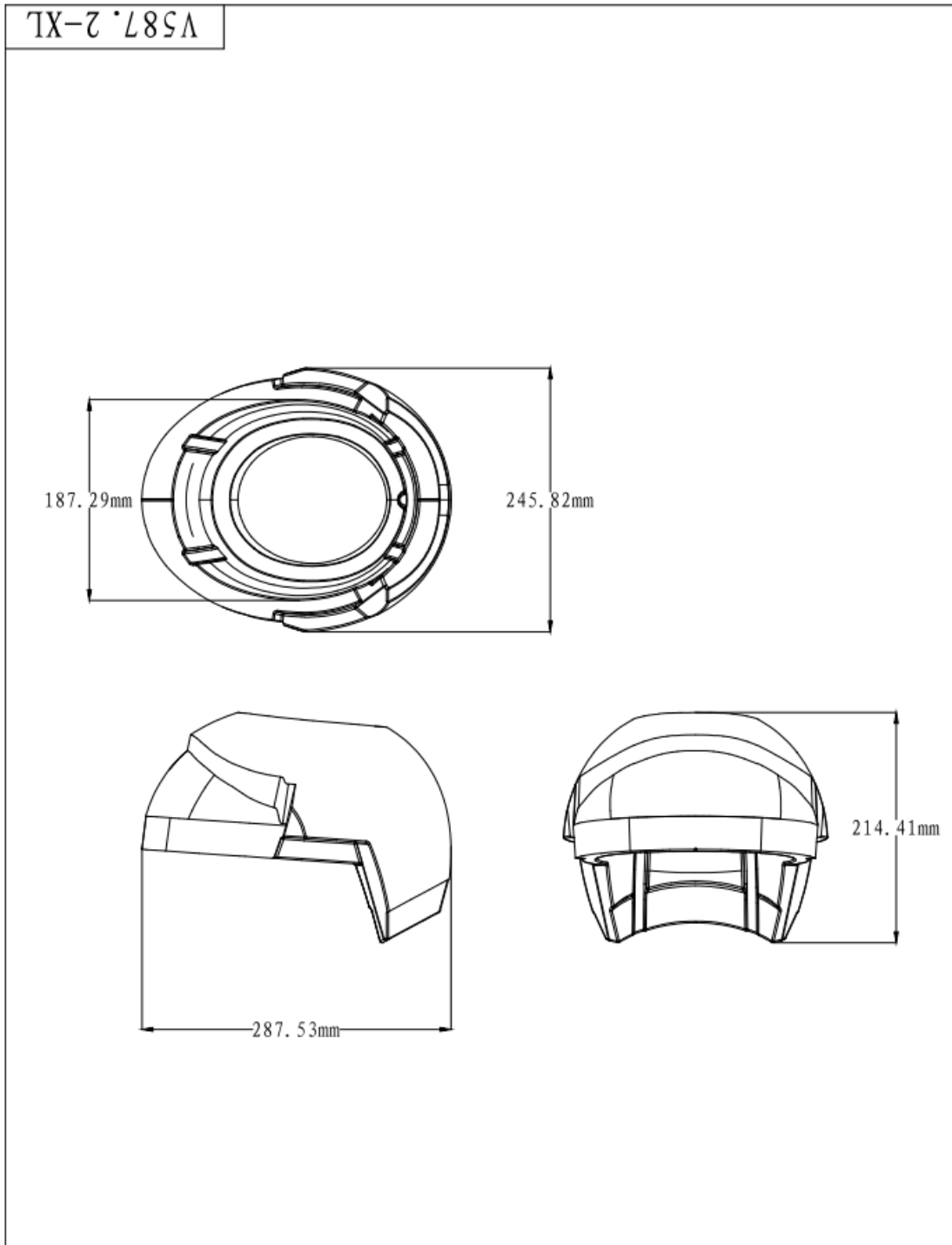


Type : V587  
 Manufacture : SHANGHAI HEHUI SAFETY PRODUCTS  
 MANUFACTURE CO., LTD.

Date:20.03.2016

Page 7 of 17

Annex 3: Drawing of the protective padding



				EPS			Shanghai Hehui Safety Products Manufacture Co., Ltd.	
							Protective padding device	
ZONE	REV	DESC	APPROVAL	DATE	SAB	Weight	Scale	V587.2-XL
Designer	朱学刚	Standard	温兴建	Drawing Mark				
Drafter	温兴建	Approval	朱学刚					
Examine	朱学刚	Permit	朱学刚		Total Pages	Page		
Technician	朱勇	Date	2016.03.20					

INFORMATION DOCUMENT

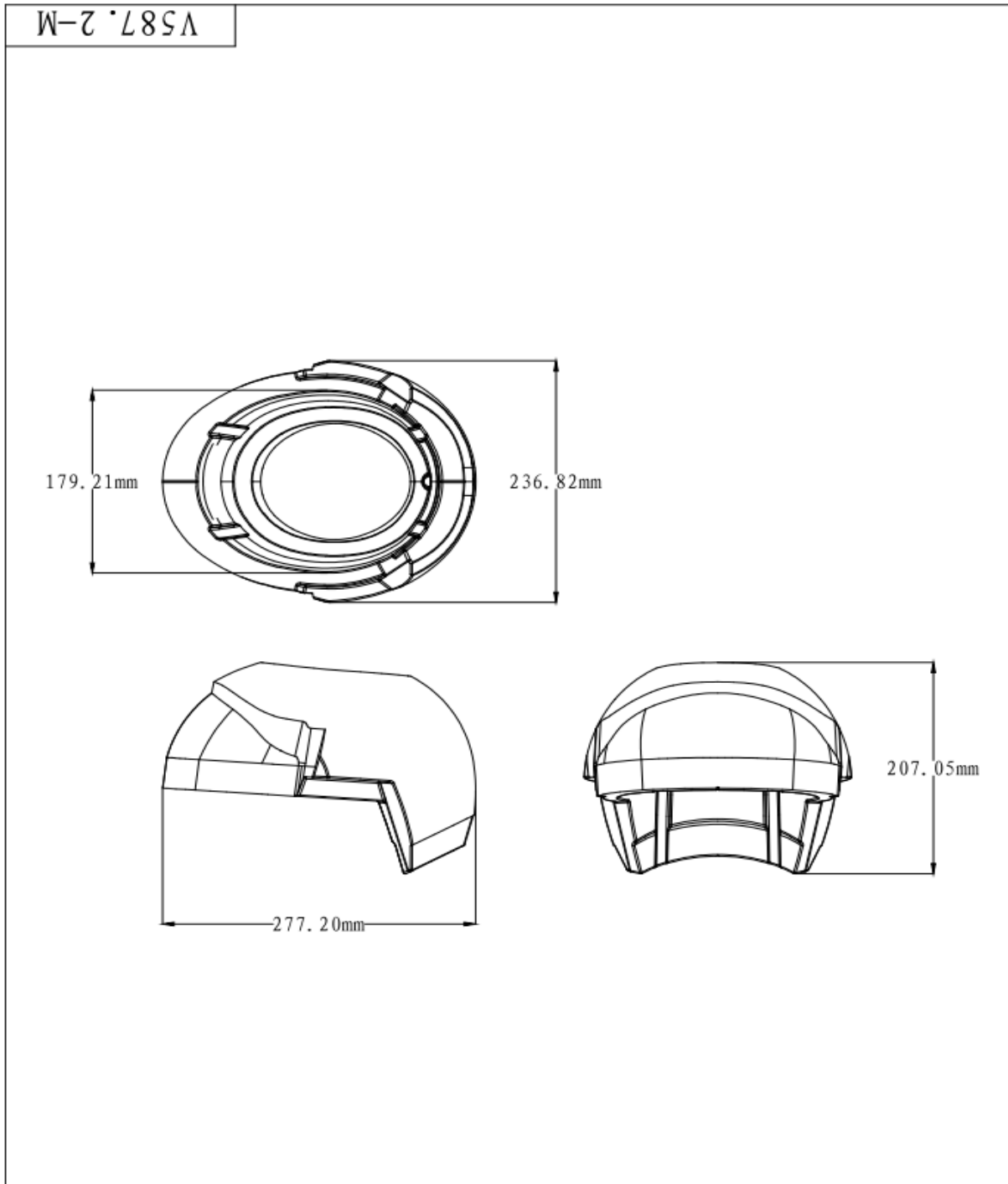
R22-V587-00



Type : V587  
 Manufacture : SHANGHAI HEHUI SAFETY PRODUCTS  
 MANUFACTURE CO., LTD.

Date:20.03.2016

Page 8 of 17



					EPS			Shanghai Hehui Safety Products Manufacture Co., Ltd.	
ZONE	REV	DESC	APPROVAL	DATE	Drawing Mark	Weight	Scale	V587.2-M	
Designer	朱学刚	Standard	温兴建						
Drafter	温兴建	Approval	朱学刚						
Examine	朱学刚	Permit	朱学刚						
Technician	朱勇	Date	2016.03.20		SAB			Total Pages	Page

INFORMATION DOCUMENT

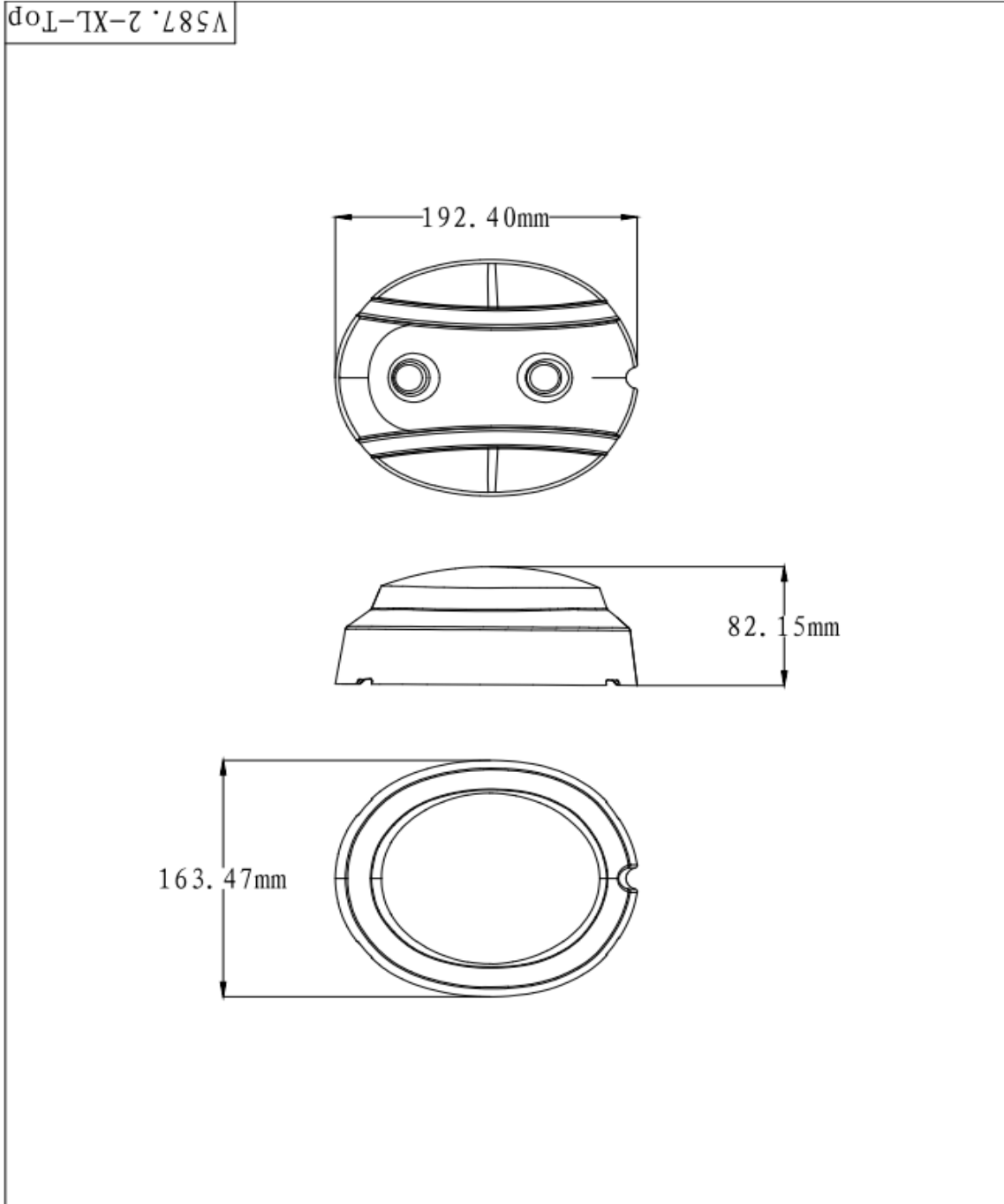
R22-V587-00



Type : V587  
 Manufacture : SHANGHAI HEHUI SAFETY PRODUCTS  
 MANUFACTURE CO., LTD.

Date:20.03.2016

Page 9 of 17



					EPS			Shanghai Hehui Safety Products Manufacture Co., Ltd.	
ZONE	REV	DESC	APPROVAL	DATE	Drawing Mark	Weight	Scale	V587.2-XL-Top	
Designer	朱学刚	Standard	温兴建		SAB				
Drafter	温兴建	Approval	朱学刚						
Examine	朱学刚	Permit	朱学刚		Total Pages	Page			
Technician	朱勇	Date	2016.03.20						

INFORMATION DOCUMENT

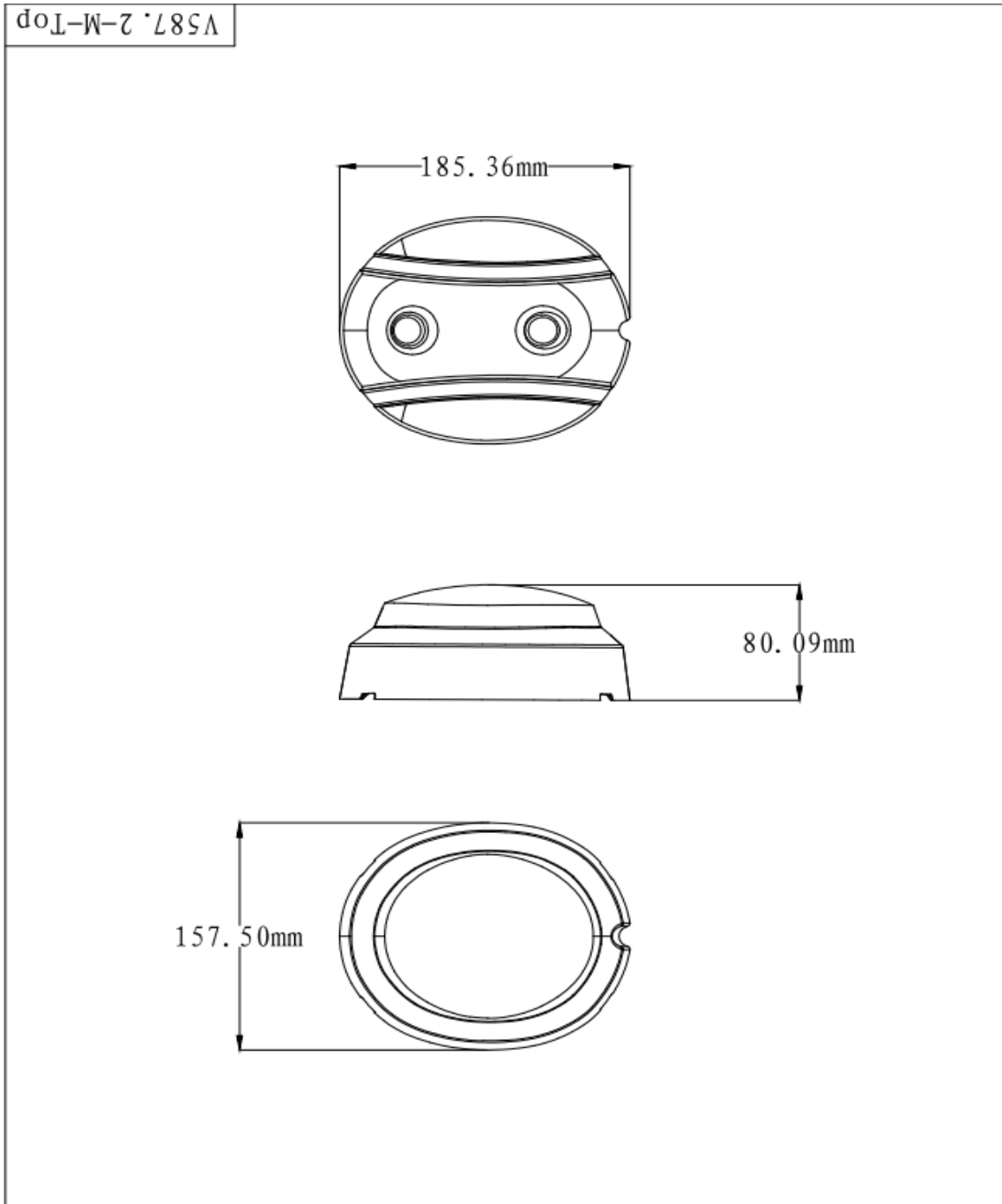
R22-V587-00



Type : V587  
 Manufacture : SHANGHAI HEHUI SAFETY PRODUCTS  
 MANUFACTURE CO., LTD.

Date:20.03.2016

Page 10 of 17



					EPS			Shanghai Hehui Safety Products Manufacture Co., Ltd.	
ZONE	REV	DESC	APPROVAL	DATE	Drawing Mark	Weight	Scale	V587.2-M-Top	
Designer	朱学刚	Standard	温兴建						
Drafter	温兴建	Approval	朱学刚						
Examine	朱学刚	Permit	朱学刚						
Technician	朱勇	Date	2016.03.20		Total Pages		Page		



INFORMATION DOCUMENT

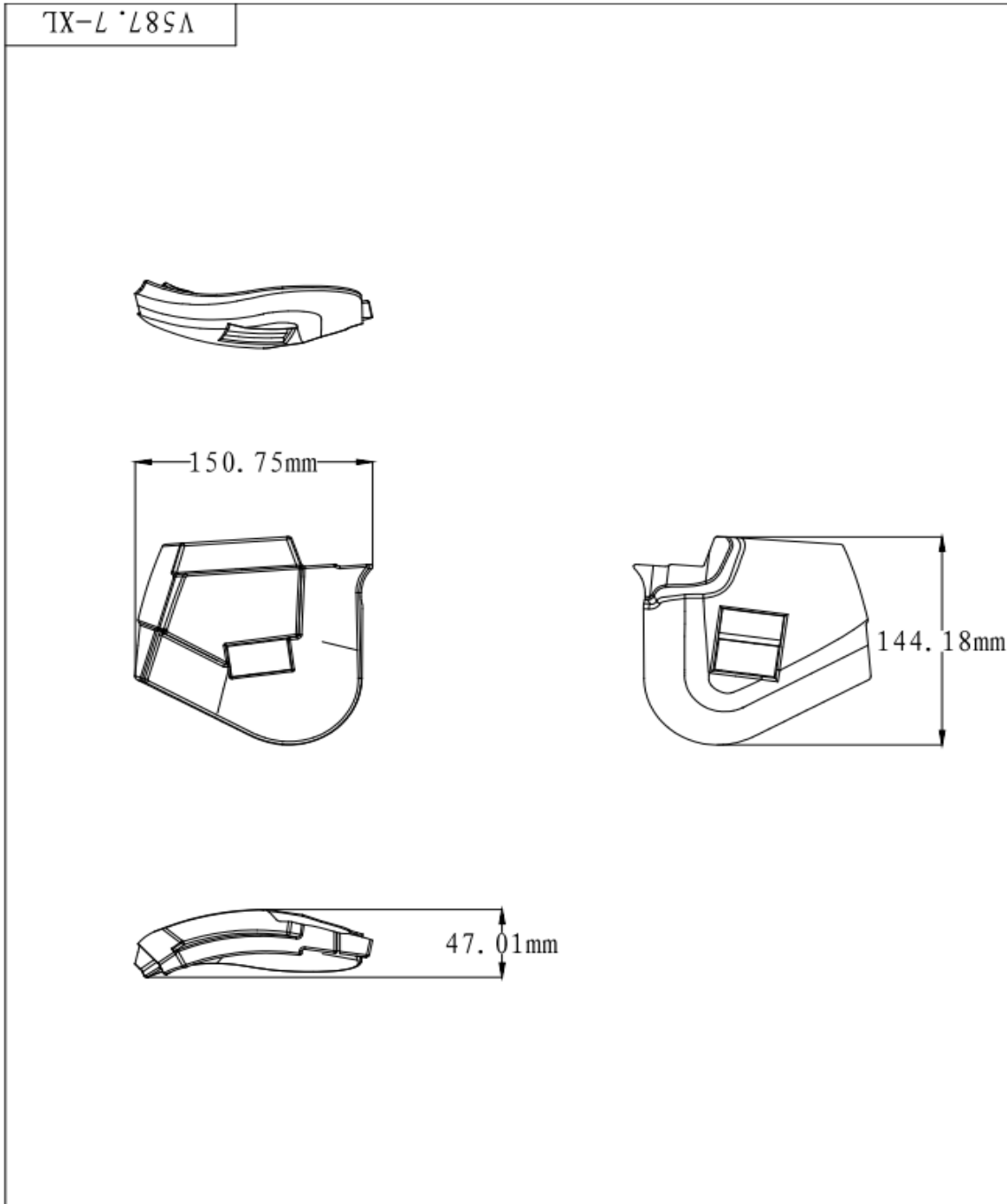
R22-V587-00



Type : V587  
 Manufacture : SHANGHAI HEHUI SAFETY PRODUCTS  
 MANUFACTURE CO., LTD.

Date:20.03.2016

Page 11 of 17



					EPS			Shanghai Hehui Safety Products Manufacture Co., Ltd.	
ZONE	REV	DESC	APPROVAL	DATE	SAB	Drawing Mark	Weight	Scale	V587.7-XL
Designer	朱学刚	Standard	温兴建						
Drafter	温兴建	Approval	朱学刚						
Examine	朱学刚	Permit	朱学刚						
Technician	朱勇	Date	2016.03.20	Total Pages	Page				

INFORMATION DOCUMENT

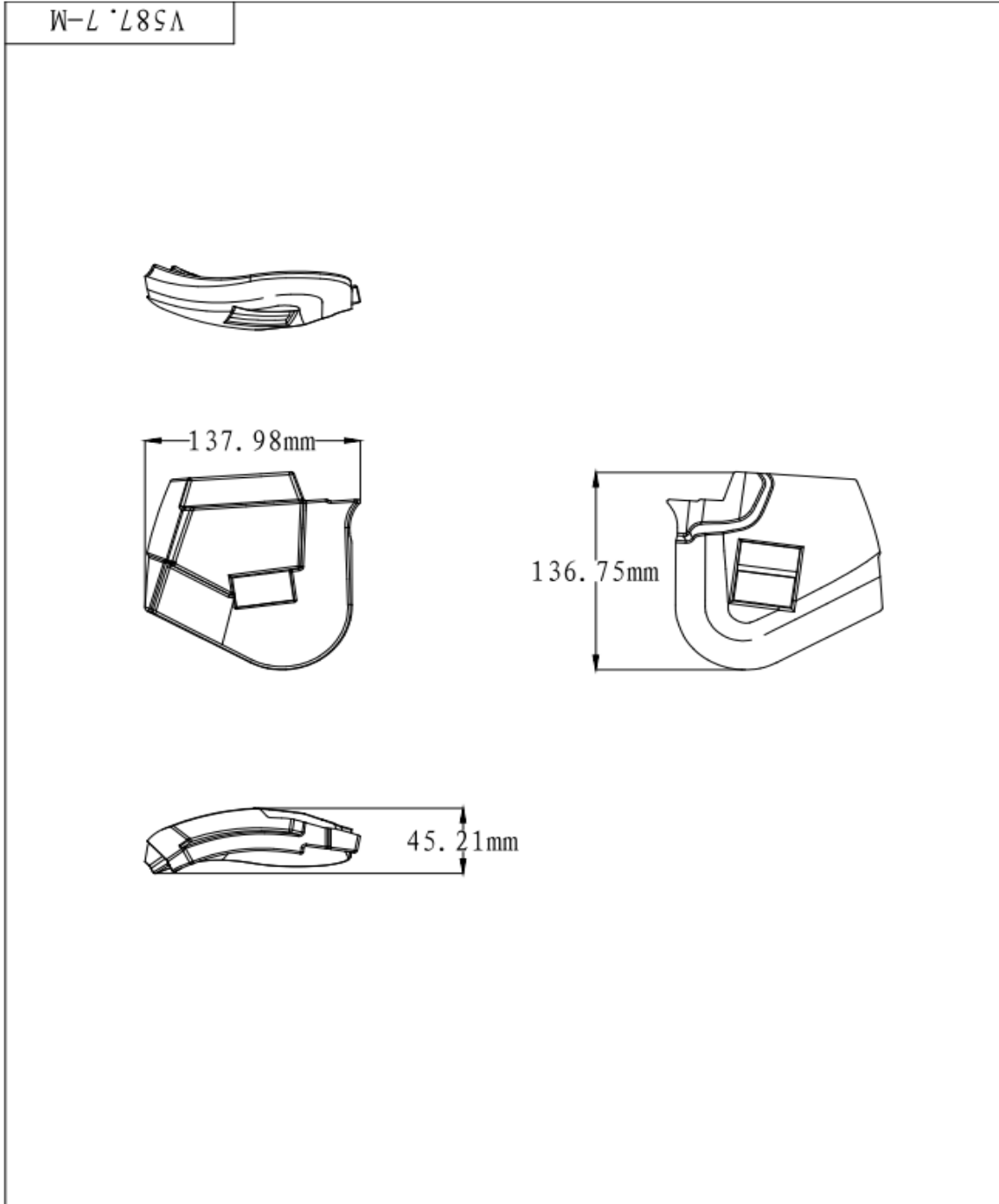
R22-V587-00



Type : V587  
 Manufacture : SHANGHAI HEHUI SAFETY PRODUCTS  
 MANUFACTURE CO., LTD.

Date:20.03.2016

Page 12 of 17



					EPS			Shanghai Hehui Safety Products Manufacture Co., Ltd.	
ZONE	REV	DESC	APPROVAL	DATE	Drawing Mark	Weight	Scale	V587.7-M	
Designer	朱学刚	Standard	温兴建						
Drafter	温兴建	Approval	朱学刚						
Examine	朱学刚	Permit	朱学刚						
Technician	朱勇	Date	2016.03.20		Total Pages		Page		

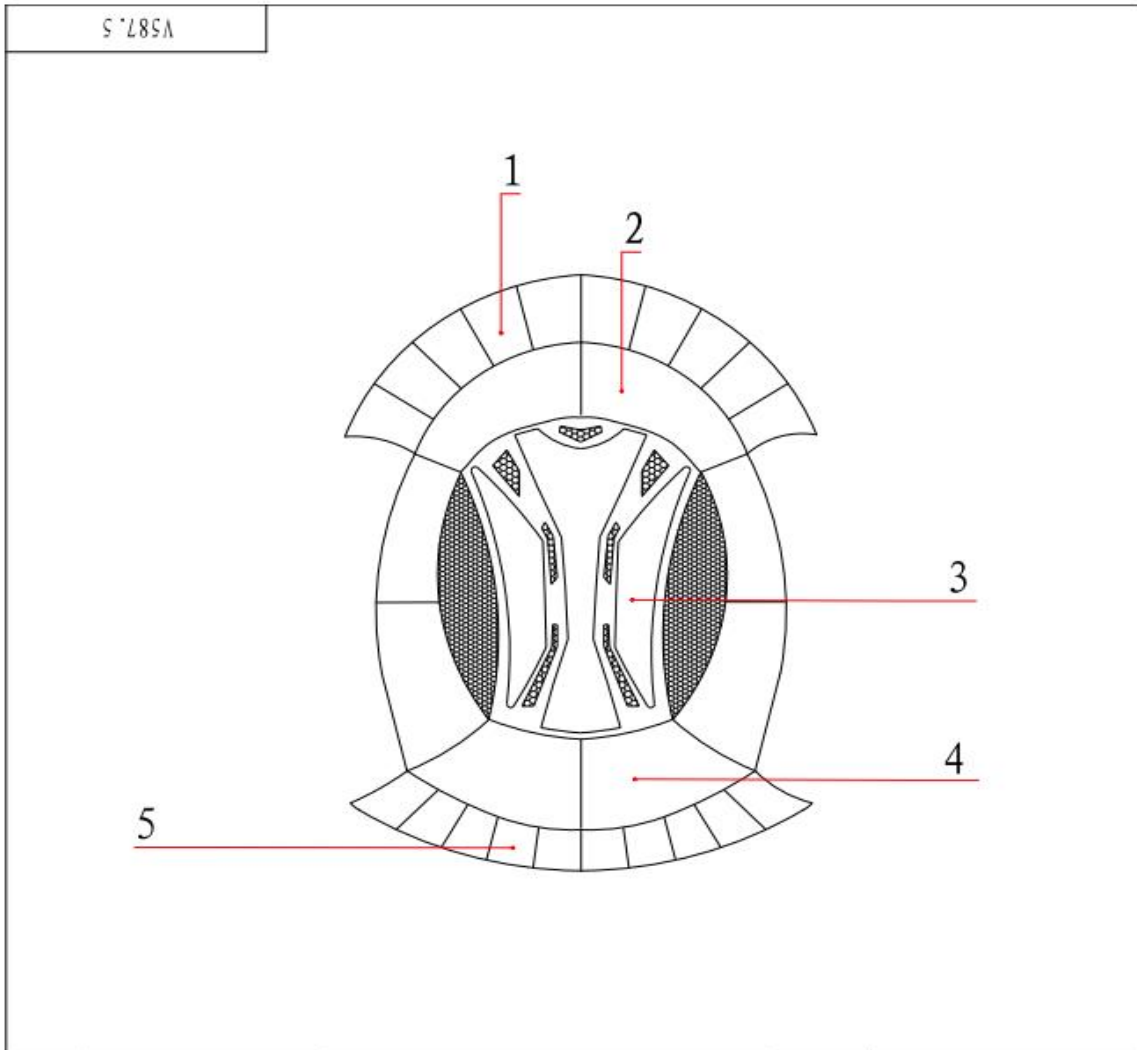


Type : V587  
 Manufacture : SHANGHAI HEHUI SAFETY PRODUCTS  
 MANUFACTURE CO., LTD.

Date:20.03.2016

Page 13 of 17

Annex 4: Drawing of the comfort padding



5	V587. 5. 5	Back cover	1	
4	V587. 5. 4	Back part	1	
3	V587. 5. 3	Crown	1	
2	V587. 5. 2	Front part	1	
1	V587. 5. 1	Front piping	1	
No.	Code	Name	Amount	Notes
				Shanghai Hehui Safety Product Manufacturer, Co. Ltd.
				Comfort padding
				V587. 5
Designer	朱学刚	Standard	温兴建	Drawing Mark
Drawing	温兴建	Audit	朱学刚	Weight
Audit	朱学刚	Approval	朱学刚	Scale
Technican	朱勇	Date	2016. 03. 20	S   A   B
				Total Page
				Page

INFORMATION DOCUMENT

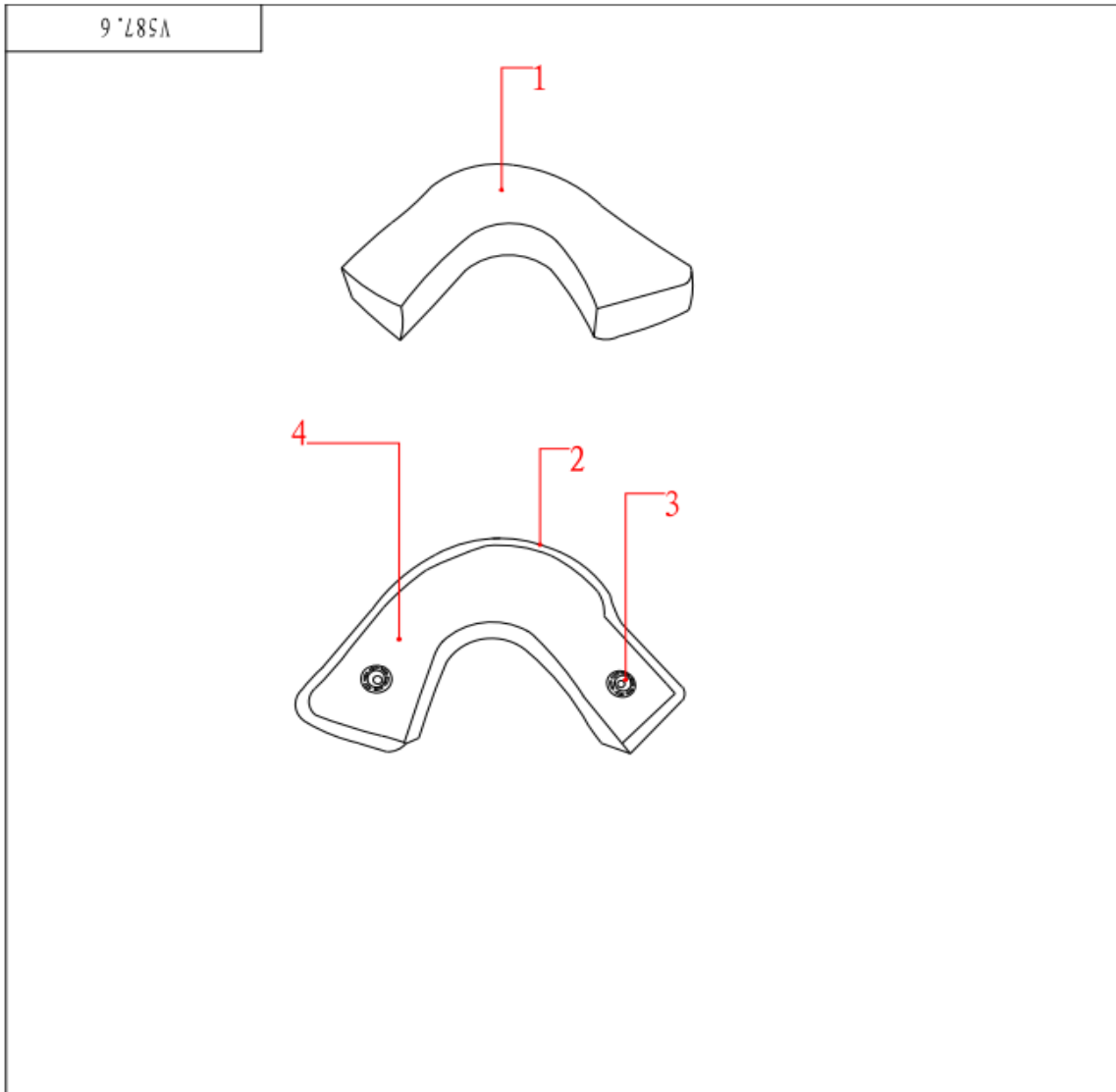
R22-V587-00



Type : V587  
 Manufacture : SHANGHAI HEHUI SAFETY PRODUCTS  
 MANUFACTURE CO., LTD.

Date:20.03.2016

Page 14 of 17



4	V587.6-4	PP sheet of the upper earmuffs	1	
3	V587.6-3	Snap button	1	
2	V587.6-2	Piping fabric	1	
1	V587.6-1	Upper earmuffs surface	1	

No.	Code	Name	Amount	Notes
				Shanghai Hehui Safety Product Manufacturer, Co. Ltd.
				Upper earmuffs
				V587.6

Zone	REV	DESC	APPROVAL	DATE			
Designer	朱学刚	Standard	温兴建		Drawing Mark	Weight	Scale
Drawing	温兴建	Audit	朱学刚		S   A   B		
Audit	朱学刚	Approval	朱学刚		Total Page	Page	
Technician	朱勇	Date	2016.03.20				

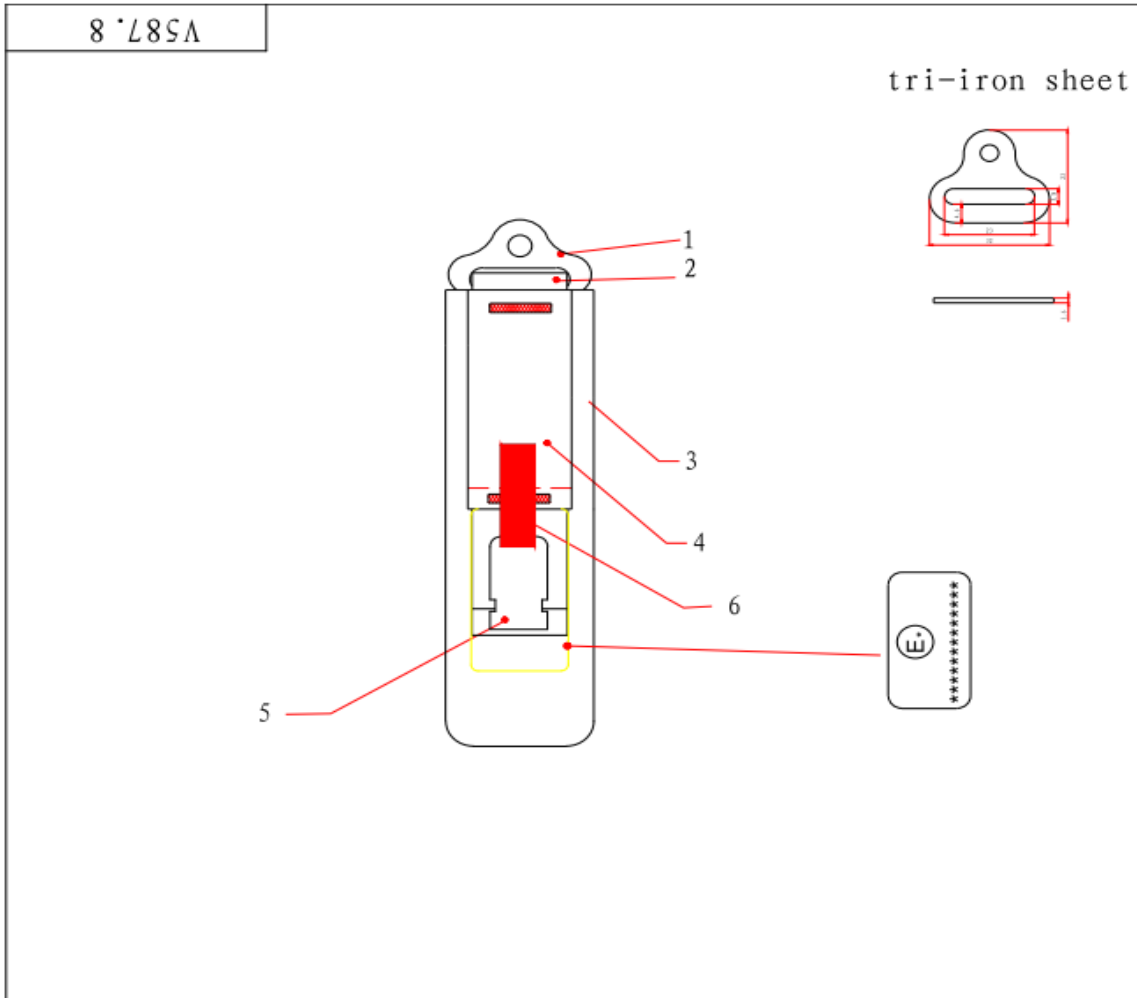


Type : V587  
 Manufacture : SHANGHAI HEHUI SAFETY PRODUCTS  
 MANUFACTURE CO., LTD.

Date:20.03.2016

Page 15 of 17

Annex 5: Drawing of the retention system



6	V587.8-6	small-strap	1	L*H: 40mm*10mm
5	V587.8-5	Quick release buckle (female)	1	
4	V587.8-4	wearing strap	1	
3	V587.8-3	piping cloth	1	
2	V587.8-2	short-strap	1	
1	V587.8-1	tri-iron sheet	1	
NO.	Code	Name	Amount	Note
				Shanghai Hehui Safety Products Manufacture Co., Ltd.
				Chin strap(left)
				V587.8
ZONE	REV	DESC	APPROVAL	DATE
Designer	朱学刚	Standard	温兴建	
Drafter	温兴建	Approval	朱学刚	
Examine	朱学刚	Permit	朱学刚	
Technician	朱勇	Date	2016.03.20	
		Drawing Mark	Weight	Scale
		S A B		
		Total Pages	Page	

INFORMATION DOCUMENT

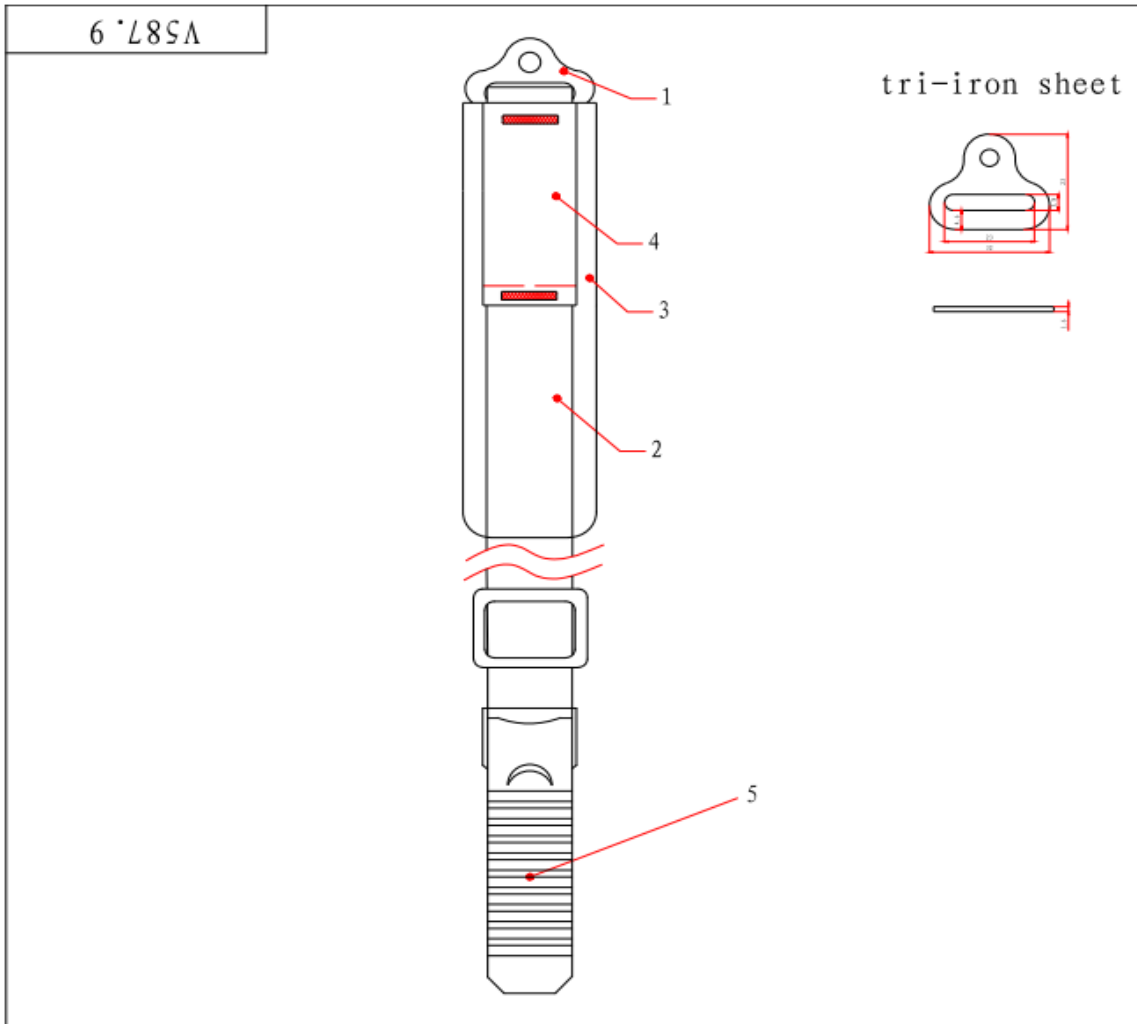
R22-V587-00



Type : V587  
 Manufacture : SHANGHAI HEHUI SAFETY PRODUCTS  
 MANUFACTURE CO., LTD.

Date:20.03.2016

Page 16 of 17



5	V587.9-5	Quick release buckle (male)	1	
4	V587.9-4	wearing strap	1	
3	V587.9-3	piping cloth	1	
2	V587.9-2	long-strap	1	
1	V587.9-1	tri-iron sheet	1	

NO.	Code	Name	Amount	Note
				Shanghai Hehui Safety Products Manufacture Co., Ltd.
				Chin strap(right)
				V587.9

ZONE	REV	DESC	APPROVAL	DATE	Drawing Mark	Weight	Scale
					S A B		
Designer	朱学刚	Standard	温兴建		Total Pages	Page	
Drafter	温兴建	Approval	朱学刚				
Examine	朱学刚	Permit	朱学刚				
Technician	朱勇	Date	2016.03.20				



Type : V587  
Manufacture : SHANGHAI HEHUI SAFETY PRODUCTS  
MANUFACTURE CO., LTD.

Date:20.03.2016

Page 17 of 17

---

**Annex 6: Information for wearer**

# WARNING

**No helmet can protect the user from all possible and foreseeable impacts.**

- 1. For adequate protection, this helmet must fit closely and be securely attached. Any helmet that has sustained a violent impact should be replaced.**
- 2. Visors (if fitted) with the marking indicating "daytime use only" are not suitable for use during the hours of darkness or in conditions of poor visibility. The fastening of visor is such that it will not be possible to remove it instantly from the line of sight with one hand should an emergency (such as headlamp glare or misting) occur.**
- 3. To maintain the full efficiency of the helmet, any modification to the structure of the helmet or its parts is not allowed.**
- 4. Do not apply paint, stickers, petrol or other solvents to this helmet. Hydrocarbons, cleaning fluids, paints, transfers or other extraneous additions will affect the shell material adversely.**

**Shell is made by hand layup composite material and cured with pressure bag molding. Lining is made of expanded polystyrene.**

**Important: read helmet user's guide for additional information prior to using your new helmet.**