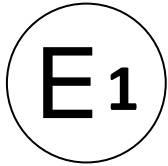




# Kraftfahrt-Bundesamt

DE-24932 Flensburg



## MITTEILUNG

ausgestellt von:

**Kraftfahrt-Bundesamt**

über die Erteilung einer Genehmigung für einen Schutzhelmtyp mit einem Visiertyp(en) nach der Regelung Nr. 22 einschließlich Änderung Nr. 06 Ergänzung 02

## COMMUNICATION

issued by:

**Kraftfahrt-Bundesamt**

concerning the granting of an approval of a type of protective helmet with one visor type(s) pursuant to Regulation No. 22 including amendment No. 06 supplement 02

Genehmigungsnummer: **E1\*22R06/02\*300953\*00**

Approval number:

1. Fabrik- oder Handelsmarke:  
Trade name or mark:  
**SIMPSON**
2. Typ:  
Type:  
**DARKSOME**
3. Größen:  
Sizes:  
**XS 53-54, S 55-56, M 57-58, L 59-60, XL 61-62, XXL 63-64**
4. Name des Herstellers:  
Manufacturer's name:  
**Foshan City Nanhai Yongheng Helmet Manufacturing Co. Ltd.  
CN-Jiujiang Town, Nanhai, Foshan City**
5. Anschrift:  
Address:  
**Siehe Punkt 4.  
See item 4.**
6. Name des Vertreters des Herstellers (gegebenenfalls):  
Name of manufacturer's representative (if any):  
**Entfällt  
Not applicable**



# Kraftfahrt-Bundesamt

DE-24932 Flensburg

---

2

Genehmigungsnummer: **E1\*22R06/02\*300953\*00**

Approval Number:

7.      Anschrift:  
          Address:  
          **Siehe Punkt 6.**  
          **See item 6.**
  
8.      Kurze Beschreibung des Helms:  
          Brief description of helmet:  
          **Siehe Anlagen**  
          **See enclosures**
  
9.      **Helm mit abnehmbarer unterer Gesichtsabdeckung (P/J)**  
          **Helmet with removable lower face cover (P/J)**
  
10.     Visiertyp oder Visiertypen:  
          Type of visor or visors:  
          **V-VENOM**  
          **E11 22R 060783**
  
11.     Kurze Beschreibung des Visiers oder der Visiere:  
          Brief description of visor(s):  
          **Siehe Anlagen**  
          **See enclosures**
  
12.     Helm betriebsbereit für spezifisches Zubehör (SA)/ betriebsbereit für universelles  
          Zubehör (UA)  
          Helmet ready for specific accessory (SA)/ready for universal accessories (UA)  
          **Entfällt**  
          **Not applicable**
  
13.     In der Helmhomologation enthaltenes Zubehör und Funktionalität:  
          Accessories included in the helmet homologation and functionality:  
          **Entfällt**  
          **Not applicable**
  
14.     Wenn UA-Helm:  
          If UA helmet:  
          **Entfällt**  
          **Not applicable**
  
15.     Zur Genehmigung vorgelegt am:  
          Submitted for approval on:  
          **20.02.2023**



# Kraftfahrt-Bundesamt

DE-24932 Flensburg

3

Genehmigungsnummer: **E1\*22R06/02\*300953\*00**

Approval Number:

16. Technischer Dienst, der die Prüfungen für die Genehmigungen durchführt:  
Technical service responsible for conducting approval tests:  
**Technischer Dienst der TÜV Rheinland Kraftfahrt GmbH**  
**DE-51105 Köln**
17. Datum des Gutachtens des Technischen Dienstes:  
Date of report issued by that service:  
**30.01.2023**
18. Nummer des Gutachtens des Technischen Dienstes:  
Number of report issued by that service:  
**85-R22-143/23-00**
19. Bemerkung(en):  
Remark(s):  
**Handelsbezeichnung(en):**  
**General commercial description(s):**  
**P6, MOD BANDIT**
20. Die Genehmigung wird **erteilt**  
Approval is **granted**
21. Ort: **DE-24932 Flensburg**  
Place:
22. Datum: **09.03.2023**  
Date:
23. Unterschrift: **Im Auftrag**  
Signature:

  
(D. Stieglitz)





# Kraftfahrt-Bundesamt

DE-24932 Flensburg

---

4

Genehmigungsnummer: **E1\*22R06/02\*300953\*00**

Approval Number:

24. Folgende mit der oben erwähnten Genehmigungsnummer versehene Dokumente sind auf Anforderung erhältlich:  
The following documents, bearing the approval number shown above, are available on request:

**Anlagen:**

**Enclosures:**

**Gemäß Inhaltsverzeichnis**

**According to index**



# Kraftfahrt-Bundesamt

DE-24932 Flensburg

---

Zu: E1\*22R06/02\*300953\*00

To:

**Erklärung über die Einhaltung der Anforderungen hinsichtlich der Übereinstimmung der Produktion gemäß dem Übereinkommen von 1958**  
**Statement of compliance with the conformity of the production requirements of the 1958 Agreement**

1. Name des Herstellers:  
Manufacturer's name:  
**Foshan City Nanhai Yongheng Helmet Manufacturing Co. Ltd.**  
**CN-Jiujiang Town, Nanhai, Foshan City**
2. Datum der Anfangsbewertung:  
Date of the initial assessment:  
**26.01.2010**
3. Datum aller durchgeführten Überwachungstätigkeiten:  
Date of any surveillance activities:

Aktenzeichen Register number	Datum der Begehung Date of inspection	Genehmigungsnummer Approval number
CoP-Q: <b>Q-500614</b>	<b>22.11.2016</b>	
CoP-P: <b>P-501929</b>	<b>10.10.2018</b>	<b>05300567, Erweiterung 01</b>
<b>P-504002</b>	<b>19.05.2022</b>	<b>E1*22R05/03*300797*01</b>



# Kraftfahrt-Bundesamt

DE-24932 Flensburg

---

Zu: **E1\*22R06/02\*300953\*00**

To:

## Inhaltsverzeichnis zu den Beschreibungsunterlagen Index to the information package

Ausgabedatum: **09.03.2023**

Date of issue:

Letztes Änderungsdatum: --

Last date of amendment:

Nebenbestimmungen und Rechtsbehelfsbelehrung  
Collateral clauses and instruction on right to appeal

Prüfbericht(e) Nr.:

Test report(s) No.:

**85-R22-143/23-00**

Datum:

Date:

**30.01.2023**

Beschreibungsbogen Nr.:

Information document No.:

**YOHE-DARKSOME-00**

Datum:

Date:

**17.10.2022**

Liste der Änderungen:

List of modifications:

**Entfällt**

**Not applicable**

Datum:

Date:



# Kraftfahrt-Bundesamt

DE-24932 Flensburg

---

Nummer der Genehmigung: **E1\*22R06/02\*300953\*00**

- Anlage -

## Nebenbestimmungen und Rechtsbehelfsbelehrung

### Nebenbestimmungen

Jede Einrichtung, die dem genehmigten Typ entspricht, ist gemäß der angewendeten Vorschrift zu kennzeichnen.

Die Einzelerzeugnisse der reihenweisen Fertigung müssen mit den Genehmigungsunterlagen genau übereinstimmen. Änderungen an den Einzelerzeugnissen sind nur mit ausdrücklicher Zustimmung des Kraftfahrt-Bundesamtes gestattet.

Änderungen der Firmenbezeichnung, der Anschrift und der Fertigungsstätten sowie eines bei der Erteilung der Genehmigung benannten Zustellungsbevollmächtigten oder bevollmächtigten Vertreters sind dem Kraftfahrt-Bundesamt unverzüglich mitzuteilen.

Verstöße gegen diese Bestimmungen können zum Widerruf der Genehmigung führen und können überdies strafrechtlich verfolgt werden.

Die Genehmigung erlischt, wenn sie zurückgegeben oder entzogen wird, oder der genehmigte Typ den Rechtsvorschriften nicht mehr entspricht. Der Widerruf kann ausgesprochen werden, wenn die für die Erteilung und den Bestand der Genehmigung geforderten Voraussetzungen nicht mehr bestehen, wenn der Genehmigungsinhaber gegen die mit der Genehmigung verbundenen Pflichten - auch soweit sie sich aus den zu dieser Genehmigung zugeordneten besonderen Auflagen ergeben - verstößt oder wenn sich herausstellt, dass der genehmigte Typ den Erfordernissen der Verkehrssicherheit oder des Umweltschutzes nicht entspricht.

Das Kraftfahrt-Bundesamt kann jederzeit die ordnungsgemäße Ausübung der durch diese Genehmigung verliehenen Befugnisse, insbesondere die genehmigungsgerechte Fertigung sowie die Maßnahmen zur Übereinstimmung der Produktion, nachprüfen. Es kann zu diesem Zweck Proben entnehmen oder entnehmen lassen. Dem Kraftfahrt-Bundesamt und/oder seinen Beauftragten ist ungehinderter Zutritt zu Produktions- und Lagerstätten zu gewähren.

Die mit der Erteilung der Genehmigung verliehenen Befugnisse sind nicht übertragbar. Schutzrechte Dritter werden durch diese Genehmigung nicht berührt.

### Rechtsbehelfsbelehrung

Gegen diese Genehmigung kann innerhalb eines Monats nach Bekanntgabe Widerspruch erhoben werden. Der Widerspruch ist beim **Kraftfahrt-Bundesamt, Fördestraße 16, DE-24944 Flensburg**, schriftlich oder zur Niederschrift einzulegen.



# Kraftfahrt-Bundesamt

DE-24932 Flensburg

---

2

Approval No.: **E1\*22R06/02\*300953\*00**

- Attachment -

## **Collateral clauses and instruction on right to appeal**

### **Collateral clauses**

All equipment which corresponds to the approved type is to be identified according to the applied regulation.

The individual production of serial fabrication must be in exact accordance with the approval documents. Changes in the individual production are only allowed with express consent of the Kraftfahrt-Bundesamt.

Changes in the name of the company, the address and the manufacturing plant as well as one of the parties given the authority to delivery or authorised representative named when the approval was granted is to be immediately disclosed to the Kraftfahrt-Bundesamt.

Breach of this regulation can lead to recall of the approval and moreover can be legally prosecuted.

The approval expires if it is returned or withdrawn or if the type approved no longer complies with the legal requirements. The revocation can be made if the demanded requirements for issuance and the continuance of the approval no longer exist, if the holder of the approval violates the duties involved in the approval, also to the extent that they result from the assigned conditions to this approval, or if it is determined that the approved type does not comply with the requirements of traffic safety or environmental protection.

The Kraftfahrt-Bundesamt may check the proper exercise of the conferred authority taken from this approval at any time. In particular this means the compliant production as well as the measures for conformity of production. For this purpose samples can be taken or have taken. The employees or the representatives of the Kraftfahrt-Bundesamt may get unhindered access to the production and storage facilities.

The conferred authority contained with issuance of this approval is not transferable. Trade mark rights of third parties are not affected with this approval.

### **Instruction on right to appeal**

This approval can be appealed within one month after notification. The appeal is to be filed in writing or as a transcript at the **Kraftfahrt-Bundesamt, Fördestraße 16, DE-24944 Flensburg.**



Test Report No. 85-R22-143/23-00

**Type** : DARKSOME  
**Manufacturer** : FOSHAN CITY NANHAI YONGHENG  
HELMET MANUFACTURING CO., LTD.

---

**TEST REPORT**

according to

**UN-R 22**

Uniform provisions concerning the approval of protective helmets and their visors for drivers and passengers of motor cycles and mopeds

as last amended by

06 series of amendments, Suppl. 1

**For the Type Approval of:**

- Helmet + Visor
- Helmet
- Visor

---

**Approval Status**

UN-approval : E1\*22R06/01\*300953\*00 (resevered)

**Structure of the Test Report**

Item no.

0. General information
1. Tested vehicle(s)/object(s)
2. Test record
3. Appendices
4. Statement of conformity

The Test Report shall be reproduced and published only in its entirety by the client. It may however be reproduced and published partially, but only with the written permission of the Technical Service.

**Type** : DARKSOME

**Manufacturer** : FOSHAN CITY NANHAI YONGHENG  
HELMET MANUFACTURING CO., LTD.

**0. General information**

- 0.1. Make (trade name of the manufacturer) : SIMPSON
- 0.2. Type : DARKSOME
- Commercial description(s) : P6, MOD BANDIT
- Version(s) : ---
- 0.3. Helmet category : see appendix L, item 9
- 0.4. Name and address of the manufacturer : FOSHAN CITY NANHAI YONGHENG HELMET  
MANUFACTURING CO., LTD.  
Yannan Industrial Area, Longgao Road, Jiujiang Town,  
Nanhai, Foshan City, Guangdong, China
- 0.5. No. of the information document : YOHE-DARKSOME-00
- Date of issue : October 17, 2022
- Date of last change : ---

**1. Tested vehicle(s) / object(s)**

## 1.1. Description

- 1.1.1. Object : see appendix L, item 8
- Trade name : see appendix L, item 1
- Type(s) /variant(s) / version(s) : see appendix L, item 2
- Identification number : without

- 1.1.2. Condition of vehicle(s)/object(s) : new, ~~used, pretested~~

- 1.2. Worst case configuration : No worst case assessment required (only one  
variant/version or no variants/versions)

~~There is no worst case selection applicable because all  
versions mentioned in the information folder are tested.~~

- 1.3. Remarks : without

**Type** : DARKSOME  
**Manufacturer** : FOSHAN CITY NANHAI YONGHENG  
 HELMET MANUFACTURING CO., LTD.

2. **Test record**

2.1. Equipment for measuring and testing : The test and measurement equipment used were in compliance with the test requirements.

2.1.1. Specifications for the test site : not applicable

2.1.2. Subcontracting : not applicable

2.2. **Test results**

Remarks concerning extension : not applicable

~~The helmet type has been tested according to the modification(s) mentioned in appendix 0.~~

~~The new parts meet the requirements of the regulation.~~

~~An actual practical test of the helmet was not necessary. The results of the previous test(s) are still valid.~~

Test results referring to measurements : passed

Test results of not measurable attributes : not applicable

Alternative test methods : not applicable

2.3. Additional information : The results of the test refer exclusively to the object(s) mentioned under point 1. of this report.

Test site(s) : TÜV Rheinland (Guangdong) Ltd.  
 Guangzhou Helmet Laboratory  
 No.767 Tianyuan Road, Tianhe District,  
 Guangzhou 510650, P.R. China

TÜV Rheinland Kraftfahrt GmbH  
 Technology Center Traffic Safety  
 Am Grauen Stein  
 51105 Cologne, Germany

Test date : October 18, 2022 - January 20, 2023

2.4. Remarks : without

R22 E1\*22R06/02\*300953\*00

Type : DARKSOME  
Manufacturer : FOSHAN CITY NANHAI YONGHENG  
HELMET MANUFACTURING CO., LTD.

---

### 3. Appendices

Appendix 0 : List of modifications  
Appendix L : Technical description of type and Communication concerning the UN-approval  
Appendix 1 : Test minutes  
Information document : YOHE-DARKSOME-00 (25 pages)

### 4. Statement of conformity

The Information Document listed in section 0.5., and the type described therein, comply with the requirements stated on page 1. The test results in this report refer to the ~~vehicle(s)~~/object(s) described under section 1.1. With regards to the required level of performance to be achieved, the tested samples were representative for the type to be approved (see section 1.2).

The tests were carried out in accordance with the relevant requirements of EN ISO/IEC 17025:2017.

Engineering Centre Shanghai, January 30, 2023

KWU / CGC



Kevin Wu

Technical Expert Technical Service

Type : DARKSOME

Manufacturer : FOSHAN CITY NANHAI YONGHENG  
HELMET MANUFACTURING CO., LTD.

---

List of modifications

Appendix 0

Correction of : -  
Modification of : -  
Addition of : -  
Deletion of : -

R22 E1\*22R06/02\*300953\*00

**Type** : DARKSOME

**Manufacturer** : FOSHAN CITY NANHAI YONGHENG  
HELMET MANUFACTURING CO., LTD.

**Communication concerning the type approval**

Appendix L

1	Trade mark	:	SIMPSON
2	Type	:	DARKSOME
	Commercial description(s)	:	P6, MOD BANDIT
	Versions(s)	:	---
3	Sizes	:	XS 53-54, S 55-56, M 57-58, L 59-60, XL 61-62, XXL 63-64
4	Manufacturer's name	:	FOSHAN CITY NANHAI YONGHENG HELMET MANUFACTURING CO., LTD.
5	Address of manufacturer		Yannan Industrial Area, Longgao Road, Jiujiang Town, Nanhai, Foshan City, Guangdong, China
6	If applicable, name of manufacturer's representative	:	not applicable
7	Address of manufacturer's representative	:	not applicable
8	Brief description of helmet	:	<p>The integral-faced helmet DARKSOME is composed of composite shell.</p> <p>The protective padding is made of one EPS (Expanded Poly Styrene) size liner, one EPS crown liner in the top area, two EPS side liners and one EPS chin liner.</p> <p>The adoption to the different head sizes is done by different thickness of the size liner, and different thickness of the comfort padding.</p> <p>The helmet is fitted with 1 visor with separate approval and with 1 sun shield.</p> <p>The sun shield of P2S is tinted, made of Polycarbonate (PC), and a thickness of 2.0 mm.</p>
9	Helmet category	:	with detachable or movable lower face cover (P/J)
10	Type of visor or visors	:	V-VENOM
11	Brief description of visor or visors	:	<p>V-VENOM: Clear visors, made of Polycarbonate (PC) with hardened coating on the surface, and a thickness of 2.0 mm.</p> <p>Refer to the type approval: E11*22R06/01*0783*01</p>
12	Submitted for approval on	:	October 18, 2022 - January 20, 2023
13	Technical service responsible for conducting approval tests	:	<p>TÜV Rheinland Kraftfahrt GmbH          Typprüfstelle Fahrzeuge/Fahrzeugteile          Am Grauen Stein          51105 Köln</p>
14	Date of report issued by that service	:	January 30, 2023
15	Number of report issued by that service	:	85-R22-143/23-00

R22 E1\*22R06/02\*300953\*00

**Type** : **DARKSOME**

**Manufacturer** : **FOSHAN CITY NANHAI YONGHENG  
HELMET MANUFACTURING CO., LTD.**

---

16 Comments : not applicable

17 Approval : ~~Granted / extended / refused / withdrawn~~

R22 E1\*22R06/02\*300953\*00

**Type** : DARKSOME  
**Manufacturer** : FOSHAN CITY NANHAI YONGHENG  
 HELMET MANUFACTURING CO., LTD.

Test minutes

Appendix 1

**General Requirements for Helmets**

- |     |  |   |  |
|-----|--|---|--|
| 1   | Basic construction<br>(6.1)              | : | The helmet consists of a shell, protective padding, comfort padding and a retention system.  |
| 2   | Additional construction<br>(6.2/ 6.2.1)  | : | refer Appendix L, item 8   |
| 3   | Lower face cover<br>(6.2.2.)             | : | refer Appendix L, item 9   |
| 4   | Protection areas<br>(6.4)                | : | The shell and padding of the helmets of each size cover the required areas.  |
| 5   | Hearing ability and temperature<br>(6.5) | : | The wearer's ability to hear is not dangerously affected by the helmet.<br><br>The helmet has ventilation holes in the shell to prevent overheating.   |
| 6   | Outer projections<br>(6.6 / 6.7)         | : | All external projections are rounded and smooth.<br>All external projections $\leq 2$ mm have a radius $\geq 1$ mm.<br><br>There are projections of the outer shell, greater than 2mm.<br>All external projections $> 2$ mm have a radius $\geq 2$ mm.<br>The shear assessment was successful. |
| 7   | Inner projections<br>(6.8)               | : | No inward facing sharp edges. All internal parts are covered with padding.   |
| 8   | Helmet components<br>(6.9)               | : | The components of the helmet are assembled in a way that they do not become easily detached as a result of impact.   |
| 9   | Retention system                         |   |  |
| 9.1 | Abrasion protection<br>(6.10)            | : | The wearer is protected from abrasion by the retention system.   |

R22 E1\*22R06/02\*300953\*00



**Type** : **DARKSOME**  
**Manufacturer** : **FOSHAN CITY NANHAI YONGHENG  
 HELMET MANUFACTURING CO., LTD.**

- 9.2 General (6.11) : The retention system fully complies with the requirements of the regulation:
- Retention System is permanently attached
  - Chin strap is adjustable and maintains tension
  - Strap has a width of minimum 20 mm
  - No chin-cup
  - No rigid parts 130 mm below head form reference plane
  - Total opening of retention system only with voluntary action
  - Detailed instructions for use of the buckle
  - If sliding bar or double D ring: red pulling flap with minimum dimensions of 10x20 mm is provided
  - Buckle cannot be left in partially closed position
- 9.3 Chin strap (6.11.1 / 7.12.1.1) : Under a load of 150 N the width of the chin strap is > 20 mm.  
 The chin strap is covered with an additional comfort padding.  
 It is not possible to open the quick-release mechanism with a ball of diameter 100 mm.
- 10 Detachable/movable face cover (6.12) : The lower face cover complies with the requirements of the regulation:
- Device maintains intended position during tests
  - Incorrect handling is impossible
  - Control / actuating device is red
- Helmet complies with requirements of category "J" and "P"
- 11 Materials (6.13) : The materials used for the helmet comply with the regulation.
- 12 Breakage and deformation (6.14) : The helmet does not show breakage or deformation dangerous to the wearer after testing.
- 13 Peripheral vision (6.15) : Complies with the requirements of the regulation, refer test results.
- 14 Sun shield
- 14.1 General (6.17.1) : The sun shield does not affect the visor in any way.  
 The sun shield is controlled separately from the visor.

R22 E1\*22R06/02\*300953\*00

**Type** : **DARKSOME**

**Manufacturer** : **FOSHAN CITY NANHAI YONGHENG  
HELMET MANUFACTURING CO., LTD.**

---

- 14.2 Field of Vision (6.17.2) : Complies with the requirements of the regulation, see also test results:
- Field of Vision
  - Luminous transmittance
  - No defects impairing vision
  - No noticeable distortion
  - Spectral transmittance
  - Reflective power values
- 15 Conspicuity marking (6.18) : The helmet is not equipped with retroreflective parts.
- 16 Information (14) : Manufacturer-information about size and weight are located on the outer shell by adhesive label(s). Additional consumer information in accordance with the UN-R 22 is given by the owner's manual. It has to always be enclosed to the offered helmet.

R22 E1\*22R06/02\*300953\*00

**Type** : DARKSOME

**Manufacturer** : FOSHAN CITY NANHAI YONGHENG  
 HELMET MANUFACTURING CO., LTD.

6.15. Peripheral vision

P configuration:

Helmet Size	Test head	horizontal angle [°] (min. 210°)	upwards angle [°] (min. 7°)	downwards angle [°] (min. 45°)
S 55-56	555	214	7	46
XL 61-62	625	214	7	46

J configuration:

Helmet Size	Test head	horizontal angle [°] (min. 210°)	upwards angle [°] (min. 7°)	downwards angle [°] (min. 45°)
M 57-58	575	210°	7°	>45°

R22 E1\*22R06/02\*300953\*00

**Type** : DARKSOME  
**Manufacturer** : FOSHAN CITY NANHAI YONGHENG  
 HELMET MANUFACTURING CO., LTD.

7.3. Impact-absorption-tests

All values are within the limits of the regulation, 275 g respectively 2400 HIC.

P configuration:

helmet size : XS 53-54  
 test-head-size : 535  
 anvil : Flat (Helm. 1), Kerbstone (Helm. 2)

Conditioning	Impact point	Res. acceleration [g]	HIC [-]
Helmet 1 Low Temp. (-10°C)	B	184	1216
	X	213	1693
	P	160	1587
	R	188	1536
	S	96	345
Helmet 2 High Temp. (+50°C)	B	141	963
	X	180	1238
	P	133	889
	R	148	1033
	S	---	---

helmet size : S 55-56  
 test-head-size : 535  
 anvil : Flat (Helm. 3), Kerbstone (Helm. 4), Kerbstone (Helm. 5)

Conditioning	Impact point	Res. acceleration [g]	HIC [-]
Helmet 3 Ambient	B	186	1284
	X	206	1544
	P	195	1884
	R	179	1386
	S	---	---
Helmet 4 Ambient	B	159	1242
	X	197	1593
	P	144	1081
	R	213	1346
	S	---	---
Helmet 5 Artificial ageing	B	183	1203
	X	201	1653
	P	186	1725
	R	184	1568
	S	---	---

Type : DARKSOME

Manufacturer : FOSHAN CITY NANHAI YONGHENG  
HELMET MANUFACTURING CO., LTD.

helmet size : M 57-58  
test-head-size : 575  
anvil : Flat (Helm. 6), Kerbstone (Helm. 7)

Conditioning	Impact point	Res. acceleration [g]	HIC [-]
Helmet 6 Low Temp. (-10°C)	B	211	1758
	X	237	1976
	P	199	1841
	R	187	1512
	S	104	319
Helmet 7 High Temp. (+50°C)	B	179	1475
	X	186	1315
	P	179	1169
	R	154	1236
	S	---	---

helmet size : L 59-60  
test-head-size : 605  
anvil : Flat (Helm. 8), Kerbstone (Helm. 9)

Conditioning	Impact point	Res. acceleration [g]	HIC [-]
Helmet 8 Low Temp. (-10°C)	B	227	1605
	X	213	1749
	P	186	1437
	R	189	1464
	S	203	700
Helmet 9 High Temp. (+50°C)	B	170	1242
	X	174	1194
	P	185	1272
	R	144	993
	S	---	---

R22 E1\*22R06/02\*300953\*00

Type : DARKSOME

Manufacturer : FOSHAN CITY NANHAI YONGHENG  
HELMET MANUFACTURING CO., LTD.

helmet size : XXL 63-64  
test-head-size : 625  
anvil : Flat (Helm. 10), Kerbstone (Helm. 11)

Conditioning	Impact point	Res. acceleration [g]	HIC [-]
Helmet 10 Low Temp. (-10°C)	B	199	1340
	X	210	1597
	P	184	1318
	R	185	1512
	S	218	833
Helmet 11 High Temp. (+50°C)	B	170	1268
	X	176	1207
	P	180	1179
	R	134	920
	S	---	---

helmet size : XXL 63-64  
test-head-size : 625  
anvil : Flat (Helm. 12), Kerbstone (Helm. 13), Flat (Helm. 14)

Conditioning	Impact point	Res. acceleration [g]	HIC [-]
Helmet 12 Ambient	B	191	1374
	X	210	1750
	P	168	1256
	R	189	1462
	S	---	---
Helmet 13 Ambient	B	167	1273
	X	167	1140
	P	174	1071
	R	136	1020
	S	---	---
Helmet 14 Artificial ageing	B	194	1308
	X	205	1549
	P	173	1229
	R	179	1339
	S	---	---

R22 E1\*22R06/02\*300953\*00

**Type** : DARKSOME

**Manufacturer** : FOSHAN CITY NANHAI YONGHENG  
HELMET MANUFACTURING CO., LTD.

J configuration:

helmet size : M 57-58  
 test-head-size : 575  
 anvil : Flat (Helm. 15), Kerbstone (Helm. 16)

Conditioning	Impact point	Res. acceleration [g]	HIC [-]
Helmet 15 Low Temp. (-10°C)	B	101	533
	X	248	1986
	P	199	1988
	R	168	1182
	S	---	---
Helmet 16 High Temp. (+50°C)	B	88	411
	X	180	1198
	P	162	952
	R	144	1001
	S	---	---

helmet size : XXL 63-64  
 test-head-size : 625  
 anvil : Flat (Helm. 17), Kerbstone (Helm. 18)

Conditioning	Impact point	Res. acceleration [g]	HIC [-]
Helmet 17 Low Temp. (-10°C)	B	118	612
	X	200	1451
	P	177	1412
	R	189	1548
	S	---	---
Helmet 18 High Temp. (+50°C)	B	106	488
	X	162	1030
	P	139	931
	R	194	1093
	S	---	---

Type : DARKSOME

Manufacturer : FOSHAN CITY NANHAI YONGHENG  
HELMET MANUFACTURING CO., LTD.

Low energy impact

All values are within the limits of the regulation, 180 g respectively 1300 HIC.

P configuration:

helmet size : S 55-56  
test-head-size : 535  
anvil : Flat (Helm. 19)

Conditioning	Impact point	Res. acceleration [g]	HIC [-]
Helmet 19 Ambient	B	145	817
	X	150	851
	P	137	956
	R	135	788
	S	---	---

helmet size : XXL 63-64  
test-head-size : 625  
anvil : Kerbstone (Helm. 20)

Conditioning	Impact point	Res. acceleration [g]	HIC [-]
Helmet 20 Ambient	B	128	640
	X	127	620
	P	119	475
	R	122	731
	S	---	---

J configuration:

helmet size : XXL 63-64  
test-head-size : 625  
anvil : Flat (Helm. 21)

Conditioning	Impact point	Res. acceleration [g]	HIC [-]
Helmet 21 Ambient	B	61	190
	X	146	799
	P	137	902
	R	146	871
	S	---	---

R22 E1\*22R06/02\*300953\*00



**Type** : DARKSOME

**Manufacturer** : FOSHAN CITY NANHAI YONGHENG  
 HELMET MANUFACTURING CO., LTD.

High energy impact

All values are within the limits of the regulation, 275 g respectively 2880 HIC.

P configuration:

helmet size : S 55-56  
 test-head-size : 535  
 anvil : Flat (Helm. 22)

Conditioning	Impact point	Res. acceleration [g]	HIC [-]
Helmet 22 Ambient	B	182	1476
	X	235	2060
	P	198	1895
	R	208	2030
	S	---	---

helmet size : XXL 63-64  
 test-head-size : 625  
 anvil : Flat (Helm. 23)

Conditioning	Impact point	Res. acceleration [g]	HIC [-]
Helmet 23 Ambient	B	230	2208
	X	250	2138
	P	196	1662
	R	244	2219
	S	---	---

J configuration:

helmet size : XXL 63-64  
 test-head-size : 625  
 anvil : Flat (Helm. 24)

Conditioning	Impact point	Res. acceleration [g]	HIC [-]
Helmet 24 Ambient	B	125	765
	X	224	1811
	P	201	1685
	R	223	2114
	S	---	---

**Type** : DARKSOME  
**Manufacturer** : FOSHAN CITY NANHAI YONGHENG  
 HELMET MANUFACTURING CO., LTD.

Extra point

All values are within the limits of the regulation, 275 g respectively 2400 HIC.

P configuration:

helmet size : S 55-56  
 test-head-size : 535  
 anvil : Flat (Helm. 25)

Conditioning	Impact point	Res. acceleration [g]	HIC [-]
Helmet 25 Ambient	BXR	186	1365
	RXPR	180	1503
	RXL	152	1217
	BXPL	167	1374

helmet size : XXL 63-64  
 test-head-size : 625  
 anvil : Kerbstone (Helm. 26)

Conditioning	Impact point	Res. acceleration [g]	HIC [-]
Helmet 26 Ambient	BXL	145	1072
	RXPL	124	850
	RXR	117	787
	BXPR	132	965

7.4.2 Test for projections and surface friction (method B).

All values are within the limits of the regulation.

Helmet size	M 57-58	
Test head size	575	
	Test with positive result at the following points of the outer shell:	
1.	Rear air vent sliding tangential at the projection	Positive
2.	Main outer shell area test for friction assessment	Positive

Type : DARKSOME

Manufacturer : FOSHAN CITY NANHAI YONGHENG  
HELMET MANUFACTURING CO., LTD.

7.4.3 Test for projections of the category P/J with movable lower face cover.  
(strength assessment of the movable face cover in the position "J")

Complies with the requirements of the regulation.

7.5 Rigidity test

All values are within the limits of the regulation.

P configuration:

Helmet Size	Direction	Deformation [mm] (max. 40 mm)	Permanent deformation [mm] (max. 15 mm)
S 55-56	longitudinal	14	4
	transversal	15	4
XXL 63-64	longitudinal	10	3
	transversal	12	3

J configuration:

Helmet Size	Direction	Deformation [mm] (max. 40 mm)	Permanent deformation [mm] (max. 15 mm)
XXL 63-64	longitudinal	11	4
	transversal	16	5

R22 E1\*22R06/02\*300953\*00

Type : DARKSOME

Manufacturer : FOSHAN CITY NANHAI YONGHENG  
HELMET MANUFACTURING CO., LTD.

7.6. Dynamic test of the retention system

All values are within the limits of the regulation.

P configuration:

Helmet Size	Headsizes	dyn.movement [mm] (max. 35 mm)	stat.movement [mm] (max.25 mm)	Remarks
XS 53-54	535	28.8	11.1	--
M 57-58	575	24.3	12.7	--

J configuration:

Helmet Size	Headsizes	dyn.movement [mm] (max. 35 mm)	stat.movement [mm] (max.25 mm)	Remarks
M 57-58	575	25.0	10.1	--

7.7.2. Retention (detaching) test  
[Weight hooked to the front border]

All values are within the limits of the regulation.

P configuration:

Helmet Size	Headsizes	angle of movement [°] (max. 30°)	Remarks
XS 53-54	535	29	Front to rear
M 57-58	575	21	Front to rear

J configuration:

Helmet Size	Headsizes	angle of movement [°] (max. 30°)	Remarks
M 57-58	575	30	Front to rear

**Type** : **DARKSOME**

**Manufacturer** : **FOSHAN CITY NANHAI YONGHENG  
HELMET MANUFACTURING CO., LTD.**

7.7.3./4. Retention (detaching) test

[Falling mass]

All values are within the limits of the regulation.

P configuration:

Helmet Size	Headsize	angle of movement [°] (max. 30°)	Remarks
XS 53-54	535	22	Rear to front
M 57-58	575	26	Rear to front

J configuration:

Helmet Size	Headsize	angle of movement [°] (max. 30°)	Remarks
M 57-58	575	16	Rear to front

7.8. Visor tests

Refer to visor type approval No.: E11\*22R06/01\*0783\*01

R22 E1\*22R06/02\*300953\*00

**Type** : DARKSOME  
**Manufacturer** : FOSHAN CITY NANHAI YONGHENG  
 HELMET MANUFACTURING CO., LTD.

7.9. Sun shield tests of P2S

All values are within the limits of the regulation.

Luminous transmittance [6.17.2.2.] / road traffic sign and signals [6.17.2.4.]

Luminous transmittance $\tau_v$ (D65) ( >0,8) (daytime : > 0,35; Sun shield: > 0,20)	$Q_{Red} \geq 0,8$	$Q_{Yellow} \geq 0,6$	$Q_{green} \geq 0,6$	$Q_{blue} \geq 0,6$
0.370	Pass	Pass	Pass	Pass
0.380	Pass	Pass	Pass	Pass
0.380	Pass	Pass	Pass	Pass

Spectral transmittance (  $\geq 0,2\tau_v$  ) [6.17.2.5]

0.305
0.309
0.310

Refractive powers

Spherical effect [m <sup>-1</sup> ]	Astigmatic effect [m <sup>-1</sup> ]	Prismatic Diff. Effect [cm/m]		
		horizontal base		vertical base
		outside	inside	
$\leq \pm 0.12$	$\leq 0.12$	$\leq 1.00$	$\leq 0.25$	$\leq 0.25$
0.02	0.02	0.15	--	0.03
0.01	0.03	0.15	--	0.04
0.01	0.02	0.15	--	0.04

**Type** : DARKSOME  
**Manufacturer** : FOSHAN CITY NANHAI YONGHENG  
 HELMET MANUFACTURING CO., LTD.

7.10 Microslip-test of the chin strap

All values are within the limits of the regulation.

Movement:	< 10.0 mm	Limit ≤ 10 mm
-----------	-----------	------------------

7.11 Test for resistance to abrasion of the chin strap

Complies with the requirements of the regulation.

7.12 Tests for retention systems relying on quick-release mechanisms

Not applicable.

7.13. Oblique impact test method of measuring rotational acceleration

All values are within the limits of the regulation, 10400 rad/s<sup>2</sup> respectively BrIC 0,78.

P configuration:

Headsize	Cond.	Anvil Shape	Point	Helmet Size	Rotation [rad/s <sup>2</sup> ]	BrIC	Remark
535	AMB	45°	FLR	S 55-56	2848	0.35	--
535	AMB	45°	Rear	S 55-56	2994	0.53	--
535	AMB	45°	LL	S 55-56	1989	0.30	--
535	AMB	45°	Front	S 55-56	3816	0.49	--
535	AMB	45°	RLR	S 55-56	3513	0.46	--
625	AMB	45°	FLR	XXL 63-64	1931	0.21	--
625	AMB	45°	Rear	XXL 63-64	3482	0.30	--
625	AMB	45°	LL	XXL 63-64	3342	0.36	--
625	AMB	45°	Front	XXL 63-64	2438	0.27	--
625	AMB	45°	RLR	XXL 63-64	2614	0.36	--

R22 E1\*22R06/02\*300953\*00

Type : DARKSOME

 Manufacturer : FOSHAN CITY NANHAI YONGHENG  
 HELMET MANUFACTURING CO., LTD.

J configuration:

Headsize	Cond.	Anvil Shape	Point	Helmet Size	Rotation [rad/s <sup>2</sup> ]	BrIC	Remark
625	AMB	45°	FLR	XXL 63-64	1637	0.22	--
625	AMB	45°	Rear	XXL 63-64	2096	0.23	--
625	AMB	45°	LL	XXL 63-64	2277	0.27	--
625	AMB	45°	Front	XXL 63-64	2121	0.09	--
625	AMB	45°	RLR	XXL 63-64	2676	0.38	--

R22 E1\*22R06/02\*300953\*00



**Content**

<b>DOCUMENT</b>	<b>PAGE</b>
Technical description	2-3
Assembly drawing	4
Material list of parts	5
Helmet section view	6-7
Impact absorption material thickness	8
Dimension and weight of helmet (tolerances incorporated)	9
EPS details	10-16
Retention system	17
Retention system, chin strap operation	18
Retention system, position details	19
Drawing and details of visor	20
Drawing and details of inner visor	21
Accessories	22
Approval marking(s)	23
Helmet assembly pictures	24-25

Type DARKSOME

Page 1 of 25

INFORMATION DOCUMENT FOR TYPE-APPROVAL OF PROTECTIVE HELMETS FOR  
DRIVERS AND PASSENGERS OF MOTOR CYCLES AND MOPEDS

1. Make (trade name or mark of the manufacturer) : SIMPSON
2. Type : DARKSOME
- Commercial description(s) : P6, MOD BANDIT
- Version(s) : /
3. Sizes : XS(53-54cm), S(55-56 cm), M(57-58 cm), L(59-60 cm), XL(61-62 cm), XXL(63-64 cm)
4. Name of the manufacturer : FOSHAN CITY NANHAI YONGHENG HELMET MANUFACTURING CO., LTD.
5. Address of the manufacturer : Yannan Industrial Area, Longgao Road, Jiujiang Town, Nanhai, Foshan City, Guangdong, China
6. Name of the manufacturer's representative : N/A
7. Address of the manufacturer's representative : N/A
8. Brief description of the helmet : The integral-faced helmet DARKSOME is composed of composite shell.  
and / or <sup>1</sup> Brief description of visor The protective padding is made of one EPS (Expanded Poly Styrene) size liner, one EPS crown liner in the top area, two EPS side liners and one EPS chin liner.  
The adoption to the different head sizes is done by different shells, different thickness of the size liner, and different thickness of the comfort padding.  
The helmet is fitted with 1 visor with separate approval and with 1 sun shield.  
The visor type: V-VENOM (approved number: E11 060783), made of Polycarbonate (PC), and a thickness of 2.0 mm.  
The sun shield type: P2S is tinted, made of Polycarbonate (PC), and a thickness of 2.0 mm.

	Type	DARKSOME
	Page	2 of 25

ADDITIONAL INFORMATION

~~Helmet without lower face cover (J) / with protective lower face cover (P) / with non protective lower face cover (NP) / with detachable or movable lower face cover (P/J)~~ : P/J

Type of visor or visors : V-VENOM

~~Types of helmet to which the visor may be fitted~~

Name and address of assembly plant : FOSHAN CITY NANHAI YONGHENG HELMET MANUFACTURING CO., LTD.

Yannan Industrial Area, Longgao Road, Jiujiang Town, Nanhai, Foshan City, Guangdong, China

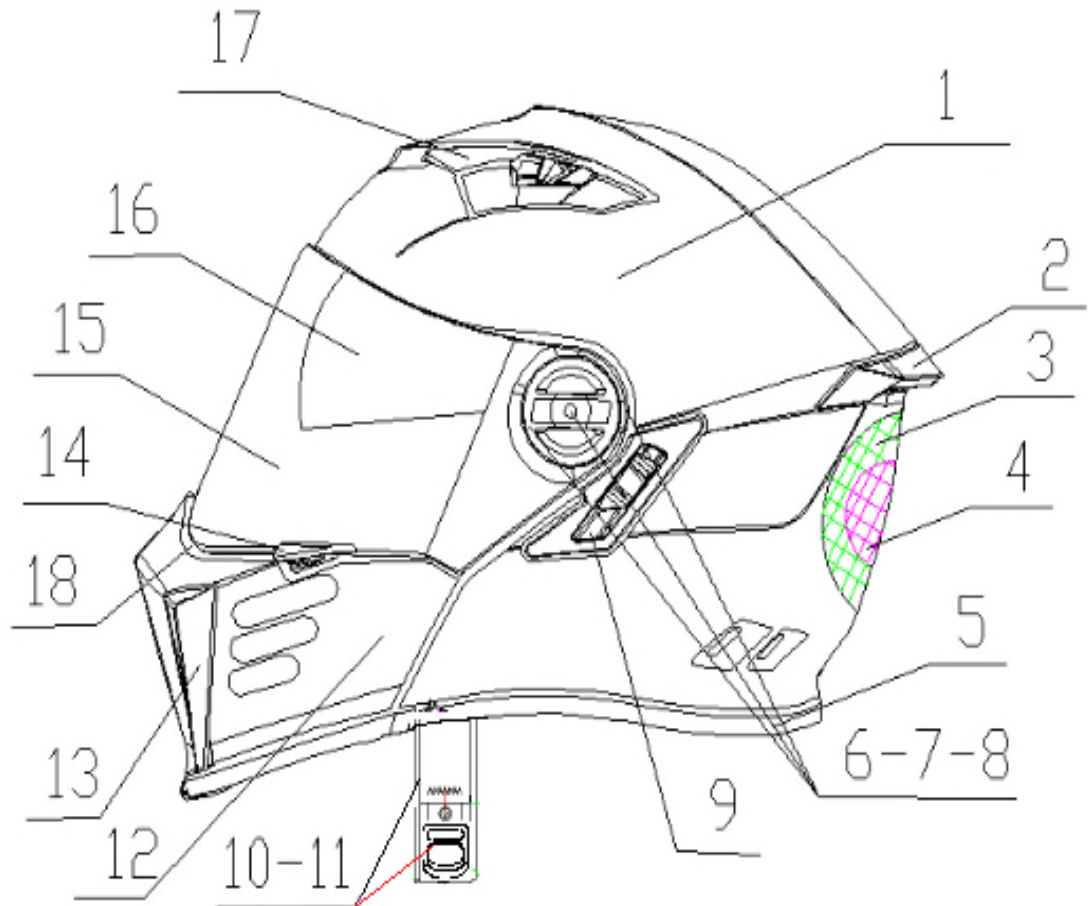
Applicable regulation : UN-Reg. No. 22, 06 series of amendments, Supply.

NOTE:

<sup>1</sup> strike through where not applicable

R22 E1\*22R06/02\*300953\*00

	Type	DARKSOME
	Page	3 of 25



DRW.

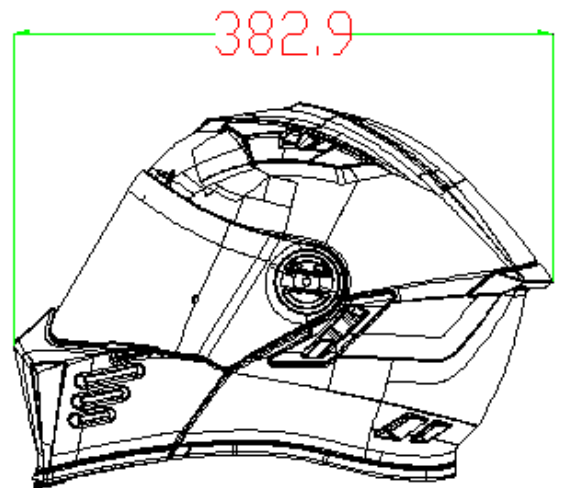
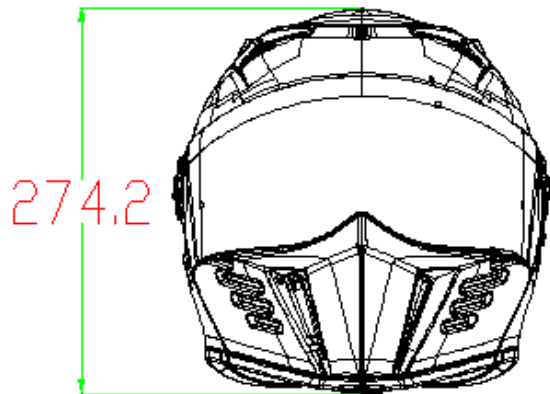
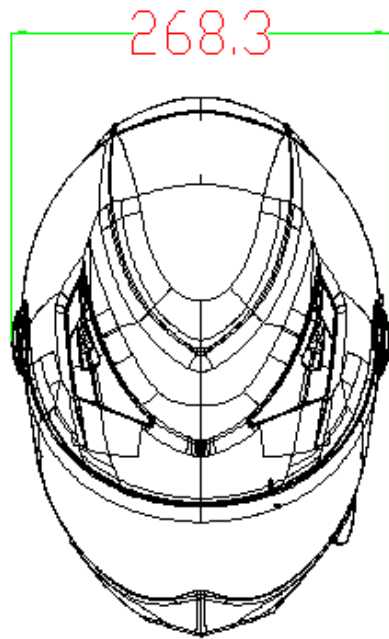
DARKSOME-01

Assembly Drawing

	Type	DARKSOME
	Page	4 of 25

Part No.	Subject or name	Material
1	Shell	COMPOSITE
2	Rear air vent	ABS
3	Comfort padding	Compound sponge and cloth
4	Protective padding	Expanded polystyrene
5	Lower rubber trim	PVC
6	Screw	Metal
7	Visor base	POM
8	Knob	ABS
9	Switch	POM
10	Chin Strap	Nylon
11	Buckle	Iron
12	Chin guard	ABS
13	Mouth air vent	ABS
14	The lens lock	POM
15	Visor	PC
16	Sun shield	PC
17	Front upper vent	ABS
18	Upper rubber trim	PVC
		<b>Material list of parts</b>

	Type	DARKSOME
	Page	5 of 25

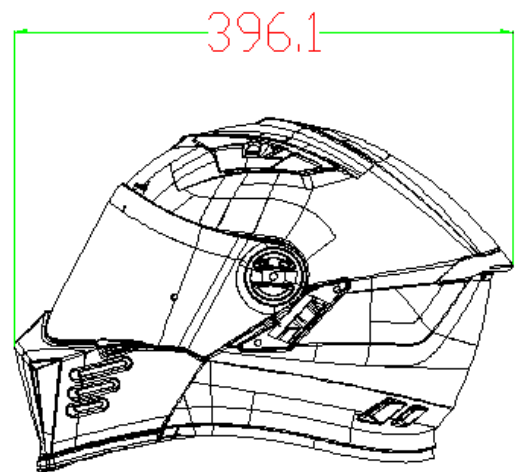
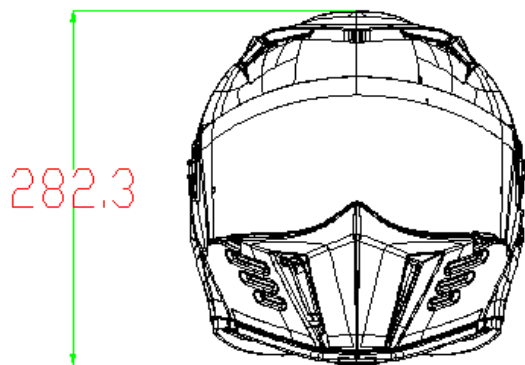
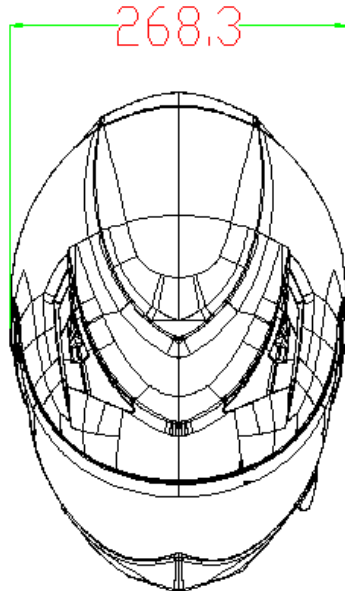


DRW.	DARKSOME-02 for XS-S	Helmet section view
------	-------------------------	---------------------

	Type	DARKSOME
	Page	6 of 25

R22 E1\*22R06/02\*300953\*00

R22 E1\*22R06/02\*300953\*00



DRW.	DARKSOME-02 for M-XXL	Helmet section view
------	--------------------------	---------------------

	Type	DARKSOME
	Page	7 of 25

## Dimension and weight

### 1. Dimension of the shell:

SIZE	Length (mm)	Width (mm)	Height (mm)
XS-S	382.9	268.3	274.2
M-XXL	396.1	268.3	282.3

### 2. Total weight of the helmet:

Size	Weight (g)	Tolerance (g)
XS	1600	±50
S	1600	±50
M	1650	±50
L	1650	±50
XL	1650	±50
XXL	1650	±50

### 3. Specific gravity of the impact absorption liner

Size	Specific gravity of size liner (kg/m <sup>3</sup> )	Specific gravity of side liner (kg/m <sup>3</sup> )	Specific gravity of crown liner (kg/m <sup>3</sup> )	Specific gravity of chin guard (kg/m <sup>3</sup> )
XS	40	70	35	80
S	40	70	35	80
M	50	80	35	80
L	50	80	35	80
XL	50	80	35	80
XXL	50	80	35	80

	Type	DARKSOME
	Page	8 of 25



**Impact absorption material thickness in millimeter, SHELL**

Size	Section B-Point	Section P-Point	Section R-Point	Section X-Point	Lower Face cover
XS	2.5	2.5	2.46	2.5	2.8
S	2.5	2.5	2.46	2.5	2.8
M	2.51	2.51	2.51	2.49	2.8
L	2.51	2.51	2.51	2.49	2.8
XL	2.51	2.51	2.51	2.49	2.8
XXL	2.51	2.51	2.51	2.49	2.8

**Impact absorption material thickness in millimeter, LINER**

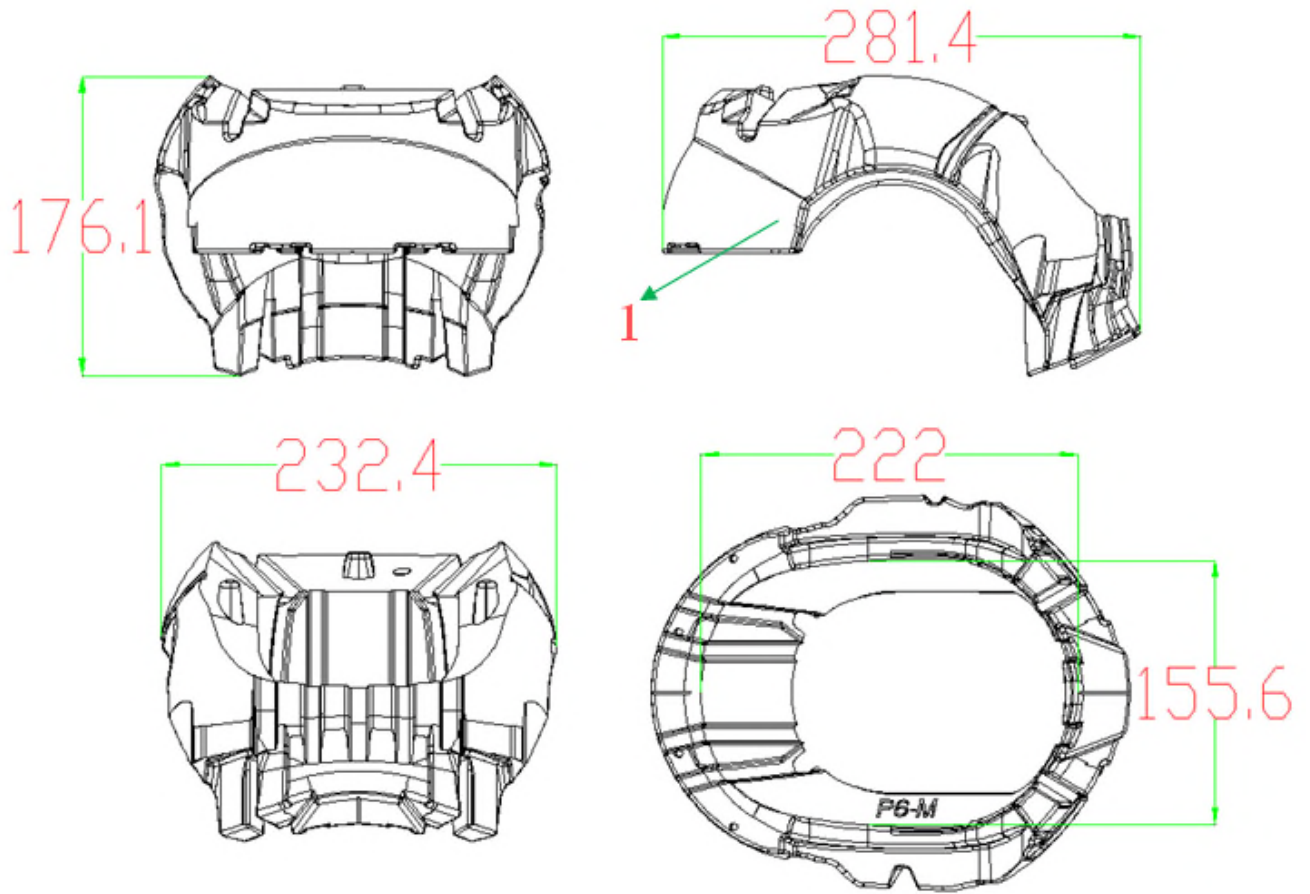
Size	Section B-Point	Section P-Point	Section R-Point	Section X-Point	Section S-Point
XS	36	41	30	40	21
S	36	41	30	40	21
M	32	37	34	39	21
L	32	37	34	39	21
XL	32	37	34	39	21
XXL	32	37	34	39	21

**Impact absorption material thickness in millimeter, LINING**

Size	Section B-Point	Section P-Point	Section R-Point	Section X-Point	Side Part Lining
XS	18	16	18	18	20
S	14	16	14	14	15
M	20	16	20	20	10
L	16	12	16	16	15
XL	12	12	12	12	12
XXL	10	12	10	10	10

Type DARKSOME

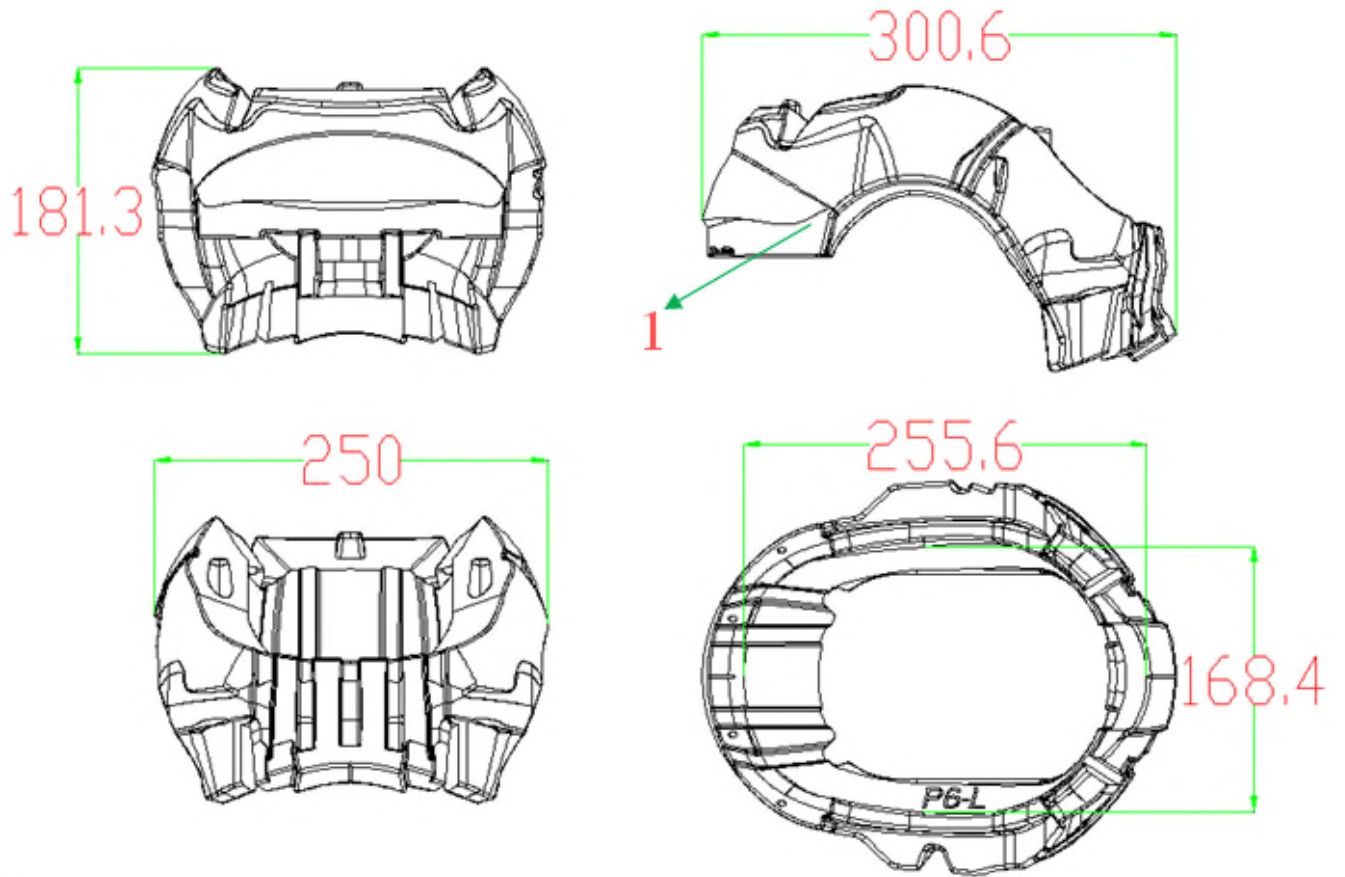
Page 9 of 25



R22 E1\*22R06/02\*300953\*00

DRW.	DARKSOME-03 for XS-S	EPS details
------	-------------------------	-------------

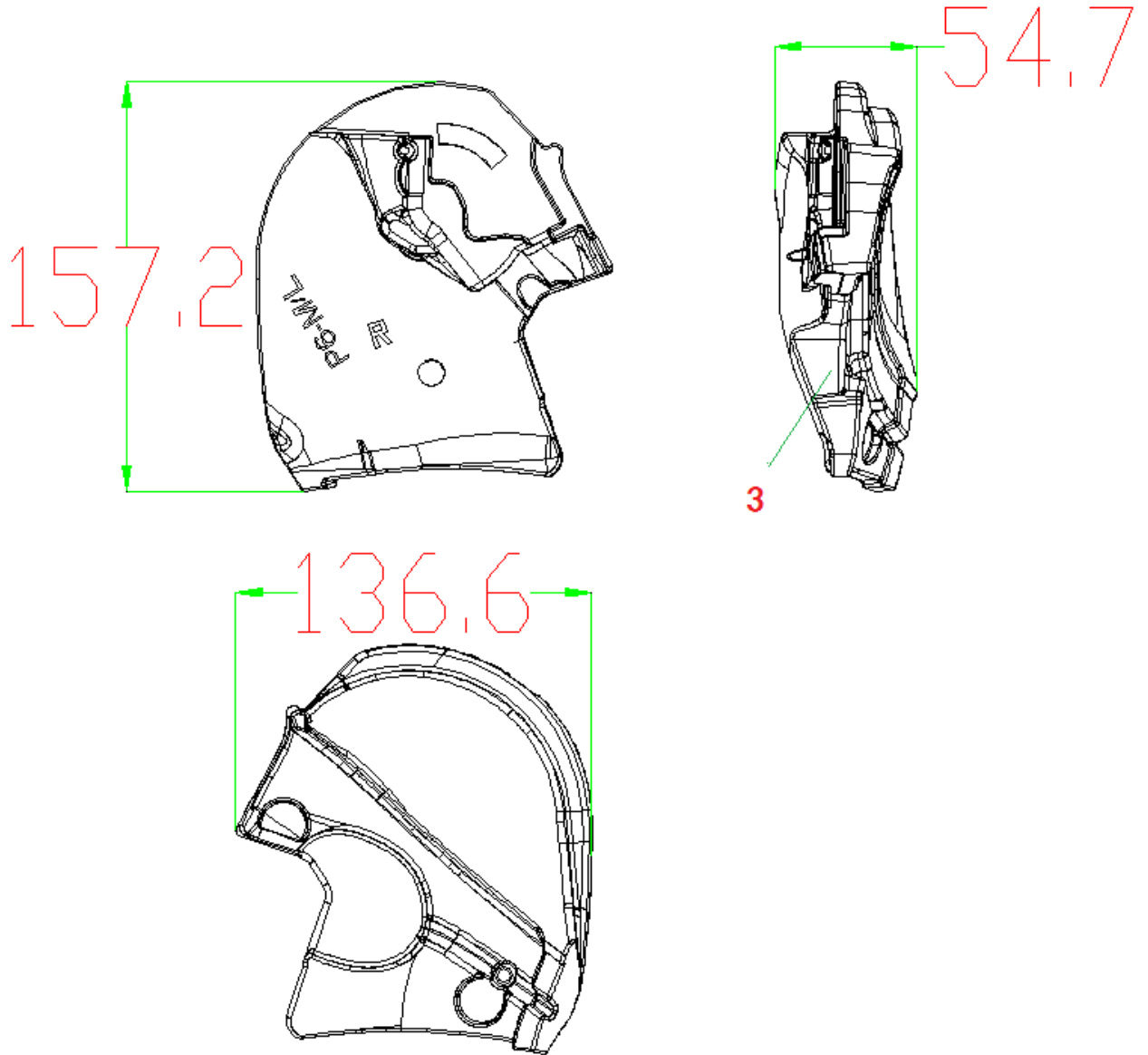
	Type	DARKSOME
	Page	10 of 25



R22 E1\*22R06/02\*300953\*00

DRW.	DARKSOME-03 for M-XXL	EPS details
------	--------------------------	-------------

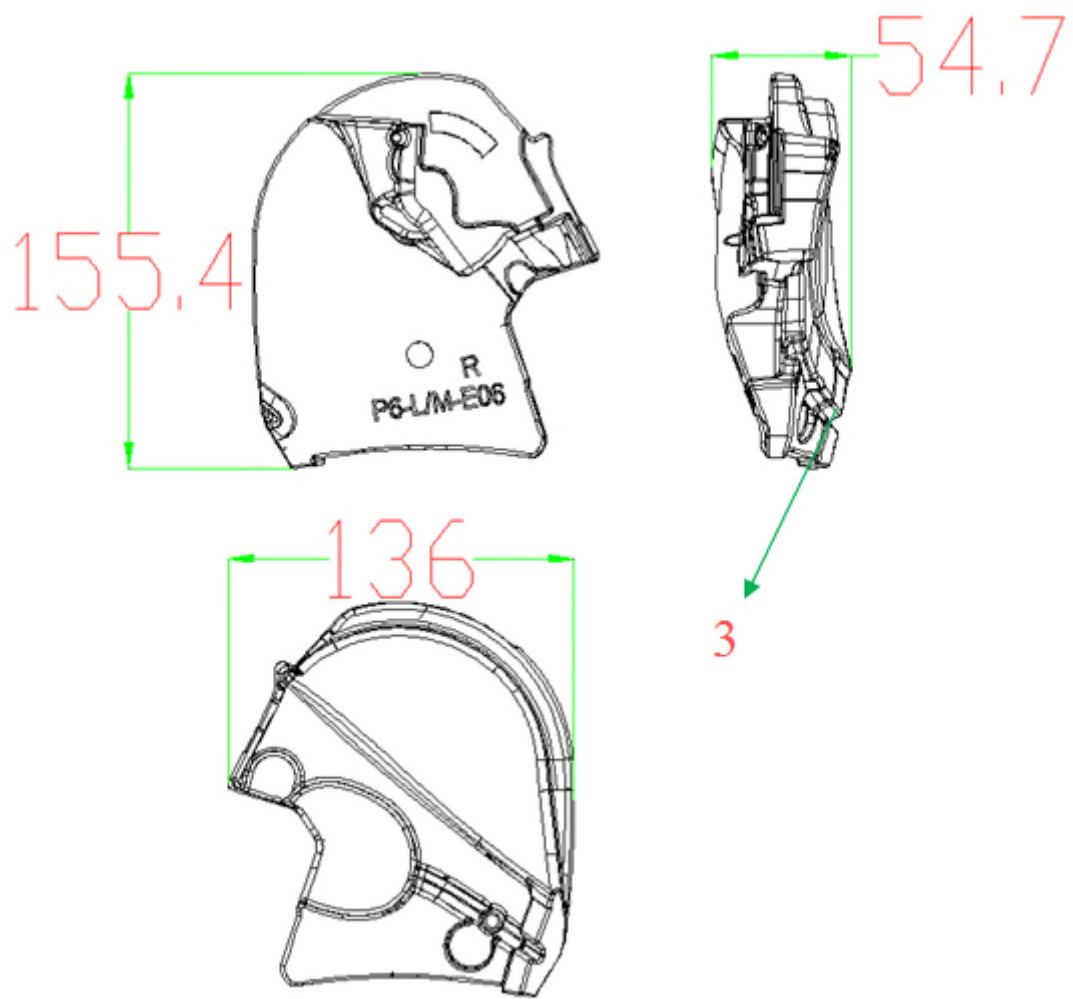
	Type	DARKSOME
	Page	11 of 25



R22 E1\*22R06/02\*300953\*00

DRW.	DARKSOME-03 for XS-S	EPS details
------	-------------------------	-------------

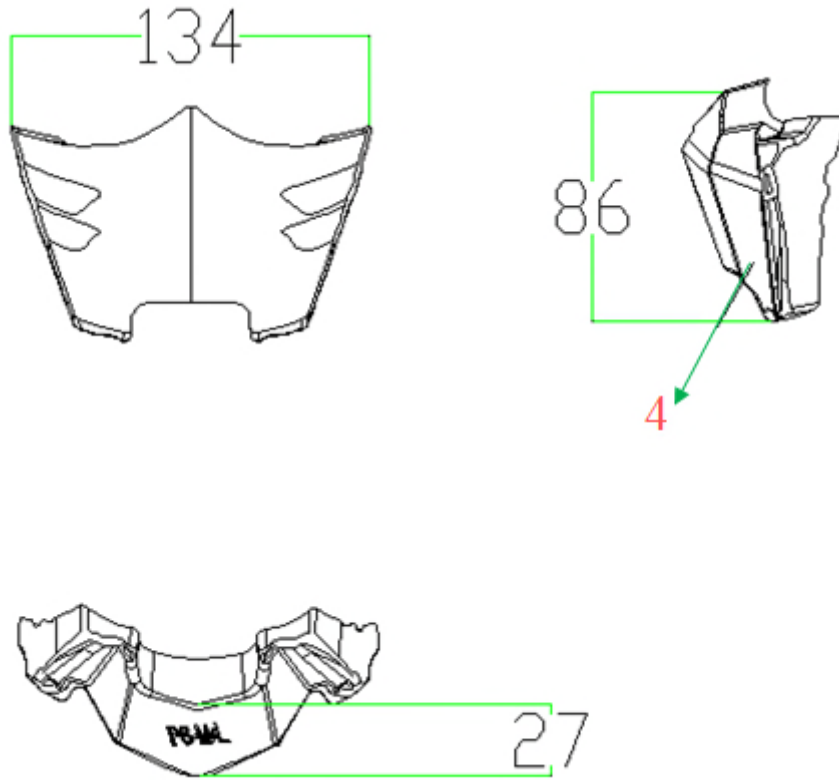
	Type	DARKSOME
	Page	12 of 25



DRW.	DARKSOME-03 for M-XXL	EPS details
------	--------------------------	-------------

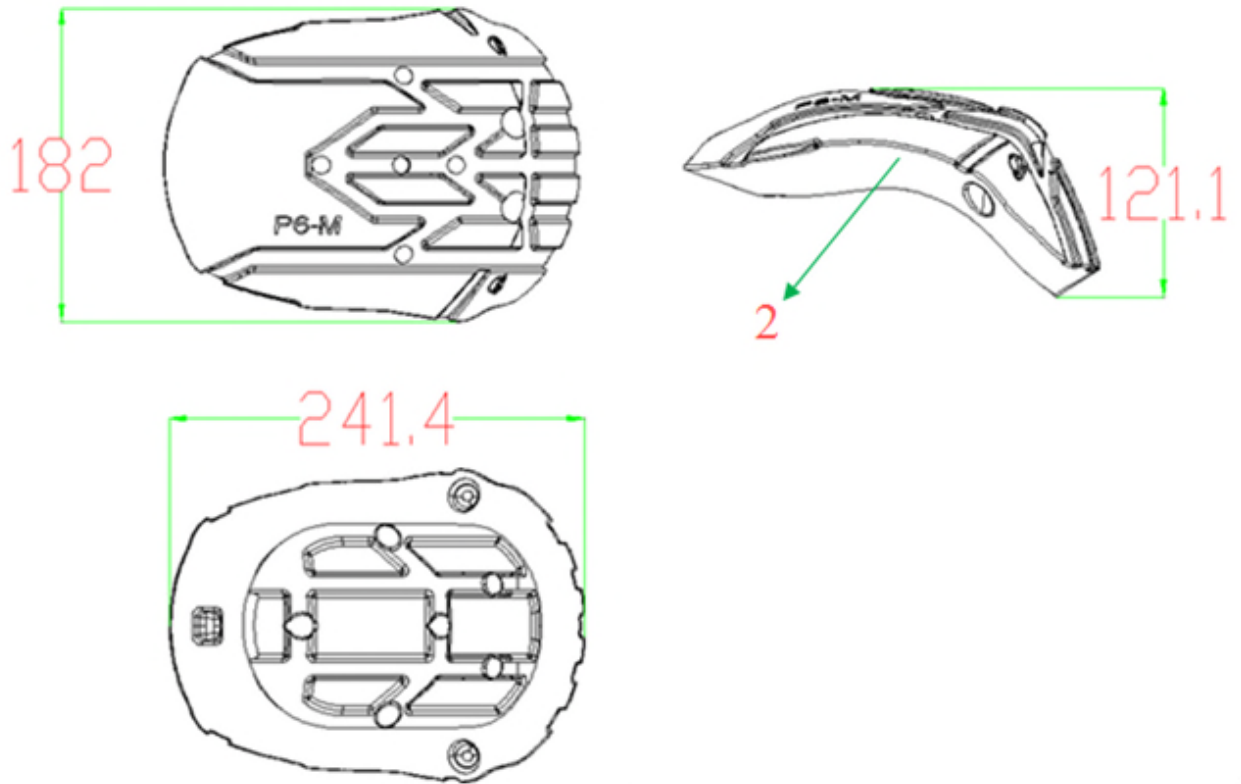
	Type	DARKSOME
	Page	13 of 25

R22 E1\*22R06/02\*300953\*00



DRW.	DARKSOME-03 for XS-XXL	EPS details
------	---------------------------	-------------

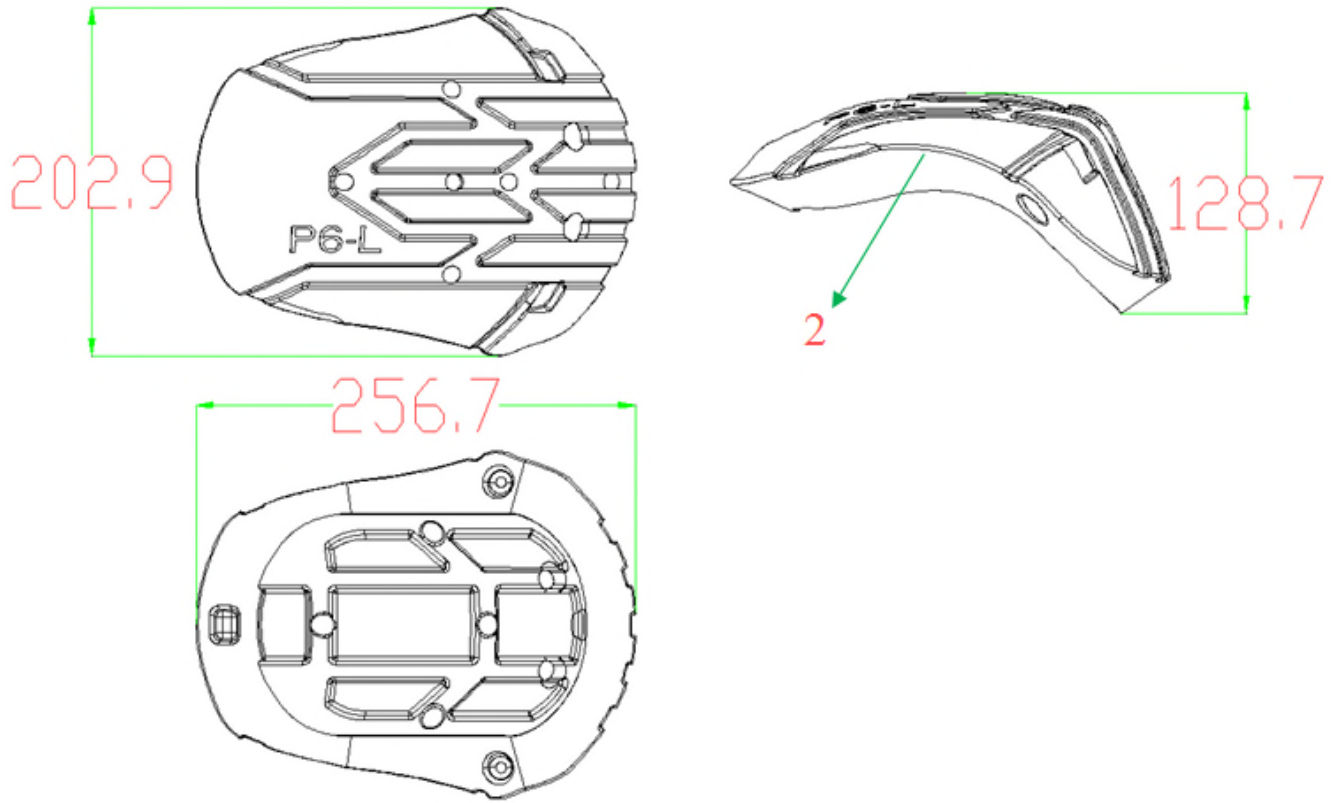
	Type	DARKSOME
	Page	14 of 25



R22 E1\*22R06/02\*300953\*00

	DRW.	DARKSOME-03 for XS-S	EPS details
--	------	-------------------------	-------------

	Type	DARKSOME
	Page	15 of 25

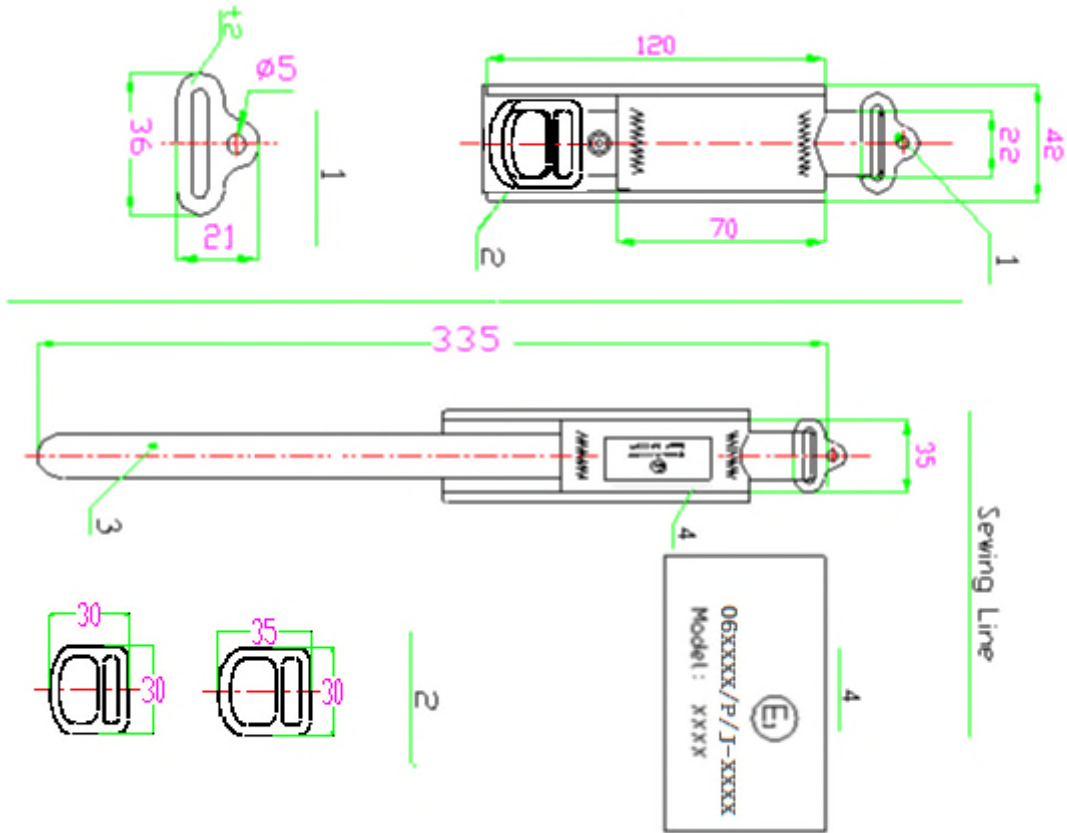


R22 E1\*22R06/02\*300953\*00

DRW.	DARKSOME-03 For M-XXL	EPS details
------	--------------------------	-------------

	Type	DARKSOME
	Page	16 of 25



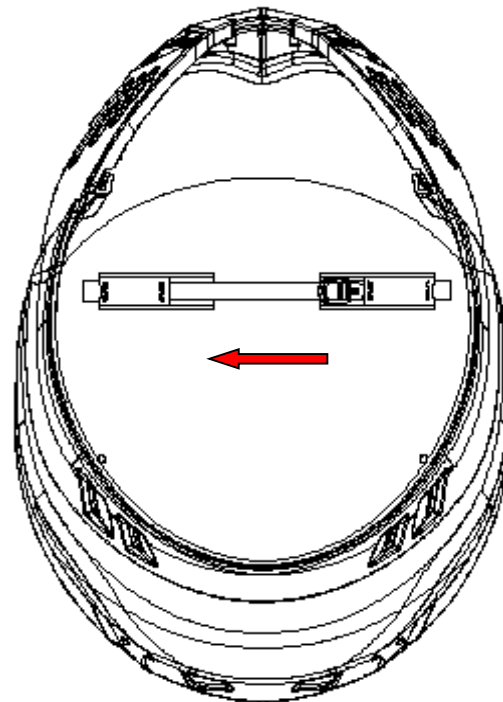
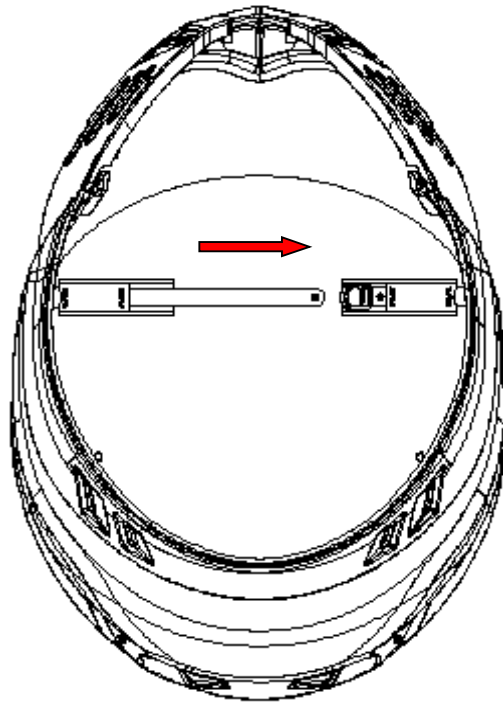


**Remark:**

The retention system is the same system used in helmet type: P6, which approved No.: E1 05300691

Part No.	Subject or name	Material
1	Hinge	Steel
2	Double "D" ring	Steel
3	Chin Strap	Nylon
4	ECE Marking	Cloth
	<b>DRW.</b>	<b>DARKSOME-04</b>
		<b>Retention system</b>

	Type	DARKSOME
	Page	17 of 25



DRW.

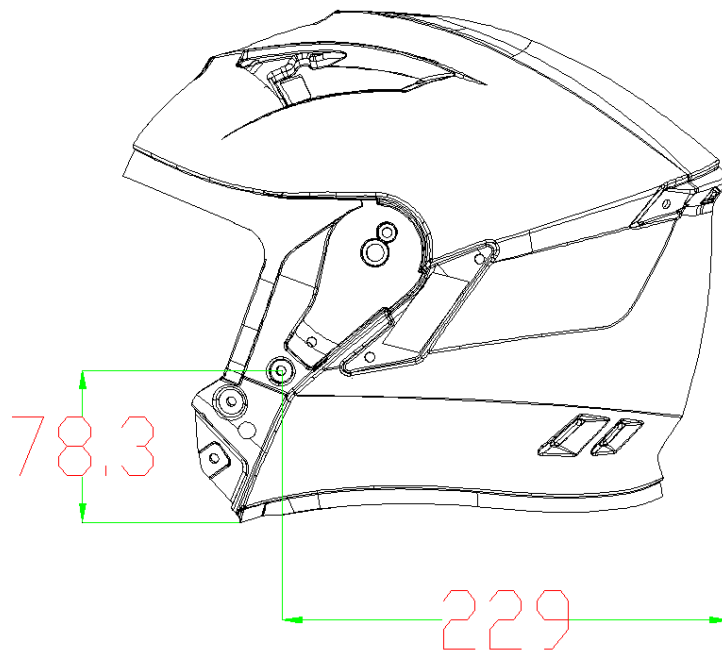
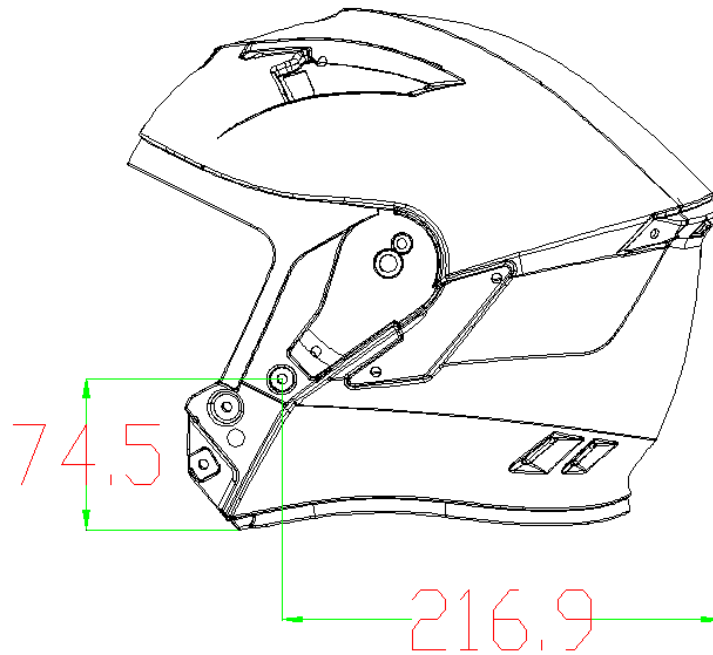
DARKSOME-05

Retention system, chin strap operation

Type DARKSOME

Page 18 of 25

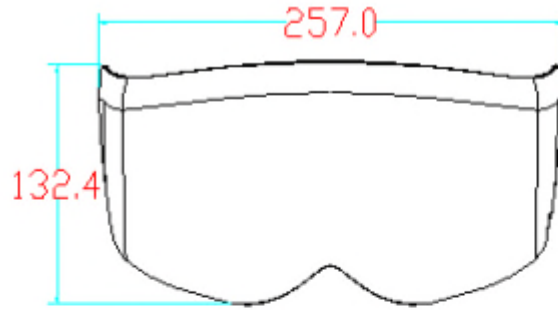
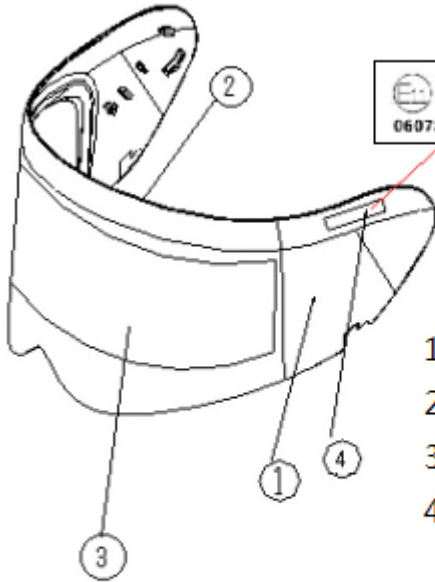
R22 E1\*22R06/02\*300953\*00



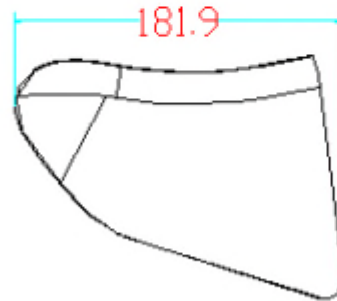
DRW.	DARKSOME-06 for XS-S	Retention system, position details
------	----------------------	------------------------------------

	Type	DARKSOME
	Page	19 of 25

R22 E1\*22R06/02\*300953\*00



- 1 Material: PC
- 2 Thickness: 2 mm
- 3 Visor protective: film
- 4 ECE marking

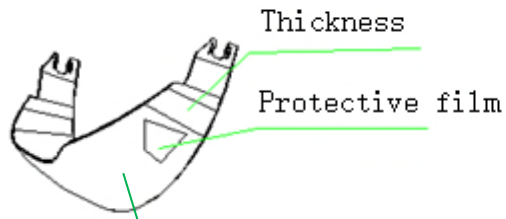
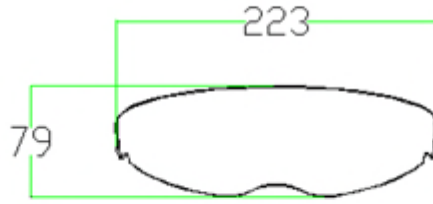


**Remark:**  
Visor type: V-VENOM, approved No.: E11 060783

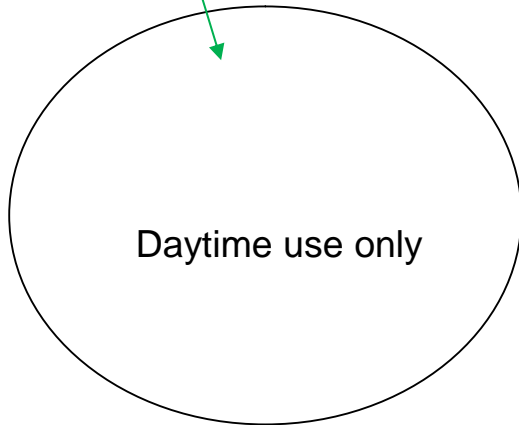
DRW.	DARKSOME-07	Drawing and details for visor
------	-------------	-------------------------------

	Type	DARKSOME
	Page	20 of 25

R22 E1\*22R06/02\*300953\*00



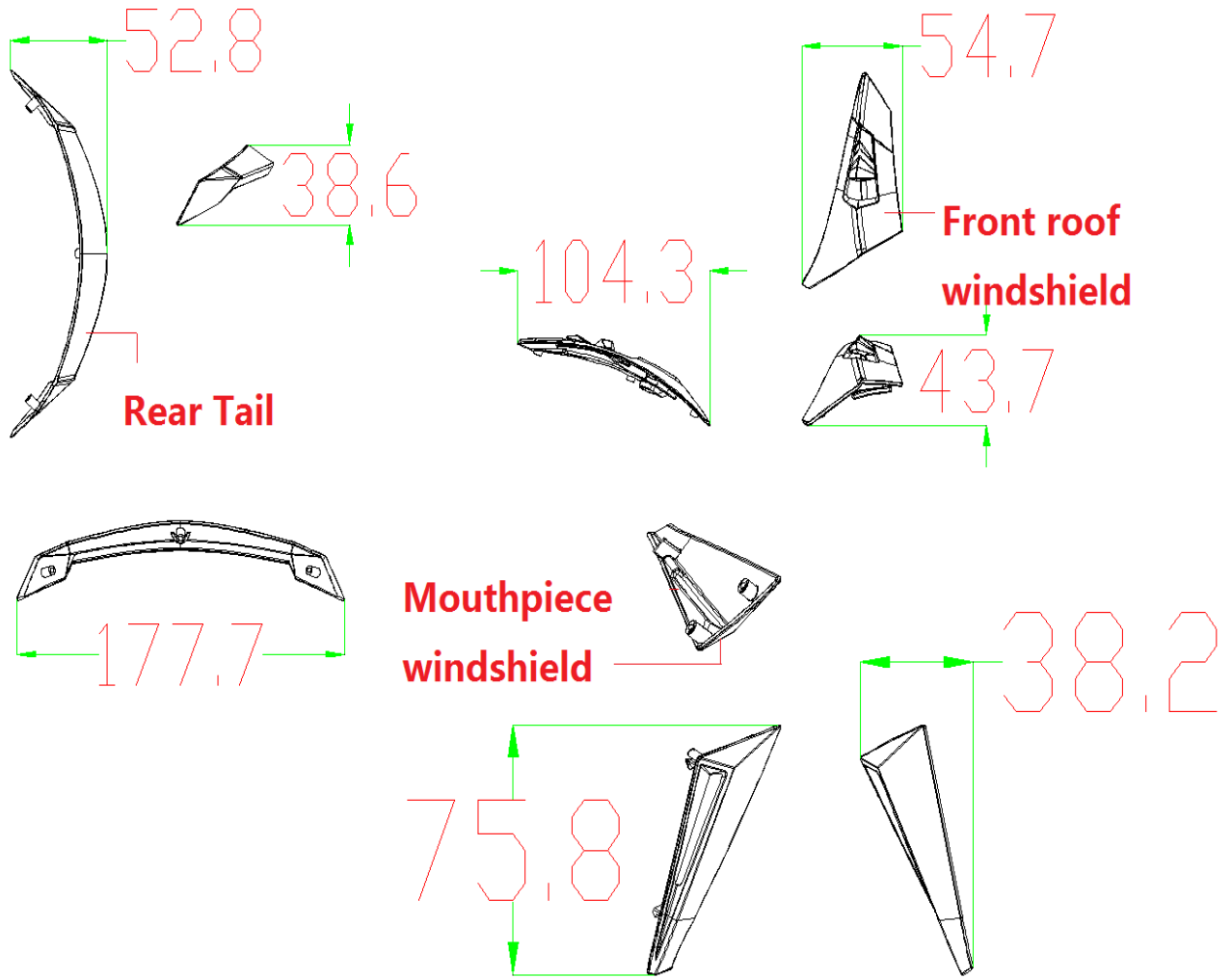
- 1. Material: PC
- 2. Thickness: 2mm
- 3. Visor protective film



DRW.	DARKSOME-08	Drawing and details for Sun Shield
------	-------------	------------------------------------

	Type	DARKSOME
	Page	21 of 25

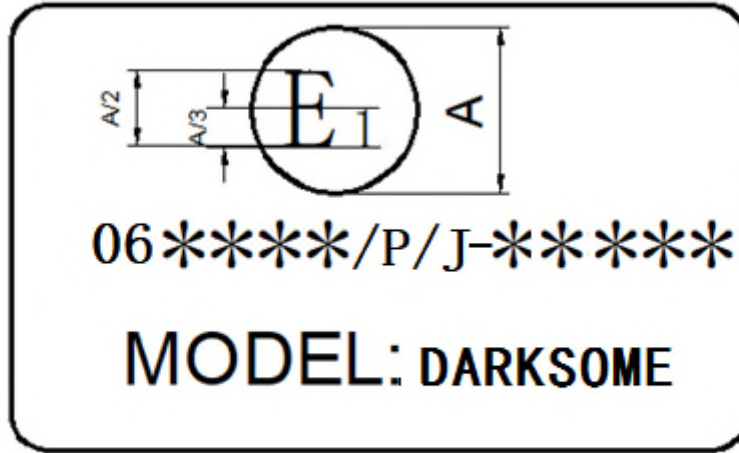
R22 E1\*22R06/02\*300953\*00



DRW.	DARKSOME-09	Accessories
------	-------------	-------------

	Type	DARKSOME
	Page	22 of 25

R22 E1\*22R06/02\*300953\*00



**A= 8**

**HELMET TYPE: DARKSOME**  
**COLOR OF LABEL:WHITE**  
**COLOR OF PRINT:BLACK**  
**MATERIAL OF LABEL:CLOTH**

**DRW.**

**DARKSOME-10**

**Approval marking(s)**

	Type	DARKSOME
	Page	23 of 25

**Front View**



**Back View**



**Side View**



**Top View**



**DRW.**

**DARKSOME-11**

**Helmet assembly pictures  
(P configuration)**

	Type	DARKSOME
	Page	24 of 25

R22 E1\*22R06/02\*300953\*00



**Front View**



**Back View**



**Side View**



**Top View**



R22 E1\*22R06/02\*300953\*00

**DRW.**

**DARKSOME-12**

**Helmet assembly pictures  
(J configuration)**

	Type	DARKSOME
	Page	25 of 25